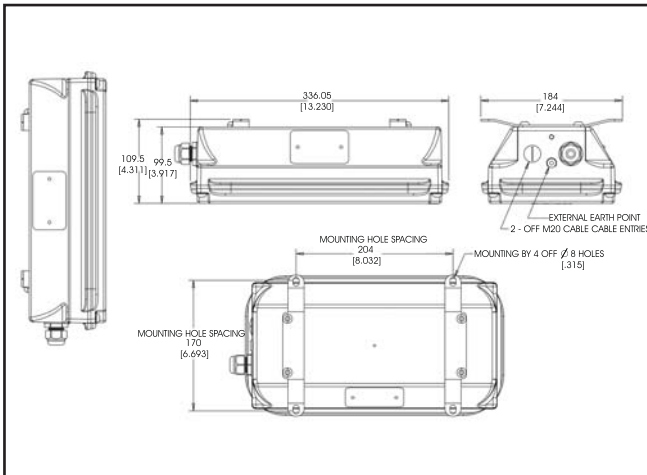




SafeSite™ Series LED Bulkhead Luminaire



Dimensions in mm [Inches]

Certifications & Ratings:

- ▷ Ex II 2G D Ex d e mb IIC T6 Gb
- ▷ Ex tb IIIC T85° Db IP66/67
- ▷ Certificate numbers: IECEx BAS10.0051X
Baseefa 10ATEX0092X
- ▷ Temperature Ratings: T6: -40°C to 50°C
T5: -40°C to 60°C
- ▷ CE compliant
- ▷ ATEX Zones 1 & 21 and 2 & 22
- ▷ IP66 & IP67 rated
- ▷ IK04 rated
- ▷ RoHS compliant
- ▷ UL844 (wet locations)(pending)

Features & Benefits:

- ▷ Low power consumption
- ▷ Instant on/off operation
- ▷ Mercury Free
- ▷ Resistant to shock and vibration
- ▷ 70% lumen maintenance over 60,000 operating hours

Ordering Code:

Example: WPA- 4N3H-FLGC

Product Family	Optic	*LED Colour	Voltage	LED Quantity	Bracket	Finish	Glazing
WPA	2 = Wide (30° full)	N = Neutral White	3 = 100-277 VAC	C = 9 LEDs	A = Angle Bracket	LG = Light Grey	C = Clear Glass
	4 = Oval (35° x 55°)	C = Cool White		H = 18 LEDs	F = Flush Bracket		F = Frosted Glass
					N = No Bracket		

*Consult factory for additional colour requests

Application:

The Dialight SafeSite® LED Bulkhead luminaire with its low profile, rugged design ensures long life and high reliability for a wide variety of ATEX Zone 1 or 21 applications. Offered in 11 watt and 22 watt versions, it is ideally suited for oil platforms, explosive environments, mills, chemical plants and other hazardous environments. The product can be supplied with a flush mounting bracket, a 30° angled bracket, or no bracket to enable direct mounting.

Mechanical Information:

Fixture Weight: 4.75 kg (10.5 lb)
Cable Entry: Two M20 x 1.5 drilled and tapped with blank out plugs

Electrical specifications:

Operating Voltage: 100-277 VAC, 50/60 Hz
Input Current: 200mA at 100V / 100mA at 230V (Typical)
Input (W): 11W or 22W
Operating Temp: -40°C to +60°C (-40°F to +140°F)
Noise Requirements / EMC: FCC Title 47, Subpart B, Section 15, class B device. RF Immunity; 10V/m, 80MHz-1GHz
Harmonics: IEC 61000-3-2: 2006
Surge Protection: 1 kV line to line
2 kV line to ground
Power Factor: > 0.9

Materials:

Housing: Copper free aluminium cast
Finish: Light grey epoxy powder coated (RAL7001)
Lens: High Impact resistant clear glass
High Impact resistant frosted glass
Mounting Brackets: Stainless steel

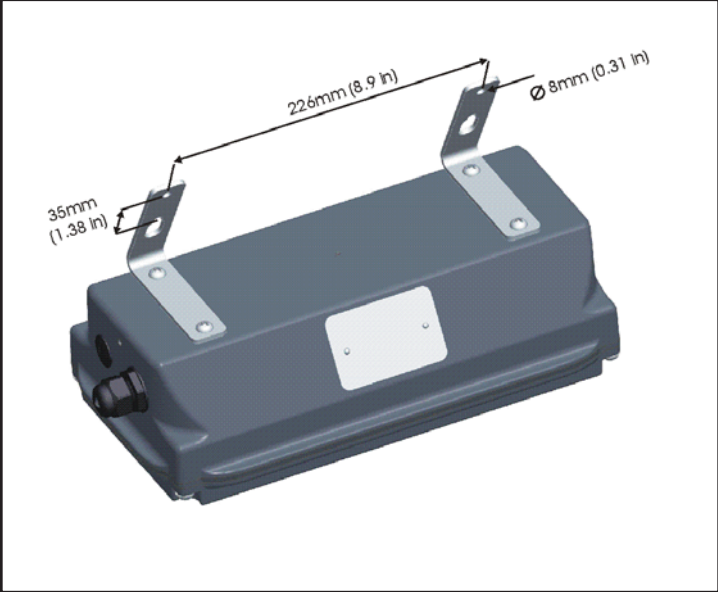
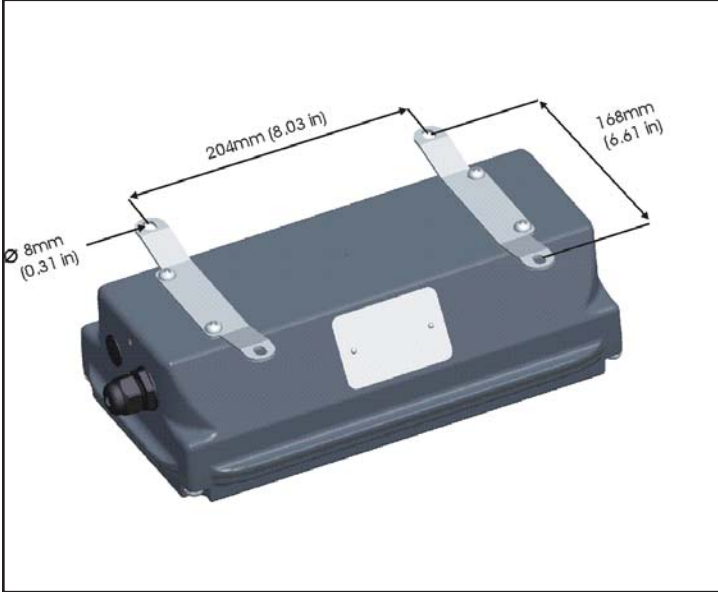
Photometric Information:

CRI (typ): > 70
CCT (typ): 4000K (neutral white)
6000K (cool white)
IES Files: Consult factory

SafeSite™ Series LED Bulkhead Mounting Bracket Options

Shown with flush mount bracket

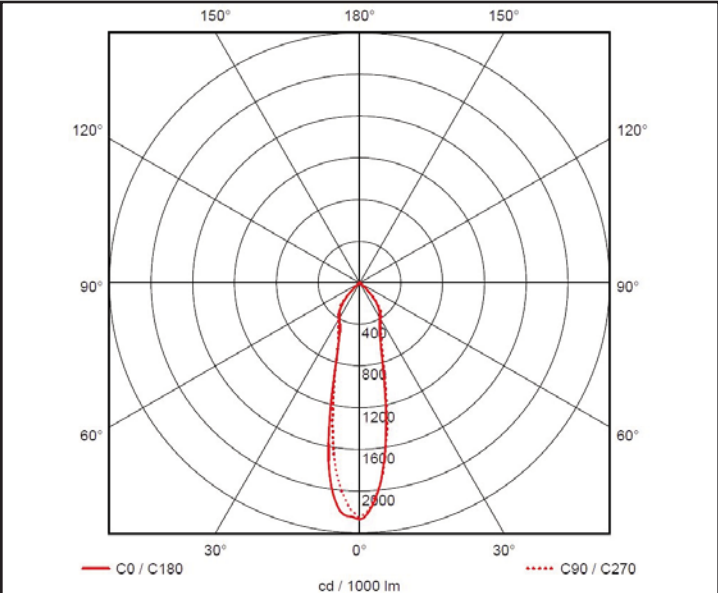
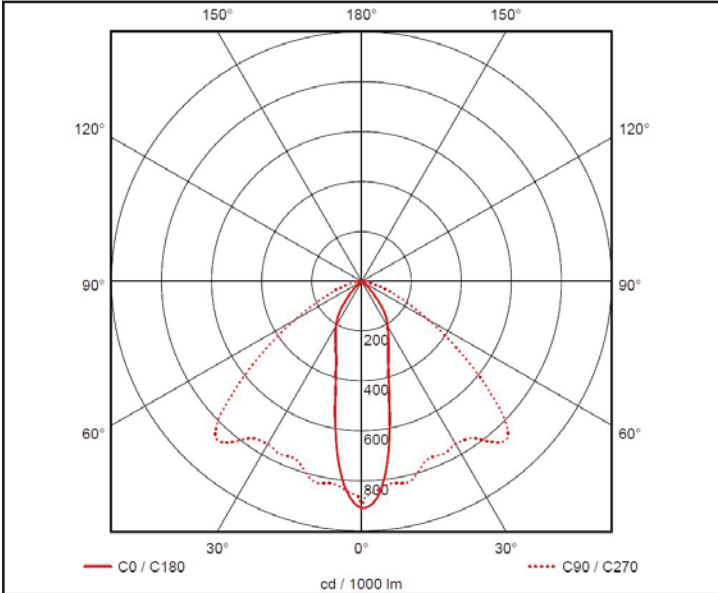
Shown with 30 degree angle bracket



SafeSite™ Series LED Bulkhead Polar Diagrams

Oval Optic

Wide Optic



Dialight reserves the right to make changes at any time in order to supply the best product possible.
 The most current version of this document will always be available at:
www.dialight.com/Assets/Brochures_And_Catalogs/Illumination/MDEXSSWPXEUHZC001.pdf

MDEXSSWPXEUHZC001_A