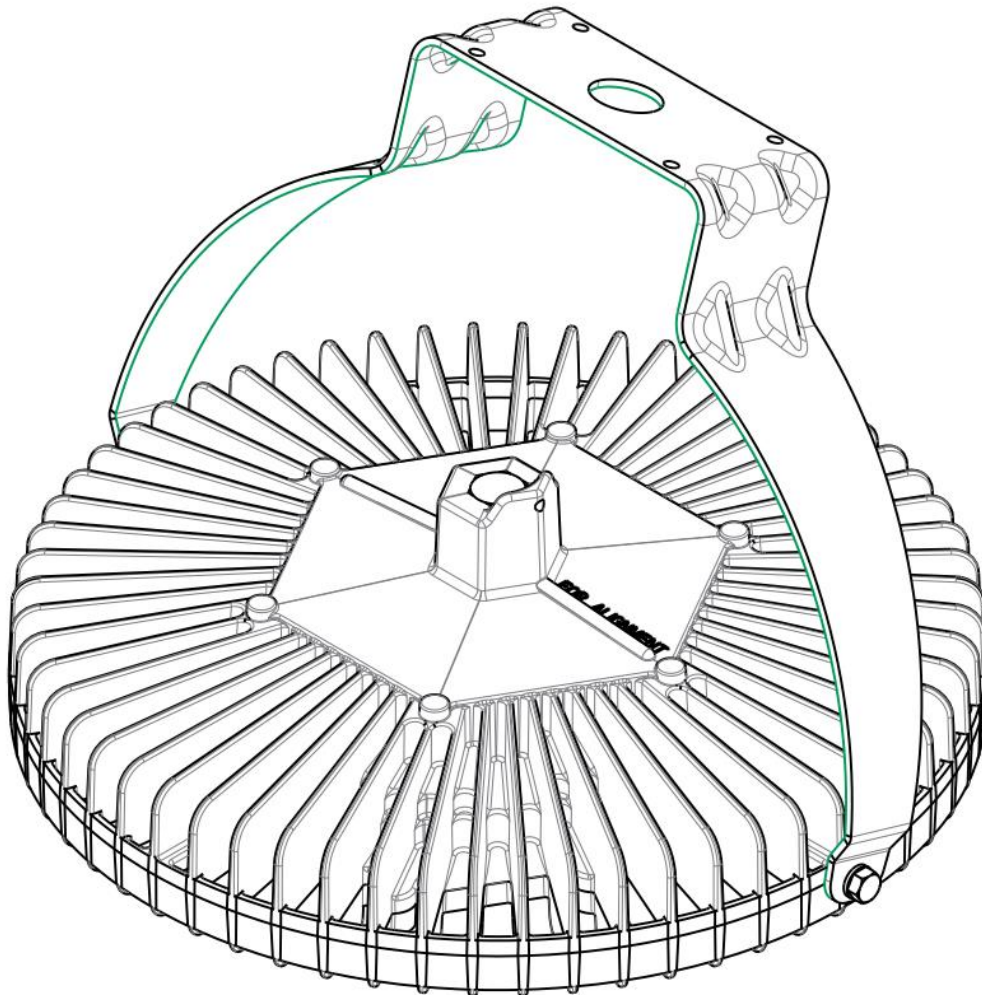


INSTALLATION AND MAINTENANCE MANUAL

Document No: 9100-127-3261-99 Rev A

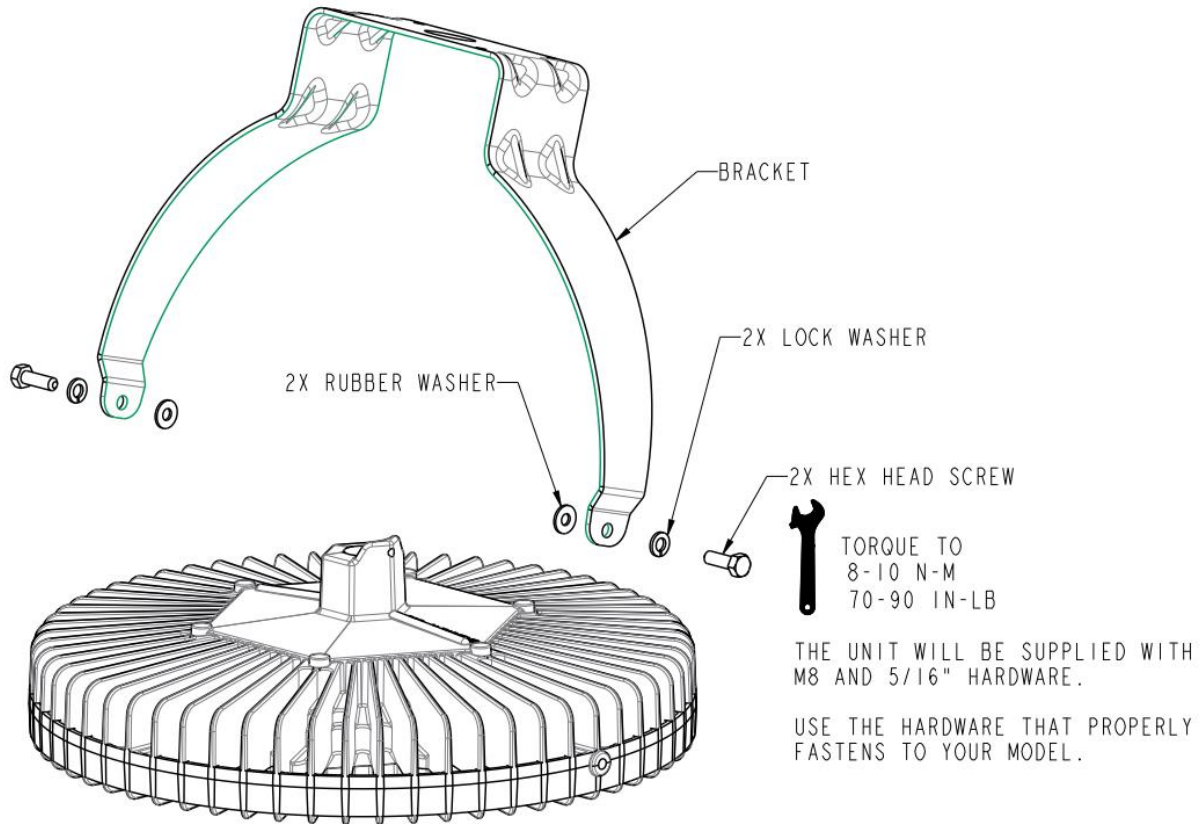
FEBRUARY 2017

IMPORTANT: Please read carefully before installation and retain for future reference

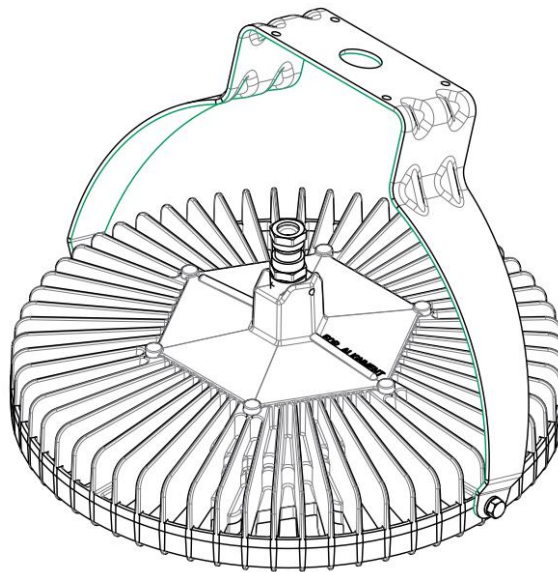


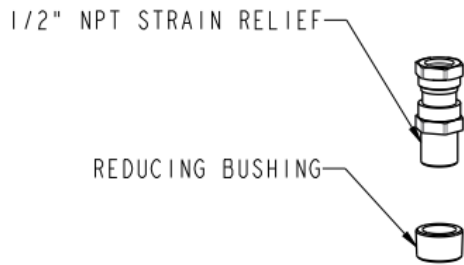
Installation instructions:

1. Install hardware loosely as shown below. Tighten to specified torque.
2. Re-torque all screws again after initially tightening them.



Cable Gland Units:





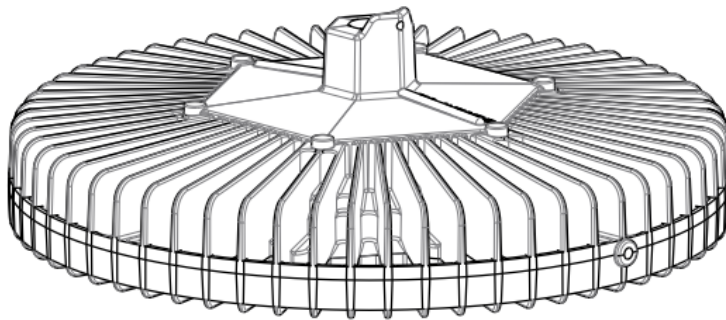
INSTALL REDUCING BUSHING INTO CASTING.

INSTALL 1/2" NPT STRAIN RELIEF INTO THE REDUCING BUSHING.

USE TEFLON TAPE OR THREAD SEALANT ON EXTERNAL THREADS OF BOTH COMPONENTS.



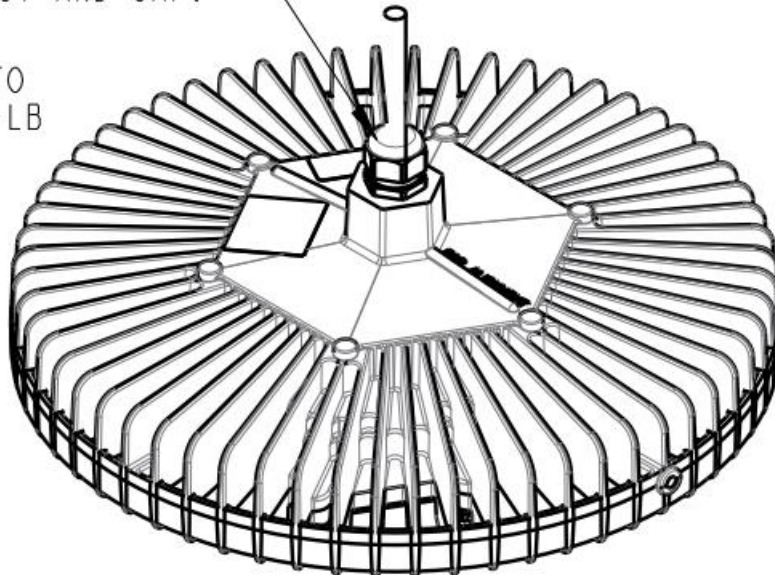
TORQUE TO
4.5-5 N-M
40-45 IN-LB



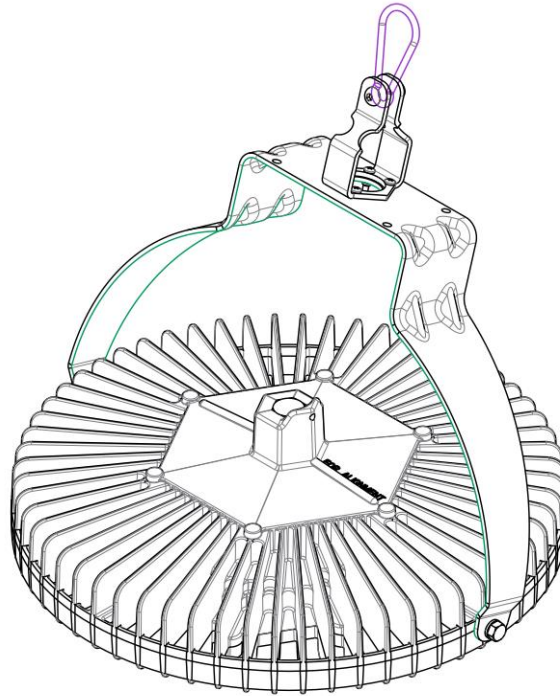
INSTALL STRAIN RELIEF.
TORQUE NUT AND CAP.



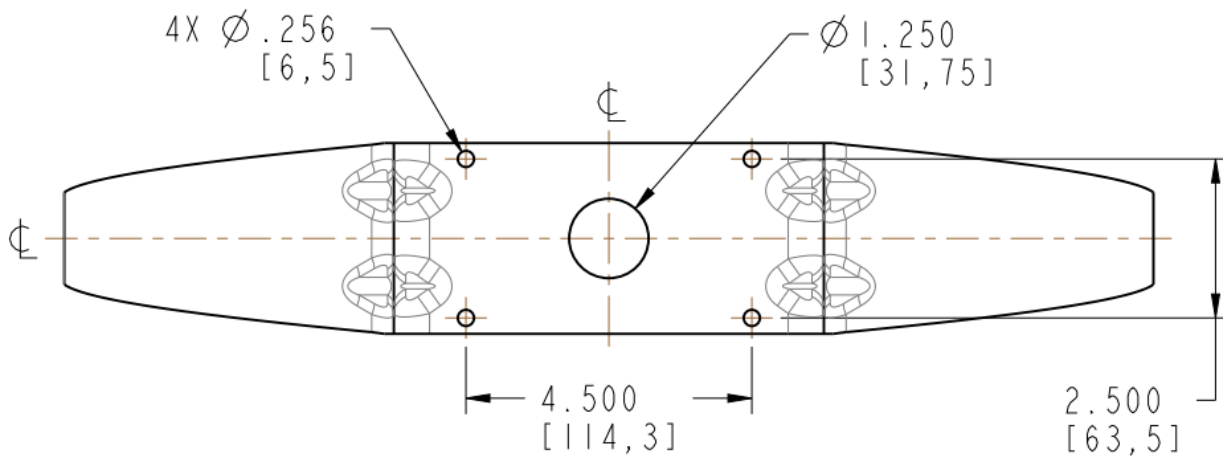
TORQUE TO
60-70 IN-LB



Hook Units:



Mounting Pattern:



All statements, technical information and recommendations contained herein are based on information and tests we believe to be reliable. The accuracy or completeness thereof is not guaranteed. In accordance with Dialight Corporation "Terms and Conditions of Sale", and since conditions of use are outside our control, the purchaser should determine the suitability of the product for his intended use and assumes all risk and liability whatsoever in connection therewith.

