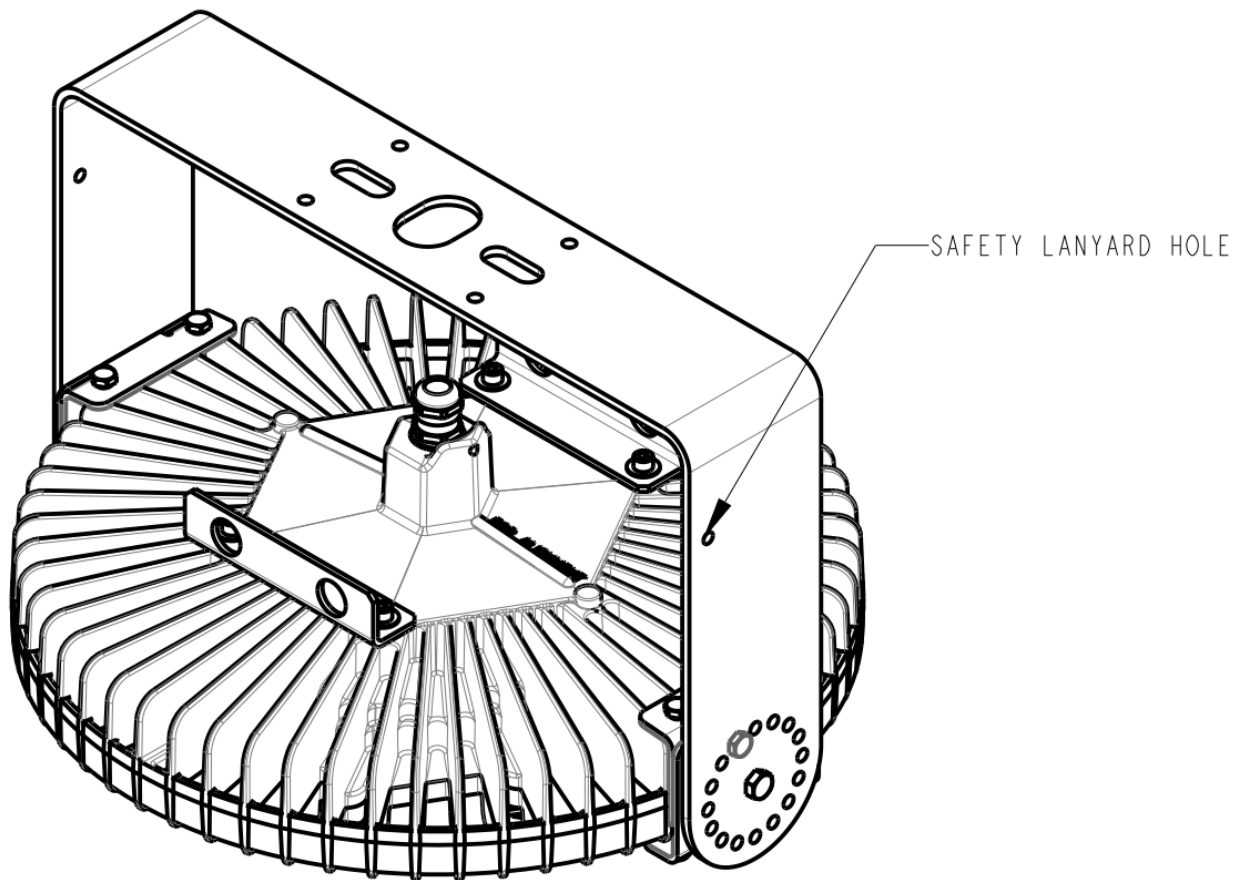
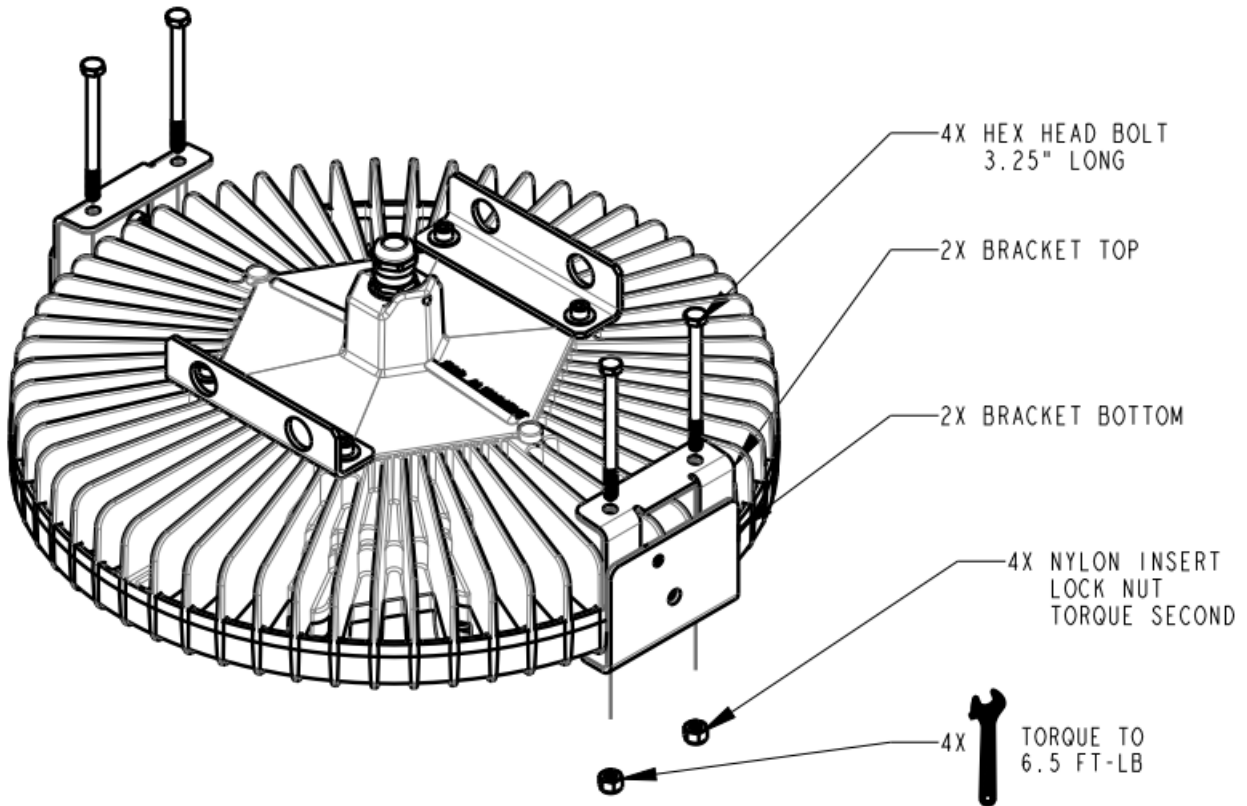


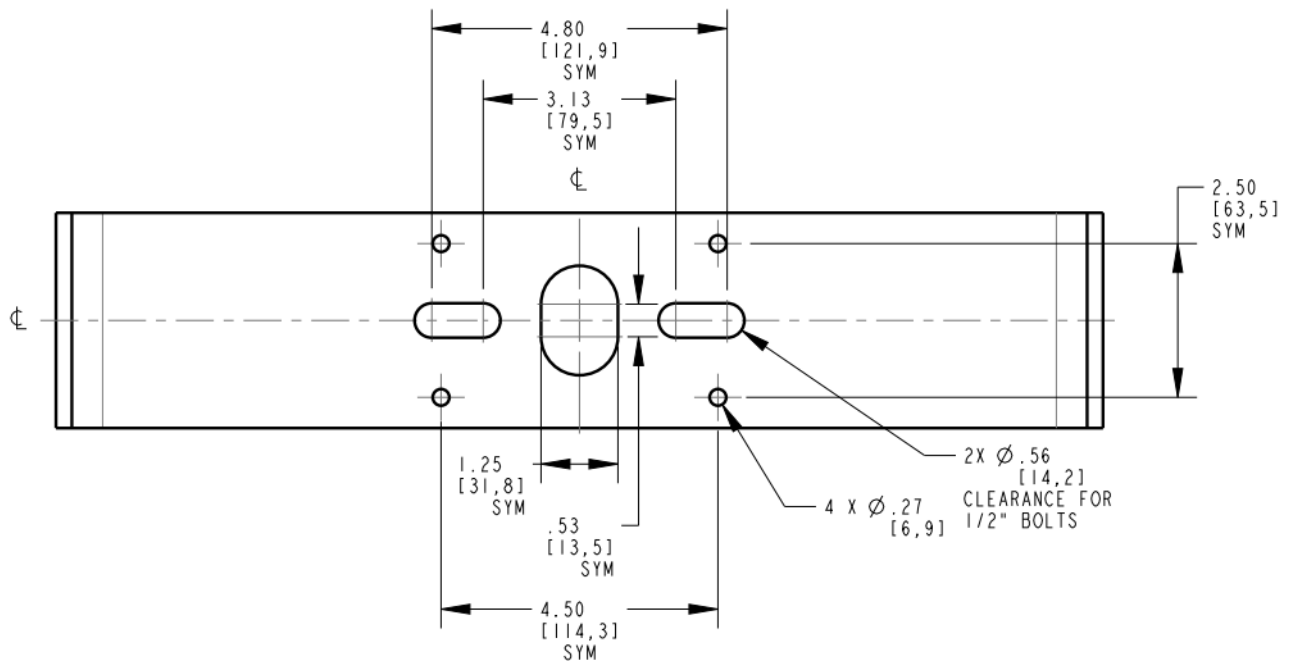
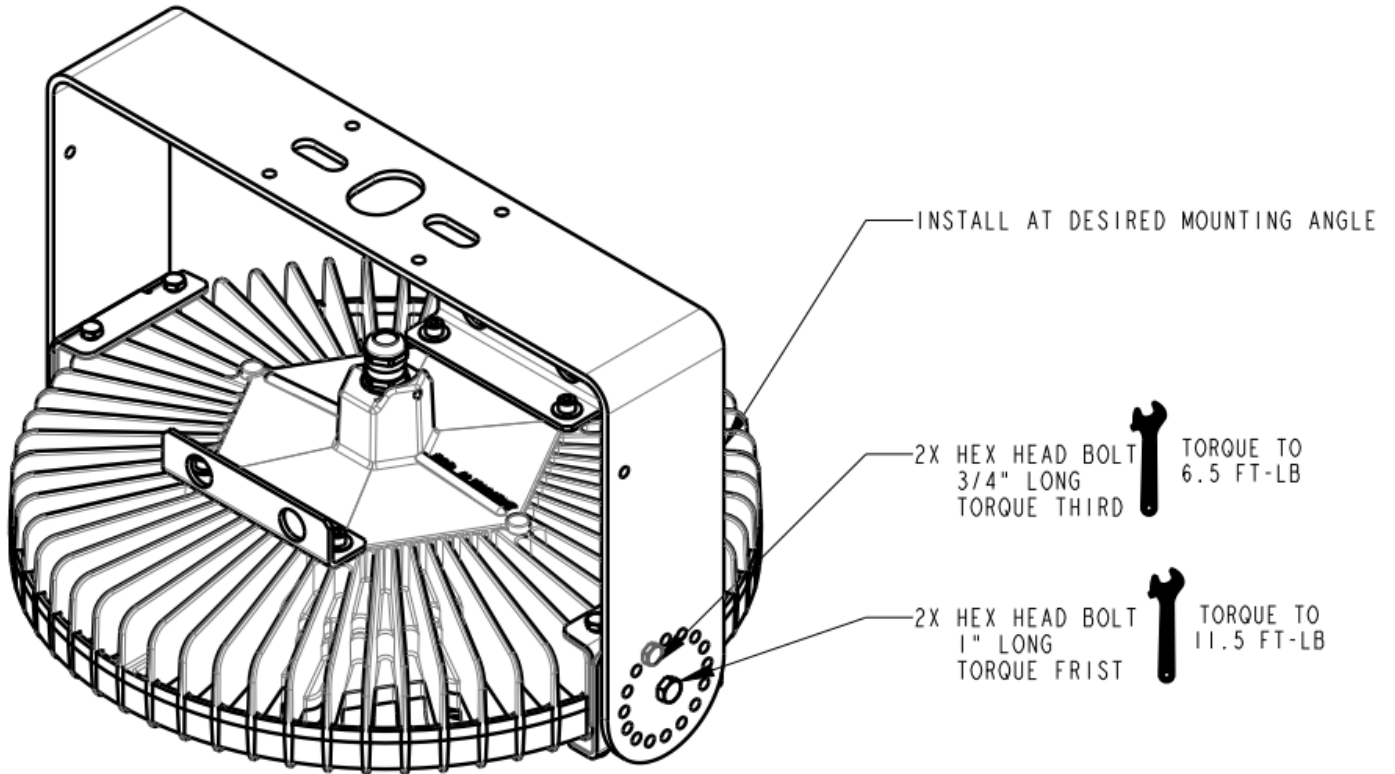
IMPORTANT: Please read carefully before installation and retain for future reference

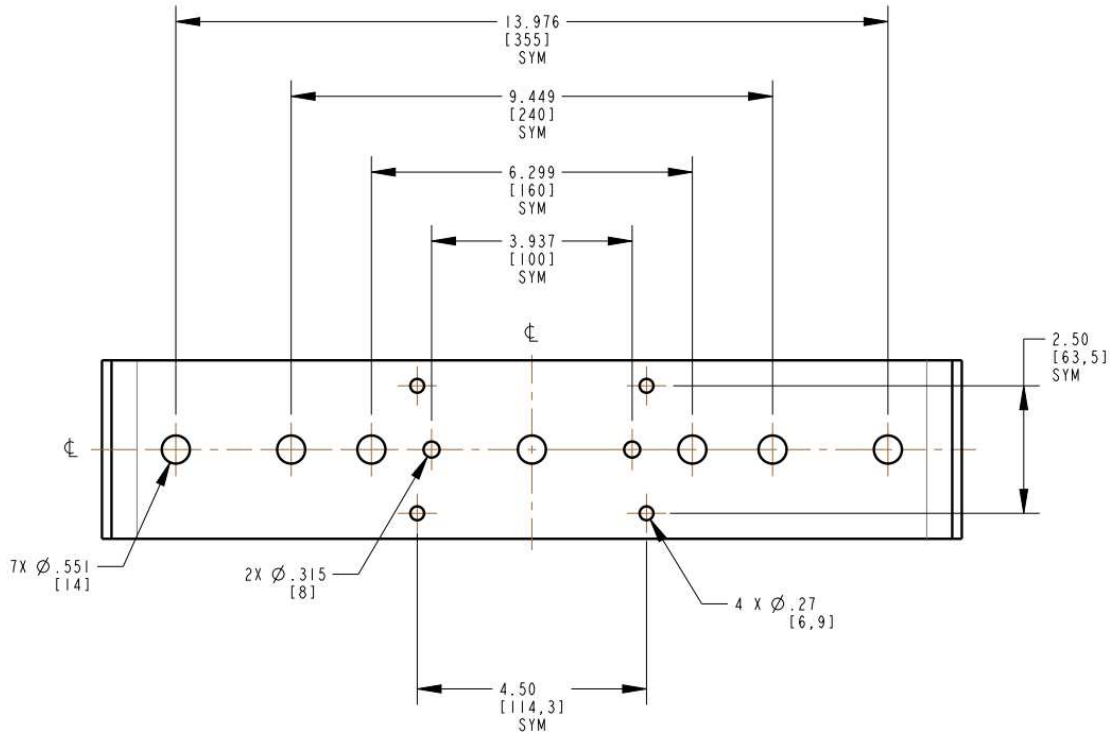


Installation instructions:

1. Install hardware loosely as shown below. Tighten to specified torque in the order indicated below
2. Re-torque all screws again after tightening in indicated order.







All statements, technical information and recommendations contained herein are based on information and tests we believe to be reliable. The accuracy or completeness thereof is not guaranteed. In accordance with Dialight Corporation "Terms and Conditions of Sale", and since conditions of use are outside our control, the purchaser should determine the suitability of the product for his intended use and assumes all risk and liability whatsoever in connection therewith.

