

# Dialight



## Vigilant<sup>®</sup> LED High Bay - CE

for Indoor and Outdoor Industrial Applications



# On when it matters most.

---

Products and solutions that protect your business





## Features & Benefits

- 10 year warranty
- L70 rated for >100,000 hours @ 25°C ambient
- 125 LPW
- Dual mounting option available
- Significantly reduced glare
- Instant on/off
- Mercury free
- No UV or IR
- Resistant to shock and vibration

## Application

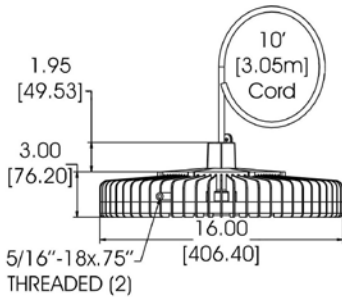
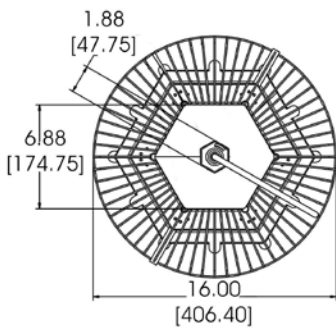
At 125 lumens per watt, Dialight's new ultra-efficient industrial LED High Bay revolutionises the world of LED lighting and is by far the most innovative LED fixture available today. With a market-leading 10 year warranty, the new Vigilant® 26,500 lumen high bay utilises cutting-edge optical and electrical design to provide for significantly reduced glare and superior light distribution.

# Vigilant LED High Bay - CE

## Standard Models



Patent pending



Dimensions in mm (inches)

### Certifications & Ratings

- CE
- EN 55015:2013
- EN 61547:2009
- EN 60598:2008
- IEC60068 salt spray testing-severity 1
- IK05 to EN50102
- IP66 to EN60529
- NEMA 4X

### Mechanical Information:

<b>Fixture weight:</b>	8.16kg (18lbs)
<b>Shipping weight:</b>	10.8kg (24lbs)
<b>Mounting:</b>	Hook (supplied) or Swivel bracket (supplied separately)
<b>Cabling:</b>	3m (10') PVC Power Cord

### Electrical Specifications:

<b>Operating Voltage:</b>	110 – 277V AC: 25,750 & 26,500lm models 100 – 277V AC: 11,000, 14,000 & 18,000lm models
<b>Total system power consumption:</b>	See table
<b>Operating Temp:</b>	-40°C to +65°C (-40°F to +149°F)
<b>Harmonics:</b>	IEC 61000-3-2
<b>Transient protection:</b>	Protection devices capable of handling up to 6kV. Tested for 6kV/2 ohm combination wave, as per IEEE C62.41, line-line and line-ground
<b>THD:</b>	<20%
<b>Power Factor:</b>	> 0.9

### Construction:

<b>Housing:</b>	Copper free aluminum
<b>Finish:</b>	Superior dual coat finish - Sealed polyester topcoat - Chemical-resistant epoxy primer
<b>Lens:</b>	Tempered glass

### Photometric Information:

<b>CRI:</b>	75
<b>CCT:</b>	5000K (cool white) 4000K (neutral white)
<b>IES Files:</b>	Available at <a href="http://www.dialight.com">www.dialight.com</a>

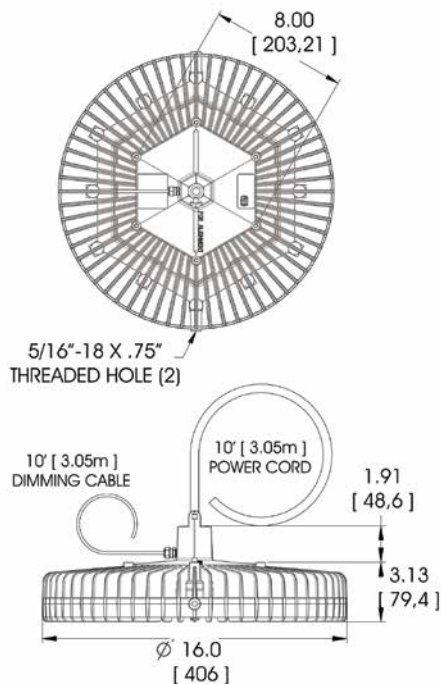
All values typical unless otherwise stated (tolerance +/- 10%)

# Vigilant LED High Bay - CE

## Variable Dimming Models



Patent pending



Dimensions in mm (inches)

### Features & Benefits

- 3 metre, 5 core PVC cable pre-installed
- Multiple High Bays can be connected to the same dimmer

### Mechanical Information:

<b>Fixture weight:</b>	8.16kg (18lbs)
<b>Shipping weight:</b>	10.8kg (24lbs)
<b>Mounting:</b>	Hook (supplied) or Swivel bracket (supplied separately)
<b>Cabling:</b>	3m (10') PVC Power Cord

### Electrical Specifications:

<b>Operating Voltage:</b>	110 – 277V AC: 25,750 & 26,500lm models 100 – 277V AC: 11,000, 14,000 & 18,000lm models
<b>Total system power consumption:</b>	See table
<b>Operating Temp:</b>	-40°C to +65°C (-40°F to +149°F)
<b>Harmonics:</b>	IEC 61000-3-2
<b>Transient protection:</b>	Protection devices capable of handling up to 6kV. Tested for 6kV/2 ohm combination wave, as per IEEE C62.41, line-line and line-ground

<b>THD:</b>	<20%
<b>Power Factor:</b>	> 0.9

### Variable Dimming:

<b>Variable dimming cable:</b>	Dimming connections included in factory installed 5 core cable. Multiple High Bays can be connected to the same dimmer, consult dimming instructions and manufacturer
<b>Variable dimming control:</b>	0-10V DC
<b>Typical dimmer range:</b>	10V DC = 100% light output 0V DC = 30% light output

### Construction:

<b>Housing:</b>	Copper free aluminum
<b>Finish:</b>	Superior dual coat finish - Sealed polyester topcoat - Chemical-resistant epoxy primer
<b>Lens:</b>	Tempered glass

### Photometric Information:

<b>CRI:</b>	75
<b>CCT:</b>	5000K (cool white) 4000K (neutral white)
<b>IES Files:</b>	Available at <a href="http://www.dialight.com">www.dialight.com</a>

All values typical unless otherwise stated (tolerance +/- 10%)

# Vigilant LED High Bay - CE

## Options and Accessories



### HBXW3

- Aluminium swivel bracket



### HBXSBDK

- Sand blast kit (dome lens)

### HBXSBDL

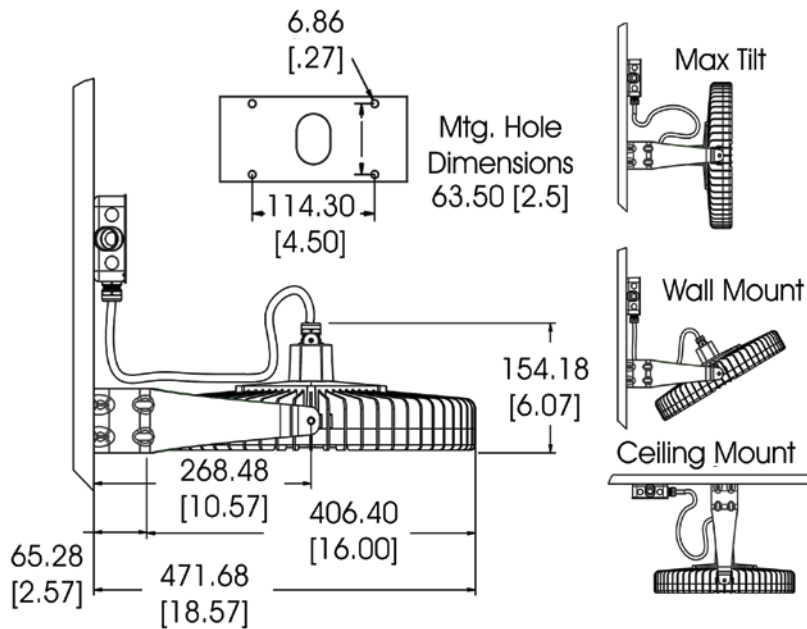
- Sacrificial dome lens



### HBXGS

- Glare shield (internal use only, for use with flat lens)

HBXW3 - Swivel bracket dimensions



# Vigilant LED High Bay - CE

## Ordering Information (All models are fitted with Type 1 style plug)

Part Number	Initial Fixture Lumens	Wattage	Lm/W	IP Rating	Voltage	Colour Temperature (CCT)	Lens	Light Distribution
<b>Standard Models</b>								
HEZGMC4PN-HNG	26,500	212	125	IP66	110 - 277V AC	5000K (cool white)	Tempered glass	Medium
HEZGRC4PN-HNG	26,500	212	125	IP66	110 - 277V AC	5000K (cool white)	Tempered glass	Wide
HEZGEC4PN-HNG	26,500	212	125	IP66	110 - 277V AC	5000K (cool white)	Tempered glass	Narrow
HEZGNC4PN-HNG	25,750	204	125	IP66	110 - 277V AC	5000K (cool white)	Tempered glass	Oval
HEZGMC4KN-HNG	18,000	144	125	IP66	100 - 277V AC	5000K (cool white)	Tempered glass	Medium
HEZGRC4KN-HNG	18,000	144	125	IP66	100 - 277V AC	5000K (cool white)	Tempered glass	Wide
HEZGEC4KN-HNG	18,000	144	125	IP66	100 - 277V AC	5000K (cool white)	Tempered glass	Narrow
HEZGNC4KN-HNG	18,000	144	125	IP66	100 - 277V AC	5000K (cool white)	Tempered glass	Oval
HEZGMC4GN-HNG	14,000	112	125	IP66	100 - 277V AC	5000K (cool white)	Tempered glass	Medium
HEZGRC4GN-HNG	14,000	112	125	IP66	100 - 277V AC	5000K (cool white)	Tempered glass	Wide
HEZGEC4GN-HNG	14,000	112	125	IP66	100 - 277V AC	5000K (cool white)	Tempered glass	Narrow
HEZGNC4GN-HNG	14,000	112	125	IP66	100 - 277V AC	5000K (cool white)	Tempered glass	Oval
HEZGMC4DN-HNG	11,000	88	125	IP66	100 - 277V AC	5000K (cool white)	Tempered glass	Medium
HEZGRC4DN-HNG	11,000	88	125	IP66	100 - 277V AC	5000K (cool white)	Tempered glass	Wide
HEZGEC4DN-HNG	11,000	88	125	IP66	100 - 277V AC	5000K (cool white)	Tempered glass	Narrow
HEZGNC4DN-HNG	11,000	88	125	IP66	100 - 277V AC	5000K (cool white)	Tempered glass	Oval
<b>Variable Dimming Models</b>								
HEZGMC4PD-HNG	26,500	212	125	IP66	110 - 277V AC	5000K (cool white)	Tempered glass	Medium
HEZGRC4PD-HNG	26,500	212	125	IP66	110 - 277V AC	5000K (cool white)	Tempered glass	Wide
HEZGMC4KD-HNG	18,000	144	125	IP66	100 - 277V AC	5000K (cool white)	Tempered glass	Medium
HEZGRC4KD-HNG	18,000	144	125	IP66	100 - 277V AC	5000K (cool white)	Tempered glass	Wide
HEZGMC4GD-HNG	14,000	112	125	IP66	100 - 277V AC	5000K (cool white)	Tempered glass	Medium
HEZGRC4GD-HNG	14,000	112	125	IP66	100 - 277V AC	5000K (cool white)	Tempered glass	Wide
HEZGMC4DD-HNG	11,000	88	125	IP66	100 - 277V AC	5000K (cool white)	Tempered glass	Medium
HEZGRC4DD-HNG	11,000	88	125	IP66	100 - 277V AC	5000K (cool white)	Tempered glass	Wide

All values typical unless otherwise stated (tolerance +/- 10%)  
 All models above are fitted with Type 1 style plug

