

SafeSite® LED Bulkhead

Technical Specifications



Ratings and Certifications	
• 5 year warranty	• ATEX/IECEX Zones 1, 21
• IP66/67	• ATEX/IECEX Zones 2, 22
• IK09	• ABS
• Emergency models available	• CE
• L70 >100,000 hours @ 25°C ambient	

*All features not available on every model. Please refer to product part number pages for model specifics.

Mechanical Information	
Fixture weight:	
Standard Models	
22W:	4.8 kg (10.5 lbs)
34W:	5.2 kg (11.5 lbs)
Emergency Models	
24W:	6.1 kg (13.5 lbs)
36W:	6.6 kg (14.5 lbs)
Mounting:	Supplied without brackets
Cable Entry:	M20 x 3
Terminals:	4mm ² x 3

Specifications			
Voltage options:		Housing:	Copper-free aluminium
		Finish:	Superior dual coat finish - Sealed polyester topcoat - Chemical-resistant epoxy prime
Standard Models		Power factor:	>0.9
22W / 34W:	100-277 VAC	THD:	<20%
Emergency Models		Lens:	High impact resistant clear glass (Frosted glass optional, consult sales)
24W:	207-264 VAC	CRI:	70
36W:	207-264 VAC	CCT:	5650K (cool white) 4300K (neutral white)
Operating temp:		Emergency Models	
Standard Models		Battery	
22W:	-40°C to +60°C	24W / 36W:	3.6V 10Ah NiMH
34W:	-40°C to +50°C	Expected Battery Life:	4 years
Emergency Models		Battery Duration:	@ 25°C ambient - est. >3 hours
24W:	-20°C to +50°C		
36W:	-20°C to +40°C		
Surge protection:	EN 61000-4-5 1 kV line to line, 2 kV line to ground		

Comparison		
	Warranty	L70
Dialight LED Bulkhead	5yr	>100,000
Metal Halide	1	15,000
High Pressure Sodium	1	20,000
Fluorescent	1	24,000

Standard Models			
Lumens	Wattage	lm/W	Mounting Heights
2,250	34	66	3m
1,200	22	55	

Emergency Models			
Lumens	Wattage	lm/W	Mounting Heights
2,250	36	62	3m
1,200	24	50	

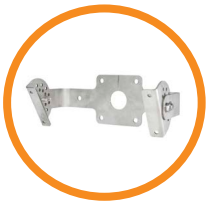
When ordering please refer our website www.dialight.com to view the current versions of all relevant product documentation, including the most up-to-date product data sheets. For the avoidance of doubt, in the event of any discrepancy between the contents of this document and information provided on our website, the information provided on our website shall prevail.

SafeSite® LED Bulkhead

Dimensional Drawings

Part Number	Lumens	Wattage	lm/W	Voltage	Colour Temperature (CCT)	Lens	Beam Distribution
Standard Model - 100 - 277 VAC							
WPA-4C3L-NLGCE	2,250	34	66	100 - 277 VAC	5650K (cool white)	Clear tempered glass	Oval (35° x 55°)
Emergency Models - 207 - 264 VAC							
WEA-4C4L-NLGCE	2,250	36	63	207 - 264 VAC	5650K (cool white)	Clear tempered glass	Oval (35° x 55°)

All values typical unless otherwise stated (tolerance +/- 10%).



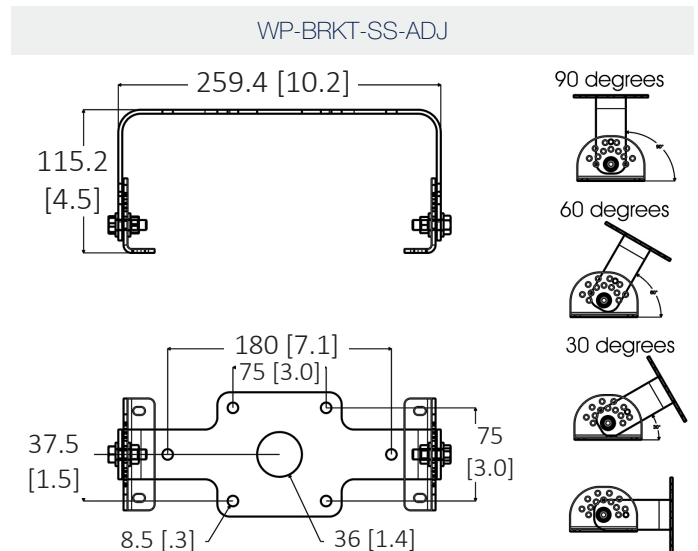
WP-BRKT-SS-ADJ

- Adjustable bracket
- Includes self-tapping screws



WPX-001500-BATT

- 10Ah 3.6V battery module
- Replacement battery kit
- Battery Backup models only



Also available:

WP-BRKT-F-KIT

- Flush mounting brackets
- Bracket to fixture hardware
- Includes (2) brackets in 304 Stainless steel and stainless mounting hardware

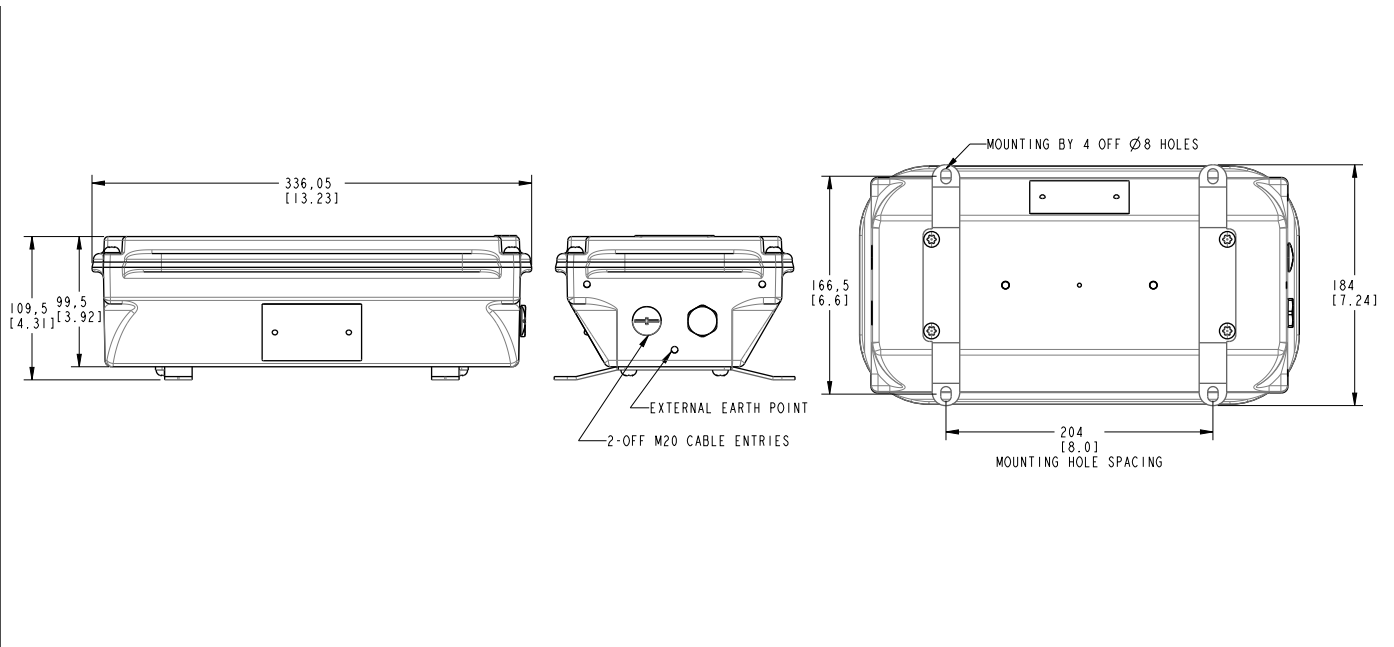
WP-BRKT-SS-30

- 30° angle mounting brackets
- Bracket to fixture hardware
- Includes (2) brackets in 304 Stainless steel and stainless mounting hardware

SafeSite® LED Bulkhead

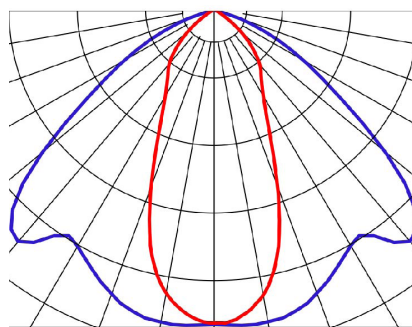
Dimensional Drawings

Dimensions - Standard



Dimension in mm [inches]

Beam Distribution

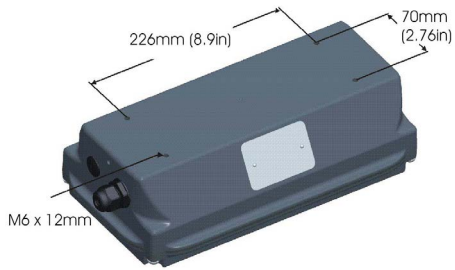


Oval (35° x 55°)

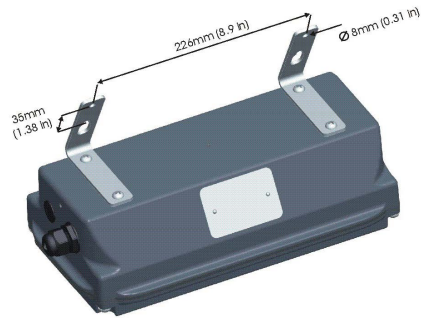
SafeSite® LED Bulkhead

Dimensional Drawings

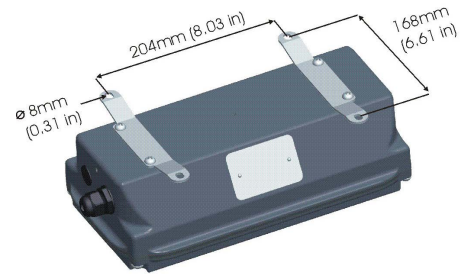
Standard without Bracket



30° Angle Bracket - WP-BRKT-SS-30

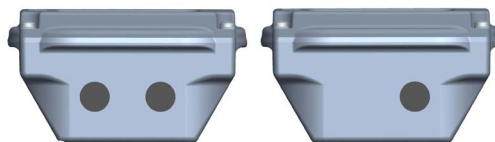


Flush Bracket WP-BRKT-F-KIT



*Holes are blank and blind

Cable Entry - Supplied as Standard



2 Entries One Side, 1 Entry Opposite Side.