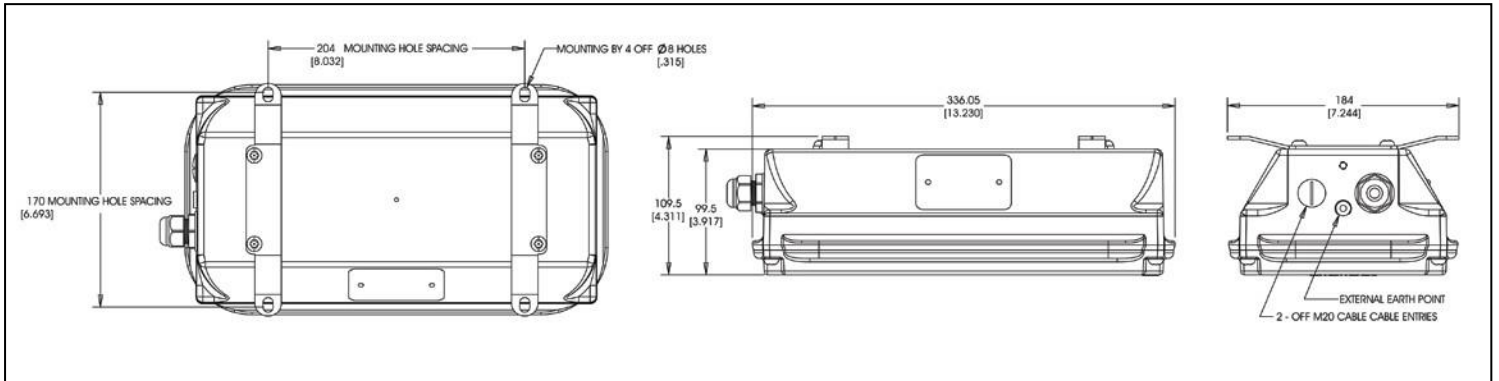


SafeSite® Bulkhead for Hazardous areas

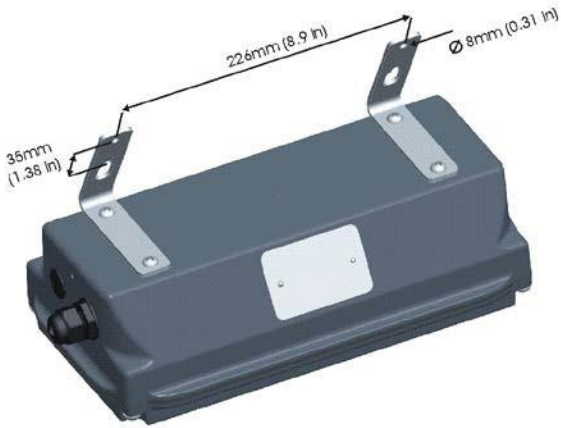
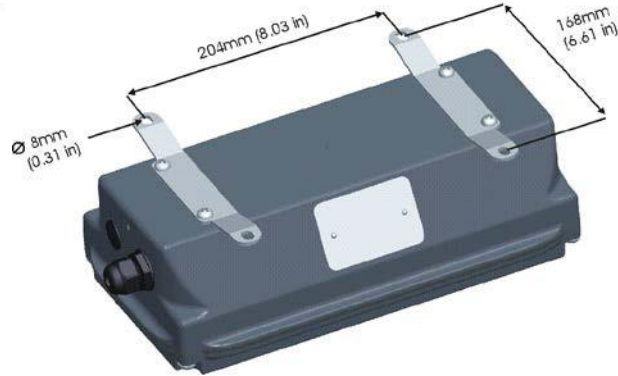
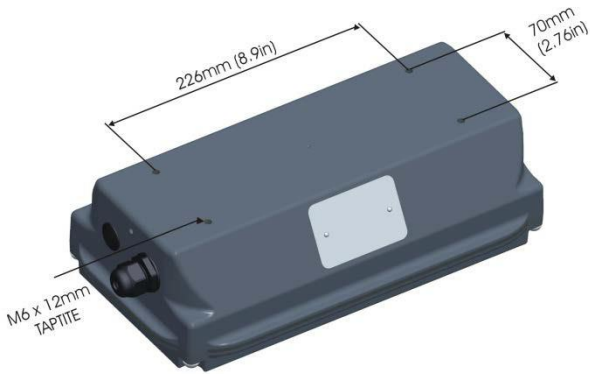
Important information:

These instructions contain safety information, read and follow them carefully. Dialight will not accept any responsibility for injury, damage or loss which may occur due to incorrect installation, operation or maintenance

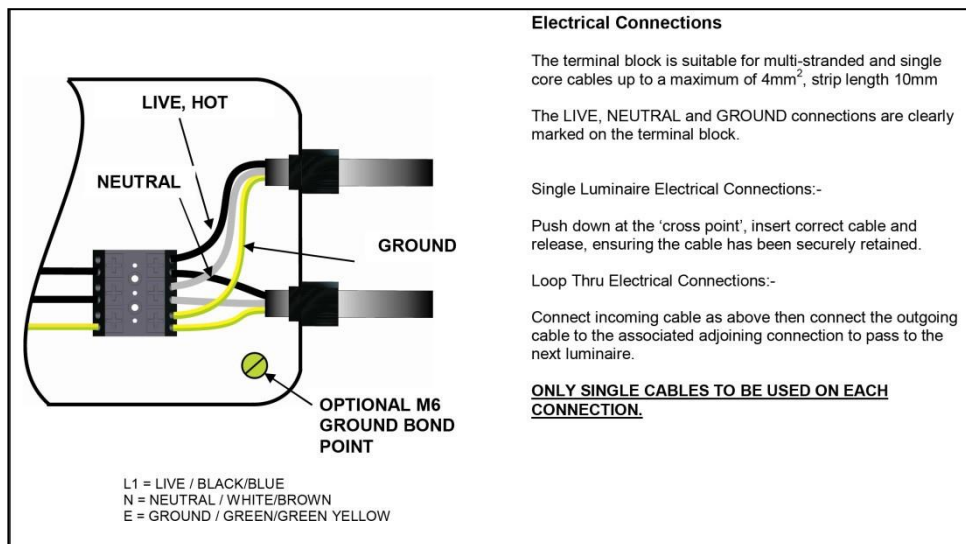
Operating



SafeSite® Bulkhead for Hazardous areas



Tightening Torques	
Front assembly to main body	3.6Nm / 32.0 in lb
Body mounting	8.0Nm / 71.0 in lb
Certified Blanking Plug	2.0Nm / 18.0 in lb



Safety Instruction:

The installation, operation and maintenance must be carried out by an electrician suitably trained in hazardous areas with knowledge of increased safety explosion protection IEC 60079-14

- The technical data indicated on the LED fixtures are to be observed.
- Changes of the design and modifications to the LED fixture are not permitted
- Repairs must only be carried out by a qualified electrician with hazardous area knowledge
- Only genuine Dialight Replacement must be used when unforeseen repairs are required.
- Observe the national safety rules and regulations during installation.
- NO user serviceable Parts inside.
- NO field replaceable parts.

Technical Data

Operating Temp:
9/18 Led version -40°C to +55°C
27 Led version -40°C to +50°C

Ingress Protection: IP66/67
 Type 4x watertight enclosure

Class I, Division 2, Groups: A,B,C,D and Class II, Division2, Groups: F and G, T4, or Unclassified locations.

Supply Current(Typical):
9 LED Model 50mA @ 230VAC
 100mA @ 100VAC
18 LED Model 100mA @ 230VAC
 200mA @ 100VAC
27 LED Model 160mA @ 230VAC
 320mA @ 100VAC

Housing LM6 Copper free Alu

Dimensions: See figure

Protection Glass: Toughened Glass, Frosted or Clear

Cable Entries: M20
 M25
 3/4" NPT
 Refer to part code

Installation

Ensure that the mains voltage supply is disconnected before connecting the luminaire. Install the equipment in accordance with the manufacturer's instructions as well as any other applicable electric codes.

Always transport and store the equipment in its original packaging and keep in a dry location. When unpacking check for any cracks or damage in the housing, glass and gasket seal, if in doubt do not install!

The improper installation, operation and maintenance of these luminaires may result in the invalidation of the guarantee.

Mounting Luminaire

There are 3 mounting options for this luminaire, depending which mounting accessories were supplied on purchase (See Luminaire Mounting Options).

Option 1. Direct Mounting

For directly mounting the luminaire to a cable tray or similar no brackets are supplied and the fixture can be secured directly using the 4 TORX screws supplied, refer to table for tightening torques. Rear access required.

Option 2. Ceiling or Flat Wall Mounting

Assemble the mounting brackets to the luminaire with the 4 TORX screws supplied, refer to table for tightening torques. Use the dimensions in Option 2 to locate the luminaire into the desired position. Maximum screw/bolt size 8mm (not supplied).

Option 3. 30° Angled Bracket

Assemble the 30° angled mounting bracket to the luminaire with the 4 TORX screws provided, refer to table for tightening torques. Use the dimensions in Option 3 to locate lighting equipment into the desired position. Maximum screw/bolt size 8mm (not supplied).

Opening the Luminaire

WARNING - EXPLOSION HAZARD - DO NOT DISCONNECT EQUIPMENT UNLESS POWER HAS BEEN SWITCHED OFF OR THE AREA IS KNOWN TO BE NON-HAZARDOUS. Wait 10 minutes after disconnection before opening.

Unscrew the 4 front TORX bolts to gain access to the wiring tray. The front of the fixture with LED tray can now be lowered and supported by the drop cable.

Do not allow sudden or excessive forces to be applied to the drop cable as this could damage the LED tray.

Cable Entries and Cables

IMPORTANT: The cable glands used with this fixture must be certified to the Class1 Div2 requirements. The cable used must be suitable for the site application and/or the site requirements.

When assembling the cable entries for the mains connection, always observe the manufacturer's specifications for the glands used. Unused cable entries must be closed and sealed by a certified blanking plug. The cable entries should be securely tightened to ensure that the minimum protection rating is achieved. The cable entry should be rated to minimum of IP66 to maintain the protection level of the fixture.

Do not over tighten as the protection rating may be compromised. Always refer to gland manufacturers data for torque settings.

Special Conditions for Safe Use

Suitably certified cable entries must be used which

include a sealing washer to maintain the IP66/67 rating of the enclosure. The glands must be suitable for use within an operating temperature range of -40°C to +80°C.

When used with steel basket weave armour or braided (screened) cable the basket weave armour or braid is unable to carry the cable load without fracture therefore the cable must be clamped and cleated to prevent pulling on the cable being transmitted to the cable terminations.

Electrical Connection

When connecting the conductors extra care should be taken in order to maintain the hazardous protection. The insulation of the conductors shall reach up to the terminal block. The conductor itself shall not be damaged. The connectible minimum and maximum conductor cross sections shall be observed (see electrical connection data).

Closing the LED Luminaire

Remove any foreign bodies from the fixture Pay attention when fitting the LED tray to the enclosure; make sure the seals are clean and undamaged. Do not allow any cables to become trapped between the LED tray and the enclosure.

Tighten all 4 TORX screws evenly (see table)

Taking into operation

Prior to operating, check the luminaire for its correct installation in compliance with these operating instructions and other applicable regulations.

Attention: Only fully certified equipment may be put into operation. Improper installation and operation of this luminaire may invalidate the warranty.

Disconnect the power supply to the luminaire before maintenance or repair. Wait at least 10 minutes before opening the LED luminaire after de-energising.

If any unforeseen repairs are required then always observe explosion protection regulations and requirements.

Inspection

Within the scope of the maintenance or inspection routine the following should be included: Protective hoses covering the connecting cables. Cable entries must be free from corrosion.

Repairs / Overhaul / Modification

The relevant national regulations which apply to the maintenance/servicing of electrical apparatus in explosive atmospheres shall be observed

Any unforeseen repairs or overhaul may only carry out with genuine Dialight spare parts.

Should the luminaire enclosure be damaged, only a replacement will be permitted. In case of doubt, the equipment should be returned to Dialight for inspection/repair. Modifications to the device or changes of its design are not permitted.

This equipment must be operated according to the intended purpose in a perfect and undamaged condition.

Disposal/Recycling

When the apparatus is disposed of, the respective national regulations on waste disposal should be observed.

Conformity with Standards

This equipment conforms to the standards specified in the ATM. It has been designed, manufactured and tested in accordance with UL844/UL8750.

Equipment Application

This lighting equipment is intended for use in Class1 Div2 and Class2 Div2 or unclassified locations. The product can be used inside or outside to illuminate areas with potentially explosive atmosphere.



Chemical Compatibility Guide

The chemical compatibility data referenced in this manual was supplied by the raw material manufacturers and is intended as a general guide. The data represents the basic material properties and does not necessarily represent the performance of the final product due to manufacturing process and design variations for each final product. Chemical compatibility is highly dependent on concentration, temperature, humidity, and other environment conditions and therefore the customer assumes responsibility for evaluation of gaseous or direct contact chemical compatibility at their site prior to product installation.

<http://www.dialight.com/pubs/MDTFCHEMRFLX001.pdf>

Official Statement

All statements, technical information, and recommendations contained herein are based on information and tests that Dialight believes to be reliable. The accuracy or completeness thereof is not guaranteed. In accordance with Dialight "Terms and Conditions of Sale" and since conditions of use are outside our control, the purchaser should determine the suitability of the product for his or her intended use and assumes all risk and liability whatsoever in connection therewith.

