



On when  
it counts.



Patent Pending

### Certifications & Ratings

- CE - EN 55015: 2006 / EN 61547: 2009 / EN 60598: 2008
- IP66/67
- RoHS compliant

### Features & Benefits

- L70 rated for >100,000 hours @ 25°C ambient
- 5 year warranty
- Instant on/off operation
- Mercury free, lead free
- Resistant to shock and vibration
- Red and Green LED colour available upon request

### Mechanical Information:

<b>Fixture weight:</b>	8.8 kg (19 lb)
<b>Fixture weight:</b>	10.4 kg (23 lb)
<b>Fixing:</b>	All cable entries are drilled and tapped see ordering options.

### Electrical Specifications:

<b>Operating Voltage:</b>	100-277 VAC, 50/60Hz
<b>Total system power consumption:</b>	See table
<b>Operating Temp:</b>	-40°C to +50°C (-40°F to +122°F)
<b>Harmonics:</b>	IEC 61000-3-2
<b>Noise Requirements / EMC:</b>	FCC Title 47, Subpart B, Section 15, class B device. RF Immunity; 10V/m, 80MHz-1GHz
<b>Transient protection:</b>	EN 61000-4-5 1kV line-to-line, 2kV line-to-ground
<b>THD:</b>	<20%
<b>Power Factor:</b>	> 0.9

### Construction:

<b>Housing:</b>	Copper-free aluminum
<b>Finish:</b>	Superior dual coat finish - Sealed polyester topcoat - Chemical-resistant epoxy primer
<b>Mounting Bracket:</b>	316 stainless steel
<b>Lens:</b>	High impact resistant clear glass High impact resistant frosted glass

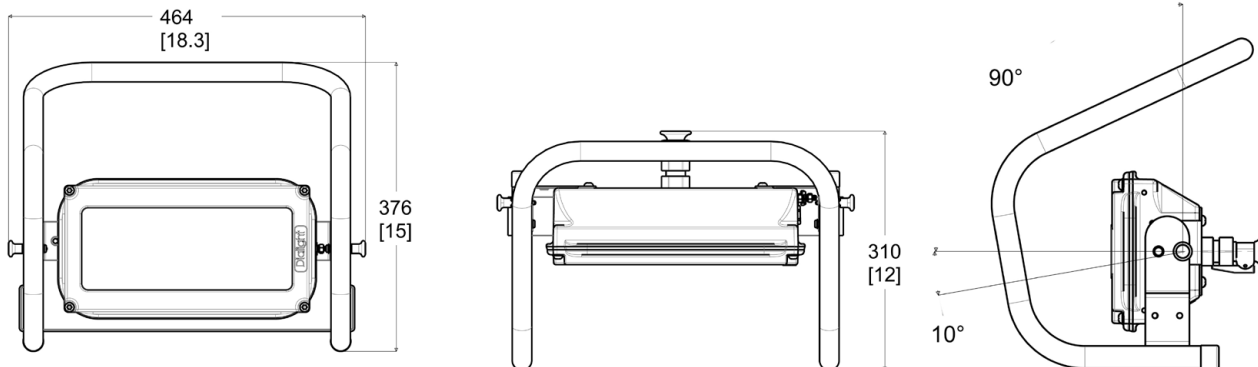
### Photometric Information:

<b>CRI:</b>	70
<b>CCT:</b>	4300K (neutral white) 5650K (cool white)
<b>IES Files:</b>	see <a href="http://www.dialight.com">www.dialight.com</a>

All values typical unless otherwise stated (tolerance +/- 10%)



### Bulkhead Dimensions



Dimensions are in mm [inches]

Part Number	Initial Fixture Lumens	Wattage	Lm/W	IP Rating	Voltage	Colour Temperature (CCT)	Lens	Beam Distribution
TW-2C3L-SYWC	2,250	34	66	IP66/67	100-277 VAC	5650K (cool white)	Clear Glass	Narrow
TW-2N3L-SYWC	2,250	34	66	IP66/67	100-277 VAC	4300K (neutral white)	Clear Glass	Narrow
TW-4C3L-SYWC	2,250	34	66	IP66/67	100-277 VAC	5650K (cool white)	Clear Glass	Oval (35° X 55°)
TW-4N3L-SYWC	2,250	34	66	IP66/67	100-277 VAC	4300K (neutral white)	Clear Glass	Oval (35° X 55°)

All values typical unless otherwise stated, Lumen values are typical (tolerance +/- 10%).

For frosted glass models replace the 12th character with a E TW-2C3L-SYWC becomes TW-2C3L-SYWE (Frosted lens option will reduce lumen output by 6%)



#### WP-CM-SB

- Sand blast shield

