

SafeSite® LED Area Light

Technical Specifications



Ratings and Certifications

- 5 year warranty
- L70 >150,000 hours @ 25°C ambient
- IECEx/ATEX Zones 1, 21
- IECEx/ATEX Zones 2, 22
- IP66
- IK08
- CE

*All features not available on every model. Please refer to product part number pages for model specifics.

Mechanical Information

Fixture weight:	9.1 kg (20 lbs)
Shipping weight:	10.0 kg (22 lbs)
Mounting:	316 Stainless steel mounting bracket
Cable Entries:	M20 x 2
Terminals:	4mm ² x 5

Specifications

Voltage:	100-277 VAC	Housing:	Copper-free aluminium
Operating temp:	-40°C to +65°C	Finish:	Superior dual coat finish - Sealed polyester topcoat - Chemical-resistant epoxy prime
Power factor:	>0.9	Lens:	Tempered Glass
THD:	<20%	CRI:	75
Surge protection:	1kV line-to-line, 2kV line-to-ground	CCT:	5000K (cool white) 4000K (neutral white)

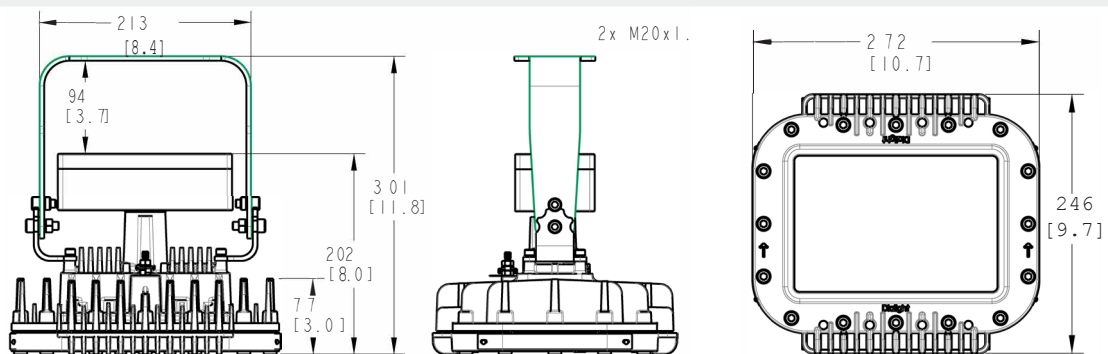
Comparison

	Warranty	L70	T-Rating
Dialight LED Area Light	5yr	>150,000	T5
Metal Halide	1	15,000	T3
High Pressure Sodium	1	20,000	T2

Lumens Wattage lm/W Mounting Heights

Lumens	Wattage	lm/W	Mounting Heights
7,500	69	109	6m
6,500	58	112	↕
5,500	47	117	3m

Dimensions



Dimension in mm [inches]

When ordering please refer our website www.dialight.com to view the current versions of all relevant product documentation, including the most up-to-date product data sheets. For the avoidance of doubt, in the event of any discrepancy between the contents of this document and information provided on our website, the information provided on our website shall prevail.

SafeSite® LED Area Light

Ordering Information

Part Number	Lumen	Wattage	lm/W	Voltage	Colour Temperature (CCT)	Lens	Beam Distribution
HZJA9C2N	6,000	58	103	100-277 VAC	5000K (cool white)	Tempered glass	360°
HZJA8C2N	5,600	58	97	100-277 VAC	5000K (cool white)	Tempered glass	180°
HZJA5C2N	5,100	47	109	100-277 VAC	5000K (cool white)	Tempered glass	360°
HZJA4C2N	4,600	47	98	100-277 VAC	5000K (cool white)	Tempered glass	180°
HZJA3C2N	4,000	38	105	100-277 VAC	5000K (cool white)	Tempered glass	360°
HZJA2C2N	3,600	38	95	100-277 VAC	5000K (cool white)	Tempered glass	180°
HZJA1C2N	2,200	22	100	100-277 VAC	5000K (cool white)	Tempered glass	360°
HZJA0C2N	2,200	22	100	100-277 VAC	5000K (cool white)	Tempered glass	180°

All values typical unless otherwise stated (tolerance +/- 10%).

Leaded options available, please consult local Dialight sales office for availability.

Beam Distribution

