

# Vigilant® LED Area Light

## Technical Specifications



### Ratings and Certifications

- 10 year warranty
- L70 >300,000 hours @ 65°C ambient
- CE/ENEC
- IP66/67
- IK07 (glass lens) / IK10 (polycarbonate lens)

\*All features not available on every model. Please refer to product part number pages for model specifics.

### Mechanical Information

|                         |                                      |
|-------------------------|--------------------------------------|
| <b>Fixture weight:</b>  | 5.2 kg (11.5 lbs)                    |
| <b>Shipping weight:</b> | 6.1 kg (13.5 lbs)                    |
| <b>Mounting:</b>        | 316 Stainless steel mounting bracket |
| <b>Cable Entries:</b>   | M20 x 2                              |
| <b>Terminals:</b>       | 4mm <sup>2</sup> x 5                 |

### Specifications

|                          |   |                 |  |
|--------------------------|---|-----------------|--|
| <b>Voltage:</b>          | 100 - 277 VAC 50/60Hz, 120-250 VDC  | <b>Housing:</b> | Copper-free aluminium  |
| <b>Operating temp:</b>   | -40°C to +65°C  | <b>Finish:</b>  | Superior dual coat finish<br>- Sealed polyester topcoat<br>- Chemical-resistant epoxy primer |
| <b>Power factor:</b>     | >0.9  | <b>Lens:</b>    | Polycarbonate<br>Tempered Glass  |
| <b>THD:</b>              | <20%  | <b>CRI:</b>     | 80   |
| <b>Surge protection:</b> | 6kV / 3kA combination wave, as per IEEE C62.41, line-line and line-ground | <b>CCT:</b>     | 5000K (cool white)   |

### Comparison

|                         | Warranty | L70      |
|-------------------------|----------|----------|
| Dialight LED Area Light | 10yr     | >300,000 |
| Metal Halide            | 1        | 15,000   |
| High Pressure Sodium    | 1        | 20,000   |

### Lumens

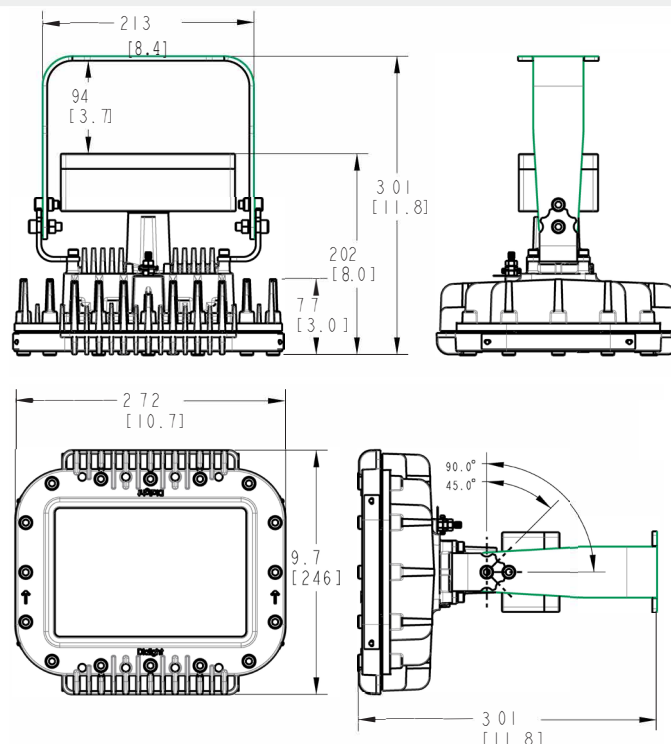
### Wattage

### lm/W

### Mounting Heights

|       |    |     |     |
|-------|----|-----|-----|
| 9,000 | 66 | 136 | 10m |
| 7,300 | 52 | 140 | ↓   |
| 5,700 | 40 | 143 | 3m  |

### Dimensions



Dimension in mm [inches]

When ordering please refer our website [www.dialight.com](http://www.dialight.com) to view the current versions of all relevant product documentation, including the most up-to-date product data sheets. For the avoidance of doubt, in the event of any discrepancy between the contents of this document and information provided on our website, the information provided on our website shall prevail.

# Vigilant® LED Area Light

## Ordering Information

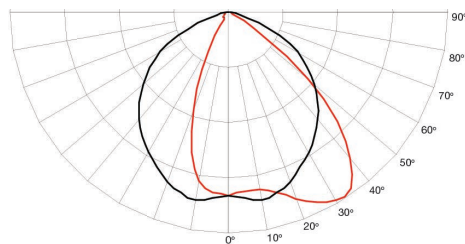
| Part Number                 | Legacy Part Number | Lumens | Wattage | lm/W | Colour Temperature (CCT) | Lens  | Beam Angle | Mounting Options                       | Hardware Accessories |
|-----------------------------|--------------------|--------|---------|------|--------------------------|-------|------------|--|----------------------|
| <b>CE with Junction Box</b> |                    |        |         |      |                          |       |            |  |                      |
| ALE7AC26DBJUGN              | STJW8C2GEU         | 5500   | 40      | 138  | 5000K (cool white)       | Glass | 180°       | 316 stainless steel adjustable bracket | Junction box         |
| ALE7AC27DBJUGN              | STJWEC2GEU         | 7100   | 52      | 137  | 5000K (cool white)       | Glass | 180°       | 316 stainless steel adjustable bracket | Junction box         |
| ALE7AC29DBJUGN              |                    | 8800   | 66      | 133  | 5000K (cool white)       | Glass | 180°       | 316 stainless steel adjustable bracket | Junction box         |
| ALE7BC26DBJUGN              | STJW9C2GEU         | 5700   | 40      | 143  | 5000K (cool white)       | Glass | 360°       | 316 stainless steel adjustable bracket | Junction box         |
| ALE7BC27DBJUGN              | STJWFC2GEU         | 7300   | 52      | 140  | 5000K (cool white)       | Glass | 360°       | 316 stainless steel adjustable bracket | Junction box         |
| ALE7BC29DBJUGN              |                    | 9000   | 66      | 136  | 5000K (cool white)       | Glass | 360°       | 316 stainless steel adjustable bracket | Junction box         |

All values typical unless otherwise stated (tolerance +/- 10%).

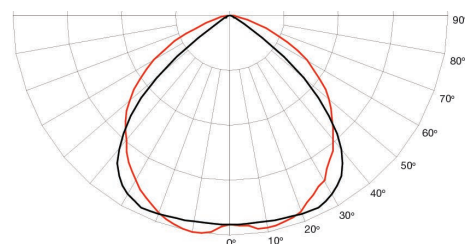
Neutral white option available, please consult local Dialight sales office for availability.

3m cable gland lead options available on made-to-order basis, please consult local Dialight sales office for availability.

### Beam Distribution

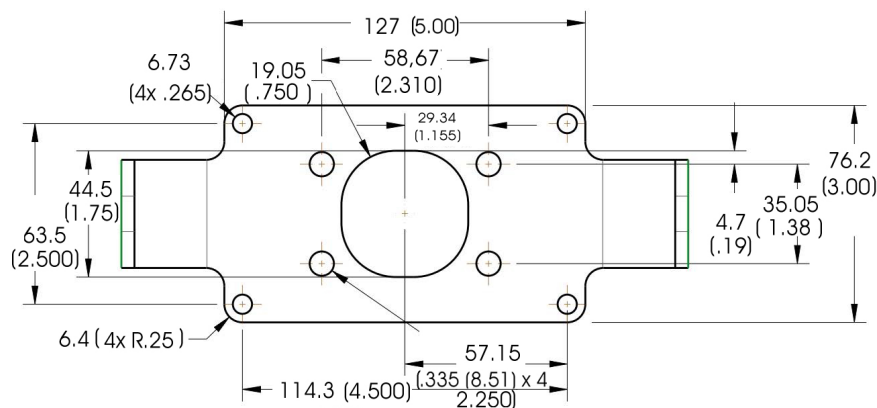


180° Beam Angle



360° Beam Angle

### Factory-Installed Mounting Bracket Dimensions



Dimension in mm [inches]

When ordering please refer our website [www.dialight.com](http://www.dialight.com) to view the current versions of all relevant product documentation, including the most up-to-date product data sheets. For the avoidance of doubt, in the event of any discrepancy between the contents of this document and information provided on our website, the information provided on our website shall prevail.