

SafeSite® LED Area Light - IECEx/ATEX

Technical Specifications



Ratings and Certifications	
• CE (EN61547:2009, EN55015:2006)	• ATEX / IECEx Zones 1, 21
• Ex II 2GD Ex d IIC T4 Gb (Ta= -40°C to +65°C)	• ATEX / IECEx Zones 2, 22
• Ex t IIC T135°C Db IP 6X (Ta = -40°C to +65°C)	• IP66
• Ex II 2GD Ex d IIC T5 Gb (Ta= -40°C to +42°C)	• IK08
• Ex t IIC T100°C Db IP 6X (Ta = -40°C to +42°C)	• 5 year warranty
• L70 rated for 150,000+ hours @ 25°C ambient	
• ABS Design Assessed #13-HS1043210C-PDA	

*All features not available on every model. Please refer to product part number pages for model specifics.

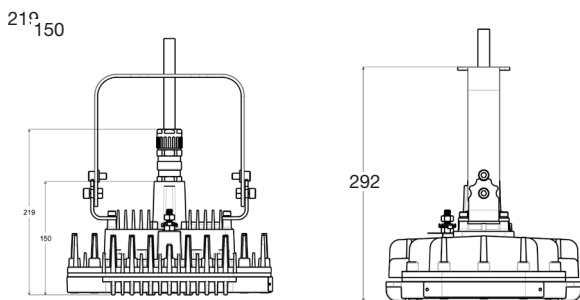
Mechanical Information	
Fixture weight:	Zone 1, 21 - 9.53 kg (21 lbs)
	Junction Box - 9.07 kg (20 lbs)
Shipping weight:	Zone 1, 21 - 10.43 kg (23 lbs)
	Junction Box - 9.98 kg (22 lbs)
Mounting:	Supplied with stirrup mounting bracket
Cabling:	Zone 1, 21 - Factory installed 3 meter SWB cable
	Junction Box - Factory installed junction box

Specifications			
Voltage options:	100 - 277V AC, 50/60 Hz	Housing:	Copper free aluminium
Operating temp:	-40°C to +65°C	Lens:	Toughened glass
Power factor:	>0.9	CRI:	75
THD:	<20%	CCT:	5000K (cool white)
Surge protection:	1 kV line to line, 2 kV line to ground		4000K (neutral white)

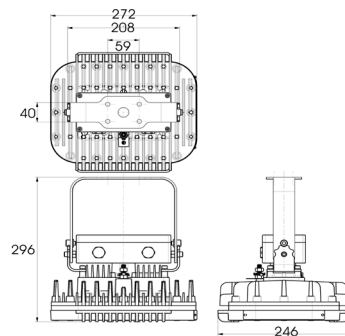
Comparison			
	Warranty	L70	T-Rating
Dialight Area Light	5yr	>150,000	T5
Metal Halide	1	15,000	T3
High Pressure Sodium	1	20,000	T2A

Lumens	Wattage	Lm/W	Mounting Heights
6,000	58	103	6m
			↕
2,000	22	91	3m

Dimensions



Zone 1, 21



Junction Box

Dimension are in mm

When ordering please refer our website www.dialight.com to view the current versions of all relevant product documentation, including the most up-to-date product data sheets. For the avoidance of doubt, in the event of any discrepancy between the contents of this document and information provided on our website, the information provided on our website shall prevail.

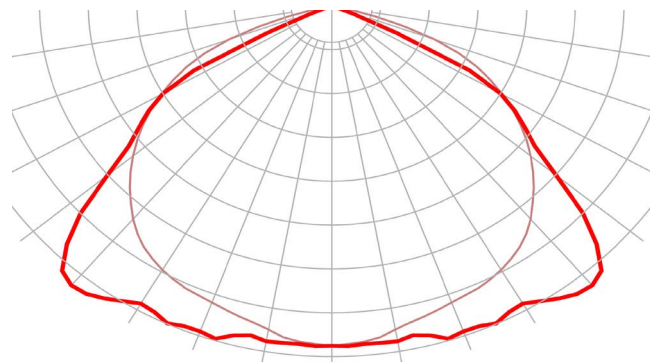
SafeSite® LED Area Light - IECEx/ATEX

Australia & Asia Order Codes

Current Part Number	Historic Part Number	Fixture Lumens	Wattage	lm/W	Voltage	Colour Temperature (CCT)	Lens	Beam Distribution	Mounting Options
IECEX / ATEX Zone 1, 21									
	HZA9C2N	6,000	88	97	100-277 VAC	5000K (cool white)	Toughened glass	360°	Stirrup bracket
Junction Box									
	HZJA5C2N	5,700	40	142	100-277 VAC	5000K (cool white)	Toughened glass	360°	Junction box
	HZJA9C2N	6,000	70	86	100-277 VAC	5000K (cool white)	Tempered glass	360°	Junction box

All values typical unless otherwise stated (tolerance +/- 10%).
 Part numbers listed in **bold** are typically available in stock.

Beam Distribution



360° Pattern

SafeSite® LED Area Light - UL 844 Class I, Div 2

Technical Specifications



Ratings and Certifications

- 10 year warranty
- L70 >300,000 hours @ 65°C ambient
- UL
- IP66 / 67 / 69
- IK07 (glass lens) / IK10 (polycarbonate lens)
- 0-10 V dimming as standard

*All features not available on every model. Please refer to product part number pages for model specifics.

Mechanical Information

Fixture weight:	
Glass:	5.4 kg (12 lb)
Polycarbonate:	4.5 kg (10 lb)
Shipping weight:	
Glass:	6.3 kg (14 lb)
Polycarbonate:	5.4 kg (12 lb)
Mounting:	Stainless steel, wall and pole mounting bracket options

Specifications

Voltage options:	100-277 VAC 50/60Hz, 120-250 VDC	Housing:	Copper-free aluminium
Operating temp:	-40°C to +65°C	Lens:	Hard-coated polycarbonate Tempered glass
Power factor:	>0.9	Finish:	Superior dual coat finish - Sealed polyester topcoat - Chemical-resistant epoxy primer
THD:	<20%	CRI:	80
Surge protection:	6kV, 2 Ohm line-line and line-ground	CCT:	5000K (cool white) 4000K (neutral white) 2700K (warm white)

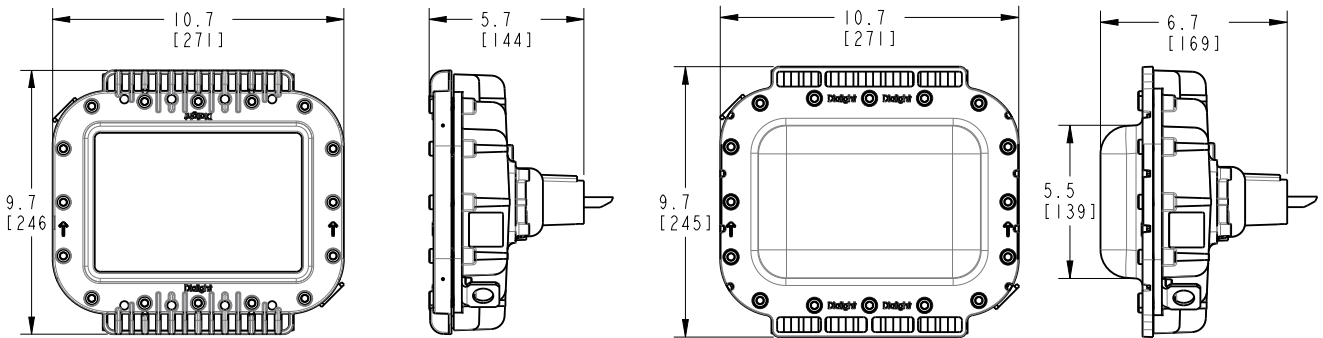
Comparison

	Warranty	L70
Dialight LED Area Light	10yr	>300,000
Metal Halide	1	15,000
High Pressure Sodium	1	20,000

Lumens Wattage lm/W Mounting Heights

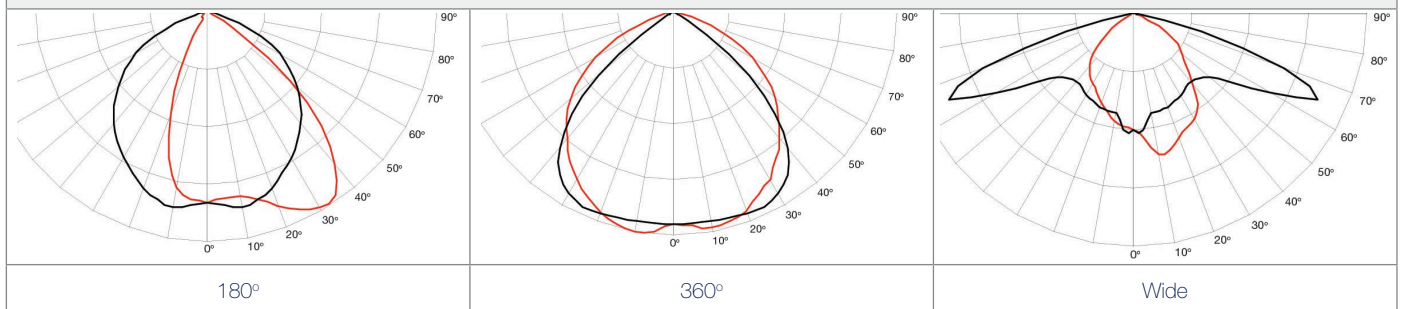
Lumens	Wattage	lm/W	Mounting Heights
9,000	66	136	10m
5,700	40	143	↕ 3m
4,200	30	140	

Dimensions



Dimension in inches [mm]

Beam Distribution



When ordering please refer our website www.dialight.com to view the current versions of all relevant product documentation, including the most up-to-date product data sheets. For the avoidance of doubt, in the event of any discrepancy between the contents of this document and information provided on our website, the information provided on our website shall prevail.

SafeSite® LED Area Light - UL 844 Class I, Div 2

Australia & Asia Order Codes

Current Part Number	Historic Part Number	Fixture Lumens	Wattage	lm/W	Voltage	Colour Temperature (CCT)	Lens	Beam Distribution	Mounting Options
Class I, Div. 1									
ALC7BN26DBWNGN	HZC9N2NDR	5,300	40	133	100-277 VAC, 120-250 VDC	4000K (neutral white)	Tempered glass	360°	316 stainless steel adjustable bracket
ALC7BC26DNWNGN	HZC9N2NDR	5,400	40	135	100-277 VAC, 120-250 VDC	5000K (cool white)	Tempered glass	360°	316 stainless steel adjustable bracket
Class I, Div. 2									
ALD5BN26DNWNGN	HZD9N2N	5,100	40	127	100-277 VAC, 120-250 VDC	4000K (neutral white)	Polycarbonate	360°	316 stainless steel adjustable bracket
ALD7WC27DNWNGN		7,300	64	114	100-277 VAC, 120-250 VDC	5000K (cool white)	Tempered glass	Wide	3/4" NPT
ALD7BC29DNWNGN		9,000	66	136	100-277 VAC, 120-250 VDC	5000K (cool white)	Tempered glass	360°	3/4" NPT
ALD5AN26DCNNGN	HZD8N2NC	4,900	40	122	100-277 VAC, 120-250 VDC	4000K (neutral white)	Tempered glass	180°	Crous Hinds - Champ adapter
Class 2, Div. 1									
ALF5BN26DANNGN	HZF5C2NA, HZF9C2NA	5,100	40	127	100-277 VAC, 120-250 VDC	5000K (cool white)	Polycarbonate	360°	Appleton Mercmaster III adapter

All values typical unless otherwise stated (tolerance +/- 10%).

Part numbers listed in **bold** are typically available in stock.

Part numbers listed in the table above are neutral white. For cool white models, replace the 6th character with a **C**.



Certified to: UL 50E • CSA C22.2 No. 94.2-07

HZXSTAN100S

- 1.00" (1.315" Pole OD) slip-fit stanchion mount

HZXSTAN125S

- 1.25" (1.660" Pole OD) slip-fit stanchion mount

HZXSTAN052S

- 52mm slip-fit stanchion mount

HZXSTAN200S

- 2.00" (2.375" Pole OD) slip-fit stanchion mount

HZXSTAN100T

- 1.00" (1.315" Pole OD) NPT-threaded stanchion mount

HZXSTAN125T

- 1.25" (1.660" Pole OD) NPT-threaded stanchion mount

HZXSTAN150T

- 1.50" (1.900" Pole OD) NPT-threaded stanchion mount

HZXSTAN200T

- 2.00" (2.375" Pole OD) NPT-threaded stanchion mount



HZXW3

- 316 stainless steel bracket

HZXW7

- Aluminum bracket



HZXW4

- 316 stainless steel bracket with 1.5" pipe clamp

HZXW8

- Aluminum bracket with 1.5" pipe clamp



HZXSAFECBLS

- Safety cable kit

When ordering please refer our website www.dialight.com to view the current versions of all relevant product documentation, including the most up-to-date product data sheets. For the avoidance of doubt, in the event of any discrepancy between the contents of this document and information provided on our website, the information provided on our website shall prevail.