

# Vigilant® LED Conveyor Light - CE/UL

## Technical Specifications



### Ratings and Certifications

- 10 year warranty
- L70 >300,000 hours @ 65°C ambient
- RCM / CE / ENEC
- IP66 / 67
- IK07 (glass lens) / IK10 (polycarbonate lens)

\*All features not available on every model. Please refer to product part number pages for model specifics.

### Mechanical Information

<b>Fixture weight:</b>	Polycarb - 6.8 kg (15 lb)
	Glass - 8.2kg (18 lb)
<b>Shipping weight:</b>	Polycarb - 7.7 kg (17 lb)
	Glass - 9.1 kg (20 lb)
<b>Mounting:</b>	34mm slip-fit stanchion mount
<b>Cable Entries:</b>	M25 x 4
<b>Terminals:</b>	0.50 - 4.0mm <sup>2</sup> x 5

### Specifications

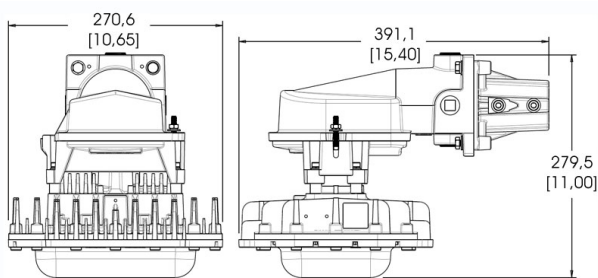
<b>Voltage options:</b>	100-277 VAC 50/60Hz, 120-250 VDC	<b>Housing:</b>	Copper-free aluminium
		<b>Lens:</b>	Hard-coated polycarbonate Tempered glass
<b>Operating temp:</b>	-40°C to +65°C	<b>Finish:</b>	Superior dual coat finish
			- Sealed polyester topcoat
<b>Power factor:</b>	>0.9	<b>CRI:</b>	80
<b>THD:</b>	<20%		<b>CCT:</b>
<b>Surge protection:</b>	6kV / 3kA combination wave, as per IEEE C62.41, line-line and line-ground	4000K (neutral white)	
		2700K (warm white)	

### Comparison

	Warranty	L70
Dialight LED Conveyor Light	10yr	>300,000
High Pressure Sodium	1	24,000
Metal Halide	1	15,000

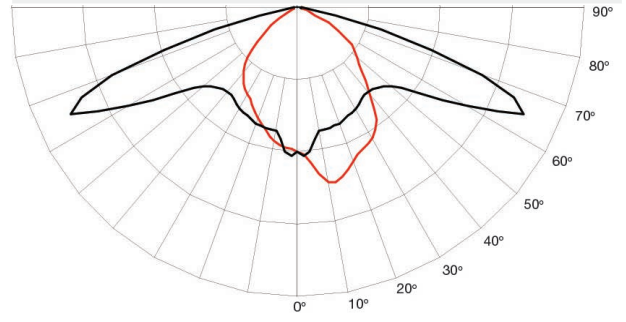
Lumens	Wattage	lm/W	Mounting Heights
6,700	64	105	Up to 6m

### Dimensions

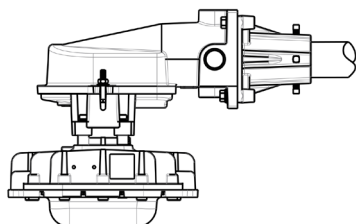


Dimension in mm [inches]

### Beam Distribution



### Mounting Options



34mm Slip-Fit Stanchion Mount Junction Box

When ordering please refer our website [www.dialight.com](http://www.dialight.com) to view the current versions of all relevant product documentation, including the most up-to-date product data sheets. For the avoidance of doubt, in the event of any discrepancy between the contents of this document and information provided on our website, the information provided on our website shall prevail.

# Vigilant® LED Conveyor Light - CE/UL

## Australia & Asia Order Codes

Current Part Number	Historic Part Number	Fixture Lumens	Wattage	lm/W	Voltage	Colour Temperature (CCT)	Lens	Beam Distribution
<b>Australia Models</b>								
<b>ALE5WN27DYNVGN</b>	STWYC2N-CV34	6,500	64	103	120-277 VAC	4000K (neutral white)	Polycarbonate	Wide
<b>ALE5WW27DYNVGN</b>	STWYC2N-CV34	6,000	64	95	120-277 VAC	2700K (warm white)	Polycarbonate	Wide

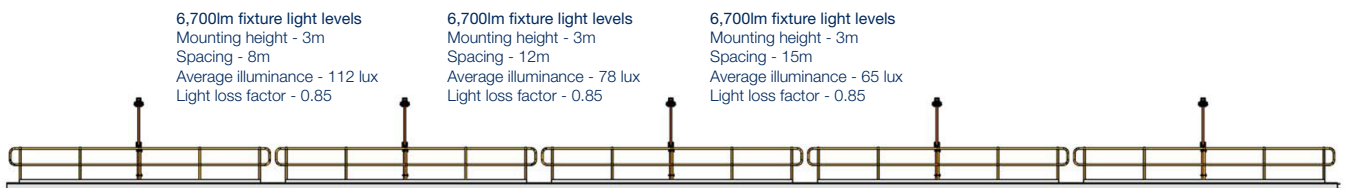
Current Part Number	Historic Part Number	Fixture Lumens	Wattage	lm/W	Voltage	Colour Temperature (CCT)	Lens	Beam Distribution
<b>Asia Models</b>								
<b>ALU5WN27DYNVGN</b>	STWYC2N-CV34	6,500	64	103	120-277 VAC	4000K (neutral white)	Polycarbonate	Wide
<b>ALU5WW27DYNVGN</b>	STWYC2N-CV34	6,000	64	95	120-277 VAC	2700K (warm white)	Polycarbonate	Wide

All values typical unless otherwise stated (tolerance +/- 10%).

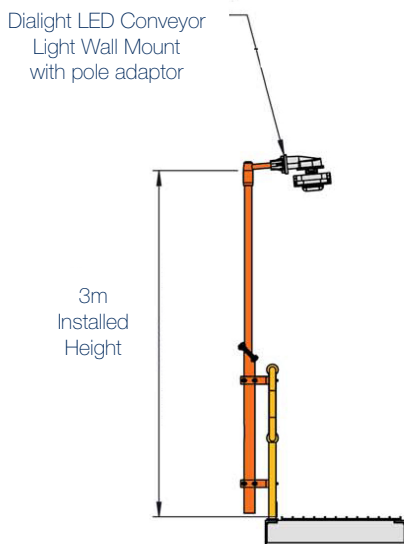
Part numbers listed in **bold** are typically available in stock.

Part numbers listed in the table above are neutral white. For cool white models, replace the 6th character with a **C**.

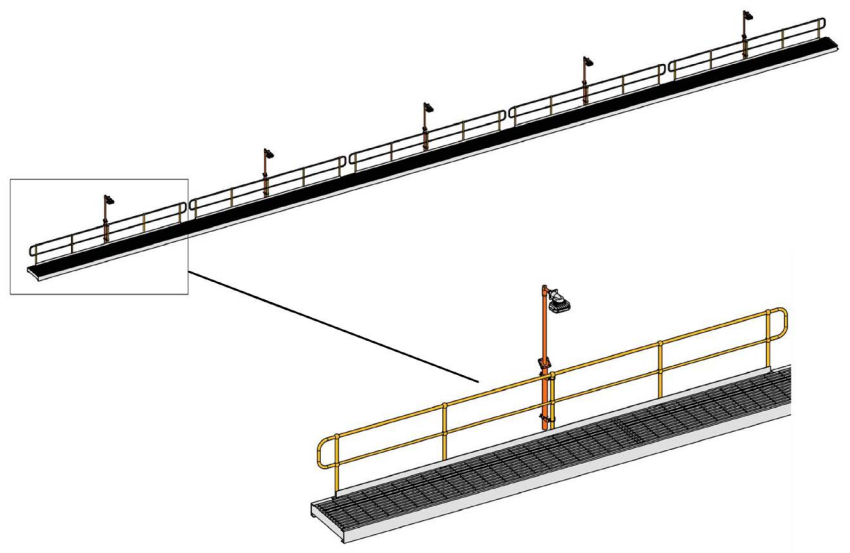
### Spacing Table



### Mounting Options



### Conveyor Light Spacing



When ordering please refer our website [www.dialight.com](http://www.dialight.com) to view the current versions of all relevant product documentation, including the most up-to-date product data sheets. For the avoidance of doubt, in the event of any discrepancy between the contents of this document and information provided on our website, the information provided on our website shall prevail.