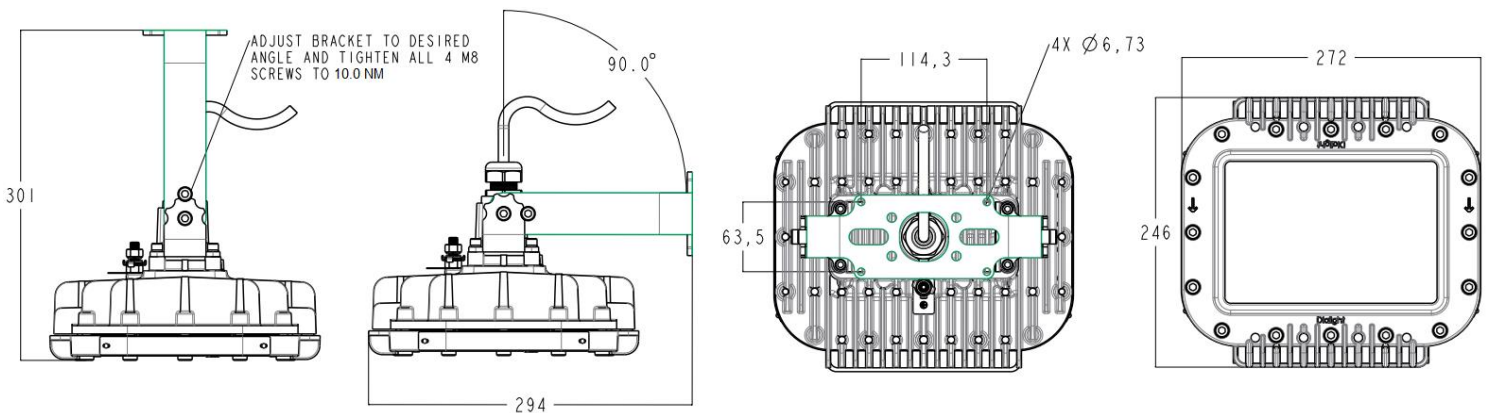
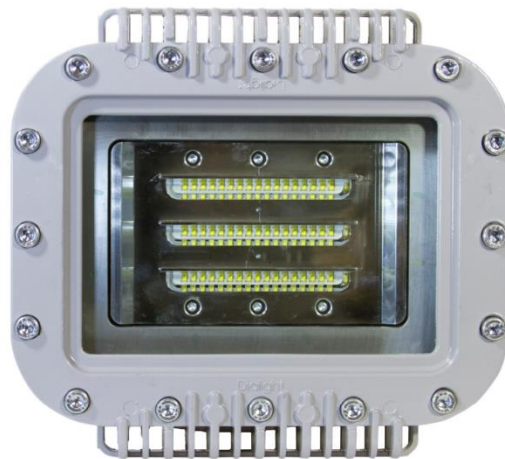


Important
information:

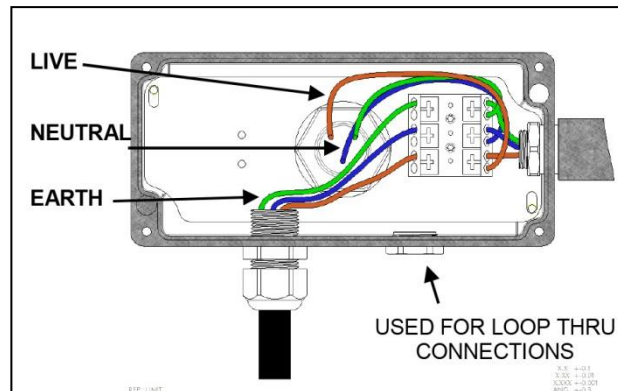
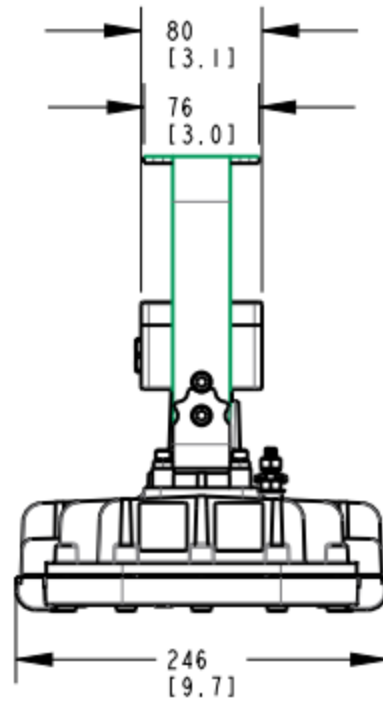
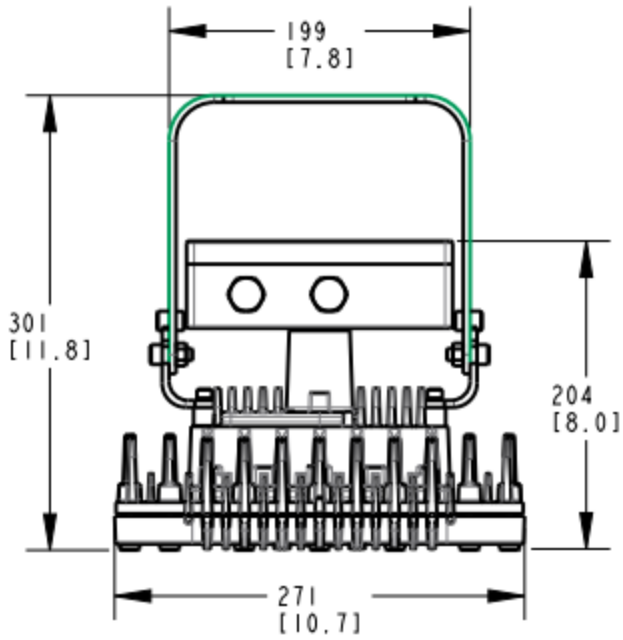
These instructions contain safety information, read and follow them carefully. Dialight will not accept any responsibility for injury, damage or loss which may occur due to incorrect installation, operation or maintenance

Operating Instructions



Languages

English



Safety Instruction:

The installation, operation and maintenance must be carried out by an electrician suitably trained in hazardous areas with knowledge of increased safety explosion protection IEC 60079-07

- The technical data indicated on the LED fixtures are to be observed.
- Changes of the design and modifications to the LED fixture are not permitted
- Repairs must only be carried out by a qualified electrician with hazardous area knowledge
- Observe the national safety rules and regulations during installation.
- NO user serviceable Parts inside.
- NO field replaceable parts.
- DO NOT open when energized or when an Explosive atmosphere may be present
- Potential electrostatic charging hazard REFER TO INSTRUCTIONS
- WARNING: Cable entry may reach 93°C
- Clean only with damp cloth

Technical Data

Category of Application:

Ex II 3GD
Ex nA nC IIC T4 Gc
Ex tc IIIC T130°C Dc IP66

Operating Temp:

T4 = -40°C to +65°C

IECEx:

IECEx SIR 14.0042X

ATEX:

Sira 14ATEX4097X

Input Voltage:

100-277 VAC 50/60Hz

Input Power:

21W (HZB0, HZB1, HZJB0, HZJB1)
38W (HZB2, HZB3, HZJB2, HZJB3)
47W (HZB4, HZB5, HZJB4, HZJB5)
57W (HZB8, HZB9, HZJB8, HZJB9)
68W (HZBE, HZBF, HZJBE, HZJBF)

Housing Material:

Powder Coated
Aluminum

Finish:

Epoxy Powder Coat
Gray RAL 7040

Lens:

Glass

Weight:

Without J/BOX 7.44kg
Single with J/BOX 7.67kg

Dimensions:

See figure 1

Conformity with Standards

This equipment conforms to the standards specified in the Declaration of Conformity. It has been designed, manufactured and tested in accordance with BS EN 9001.

ATEX Directive 2014/34/EU Equipment and protective systems intended for use in potentially explosive atmospheres. EMC Directive 2014/30/EU for electromagnetic compatibility.

Equipment Application

This lighting equipment is intended for use in a potentially explosive atmosphere in Zones 2 and 22 to the requirements of ATEX Directive 2014/34/EU.

Installation

Ensure that the mains voltage supply is disconnected before connecting the luminaire. Install the equipment in accordance with the manufacturer's instructions as well as any other applicable electric codes.

Always transport and store the equipment in its original packaging and keep in a dry location. When unpacking check for any cracks or damage in the housing, glass, and glass frame. If in doubt, do not install.

Electrical Connection:

	COLOURED CABLE	NUMBERED CABLE
LIVE	BROWN	1
NEUTRAL	BLUE	2
GROUND	GRN/YEL	3

Mounting Luminaire

Secure the luminaire using the four fixing locations on the stirrup bracket using fixing bolts not supplied.

***When installing on or over an existing junction box, a cable gland must be used when routing cable through centre wiring hole on stirrup bracket.**

Conditions for use

Improper installation and operation of this luminaire may invalidate the warranty. For maximum long term reliability and light output, the luminaire must be installed in free air.

Installation (Junction Box Versions)

Ensure that the mains voltage supply is disconnected before connecting the luminaire. Install the equipment in accordance with the manufacturer's instructions as well as any other applicable electric codes.

Pay attention when re-fitting the lid to the enclosure; make sure the seals are clean and undamaged. Do not allow any cables to become trapped between the lid and the enclosure and tighten all four screws evenly to 1.7Nm.

Cable Entries

When assembling the cable entries for the mains connection, always observe the manufacturer's specifications for the glands used. Unused cable entries must be closed and sealed by a suitably certified Ex e/Ex tb blanking element which

includes a sealing o-ring.

The cable entries should be securely tightened to ensure that the minimum protection rating is achieved. The cable entry device should be a suitably certified Ex e/Ex tb cable gland which includes a sealing o-ring to maintain the protection level of the fixture.

Cable glands and blanking elements must be fitted with a locknut in order to maintain certification. Threaded entries are intended for guidance only.

Electrical Connection

The terminal block is suitable for multi-stranded and single core cables up to a maximum of 4mm², strip length 10mm.

Single Fixture Electrical Connections:

Push down at the 'cross point' on the terminal block, insert correct wire lead and release, ensuring the wire lead has been securely retained.

The cable used must be suitable for the site application and/or the site requirements.

Loop Thru Electrical Connections:

Connect incoming cable then connect the outgoing cable to the associated adjoining connection to pass to the next luminaire. **ONLY SINGLE CABLES TO BE USED ON EACH CONNECTION.**

Taking into Operation

Prior to operating, check the luminaire for its correct installation in compliance with these operating instructions and other applicable regulations.

Do not over tighten as the protection rating may be compromised.

The glands must be suitable for use within an operating temperature range of -40°C to +90°C. The gland is required for increased safety protection, the entry thread shall be suitably sealed (in accordance with IEC 60079-14) to maintain the ingress protection rating of the fixture.

Electrical Connection

When connecting the conductors extra care should be taken in order to maintain the hazardous protection. The insulation of the conductors shall reach up to the terminal block. The conductor itself shall not be damaged.

The connectible minimum and maximum conductor cross sections shall be observed (see electrical connection data). Remove any foreign bodies from the fixture

Taking into operation

Prior to operating, check the luminaire for its correct installation in compliance with these operating instructions and other applicable regulations.

Attention: Only fully certified equipment may be put into operation. Improper installation and operation of this luminaire may invalidate the warranty.

SafeSite® Area Light Zone 2, 22 ATEX/IECEx for hazardous areas

Maintenance

Disconnect the power supply to the luminaire before maintenance or repair. Wait at least 10 minutes before opening the lid of the luminaire after de-energizing.

This LED Luminaire should require a minimum amount of maintenance. If any unforeseen repairs are required then always observe explosion protection regulations and requirements.

Inspection

Within the scope of maintenance or inspection routine the following should be included. Protective hoses covering the connection cables. Cable entries must be free of corrosion.

Perform visual mechanical and electrical inspections on a regular basis. We recommend routine checks to be made on a yearly basis. Frequency of use and environment should determine this. It is recommended to follow an Electrical Preventive maintenance Program as described in NFPA 70B: Recommended Practice for Electrical Equipment.

Inspect cooling fins on the luminaire to ensure that they are free of any obstructions or contamination (i.e. excessive dust build up). Clean with non – abrasive cloth if needed

Repairs / Overhaul / Modification

The relevant national regulations which apply to the maintenance / servicing of electrical apparatus in explosive atmospheres shall be observed.

Should the Luminaire enclosure be damaged, only a replacement will be permitted. In case of doubt, the equipment should be returned to Dialight Corporation for inspection/repair.

Modifications to the device or changes of its design are not permitted. The equipment must be operated according to the intended purpose in a perfect and undamaged condition.

Disposal Recycling

When the apparatus is disposed of, the respective national regulations on waste disposal should be observed.

Chemical Compatibility Guide

The chemical compatibility data referenced in this manual was supplied by the raw material manufacturers and is intended as a general guide.

The data represents the basic material properties and does not necessarily represent the performance of the final product due to manufacturing process and design variations for each final product. Chemical compatibility is highly dependent on concentration, temperature, humidity, and other environmental conditions and therefore the customer assumes responsibility for evaluation of gaseous or direct contact chemical compatibility at their site prior to product installation.

For general guidelines describing chemical compatibility, visit us at:

www.dialight.com/pubs/MDTFCHEMRFLX001.pdf

Dialight

CE

Year CE Mark Affixed:

15

EU DECLARATION OF CONFORMITY

Manufacturer: Dialight Europe PLC
Exning Road, Newmarket, Suffolk CB8 0AX UK
+44 (0) 1638 665161

Equipment: SafeSite Series LED Area Light

Model Series: HZB Series, HZJB Series

Directives: Equipment and Protective Systems Intended for Use in Potentially Explosive Atmospheres
Directive 2014/34/EU
Low Voltage Directive 2014/35/EU
Electromagnetic Compatibility Directive 2014/30/EU

Standards:

Luminaires - Part I: General Requirements	EN 60598-1:2008
Luminaires - Part 2 : Fixed General Purpose Luminaires	EN 60598-2-1:1979 + A1:1987
Radio Disturbance	EN 55015:2006
EMC - Harmonic Currents	EN 61000-3-2:2006
EMC - Immunity	EN 61547:2009
Explosive atmospheres. Equipment. General requirements	EN 60079-0:2012
Explosive atmospheres - Part 15: Protection "n"	EN 60079-15:2010
Explosive atmospheres - Part 31: Protection by enclosure "t"	IEC 60079-31: 2013

Equipment Marking is based on type examination via SIRA, file # Sira 14ATEX4097X.

Ex II 3GD
Ex nA nC IIC T4 Gc
Ex tc IIIC T130°C Dc
Tamb = -40°C to +65°C

Quality Assurance Notification: Baseefa file (5801)/SIRA file (13ATEXM587).

Quality Management System Accreditation to ISO 9001: BSI file FM518958 / UL DQS file 10002116 QM08

We declare that our products to which this declaration relates are in conformity with the listed directives per the provisions of the aforementioned standards.

X  Date: 14-Apr-2016

Rizwan Ahmad, VP Engineering & Technology - Power & Connectivity
1501 Route 34 South, Farmingdale, NJ 07727 USA

Authorized contact in the EU:
Dialight Europe Ltd.
Exning Road, Newmarket, Suffolk, England, CB8 0AX
+44 (0) 1638 665161

