

Vigilant® LED Area Light

100-277V AC, 120-250V DC

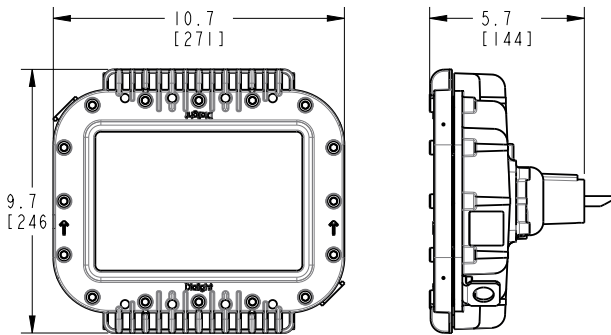


Certifications & Ratings*

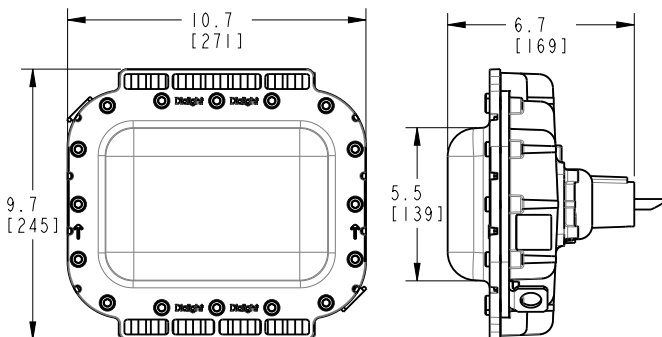
- 10 year warranty
- UL 1598/A
- CSA 22.2 #250.0
- IP66 / 67 / 69
- NEMA 4X

*ETL listed

Tempered Glass Lens



Polycarbonate Lens



Dimensions in inches [mm]

Mechanical Information:

Fixture weight:	10 lbs (4.5 kg) - Polycarbonate lens 12 lbs (5.5 kg) - Tempered glass lens
Wall mount models:	15 lbs (6.8 kg) - Polycarbonate lens 18 lbs (8.2 kg) - Tempered glass lens
45° wall mount models:	14 lbs (6.4 kg) - Polycarbonate lens 17 lbs (7.8 kg) - Tempered glass lens
45° stanchion mount:	15 lbs (6.7 kg) - Polycarbonate lens 18 lbs (8.1 kg) - Tempered glass lens
34mm conveyor mount:	15 lbs (6.7 kg) - Polycarbonate lens 18 lbs (8.1 kg) - Tempered glass lens

Shipping weight: Add 2 lbs (0.91kg) to weights above

Impact rating: IK10 - Polycarbonate lens
IK07 - Tempered glass lens

Vibration resistance: Tested per IEC 60068-2-6

Electrical Specifications:

Operating voltage: 100-277V AC 50/60Hz, 120-250V DC

Operating temperature: -40°F to +149°F (-40°C to +65°C)

EMC: FCC Title 47, Subpart B, Section 15, Class A device
CISPR-15
RF Immunity 20V/m 80MHz-1GHz.

Transient protection: 6 kV, 2 Ohm line-line and line-ground

Harmonics: IEC 61000-3-2, Class C

THD: < 20%

Power factor: > 0.9

Construction:

Housing: Copper free aluminum

Finish: Superior dual coat finish
- Sealed polyester topcoat
- Chemical-resistant epoxy primer

Corrosion resistance: 3,000-hour salt spray per ASTM B117

Lens¹: Hard-coated polycarbonate
Tempered glass

Photometric Information:

CRI: 80

CCT: 5000K (cool white)
4000K (neutral white)
2700K (warm white)

Optics: 360°
180° forward throw for 45° mounting
Wide for 0° mounting

All values typical unless otherwise stated (tolerance +/- 10%)

¹For information on chemical compatibility, please contact your local Dialight representative or follow this link to reference Dialight's Chemical Compatibility Guide:
www.dialight.com/pubs/MDTFCHEMRFLEX001.PDF

Vigilant® LED Area Light

100-277V AC, 120-250V DC

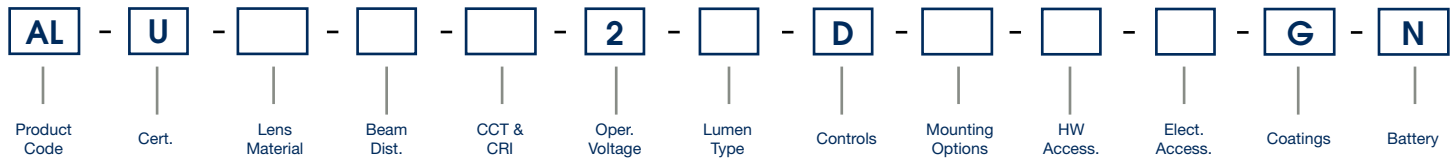


Project Information	
Part Number:	
Project:	
Fixture Type:	Date:

Notes

Specifications

Ordering Information



Product Code

AL Area Light

Certification

U UL 1598/A CSA 22.2 No. 250.0

Lens Material

- 5 Polycarbonate - Diffused
- 7 Glass - Clear

Beam Distribution

- A 180°
- B 360°
- W Wide

CCT & CRI

- C Cool White 5000K - 80 CRI
- N Neutral White 4000K - 80 CRI
- W Warm White 2700K - 80 CRI

Operating Voltage

- 2 100-277 V AC, 120-250 V DC

Lumen Type

- 3 3,001 - 4,000 Lumens
- 4 4,001 - 5,000 Lumens
- 6 5,001 - 6,000 Lumens
- 7 6,001 - 7,000 Lumens
- 9 8,001 - 9,000 Lumens

Controls

- D Dimming (0-10V)

Mounting Options

- Retro-fit Adapter
- *Universal Mounting Adapter (UMA)
- A Appleton Mercmaster III
- B Swivel Bracket, Locking 0° - 90° 316 Stainless Steel
- C Crouse-Hinds - Champ
- G GE Filtr-Gard
- H Thomas & Betts Hazlux
- K Killark Certilite & Certilite V
- M Appleton Mercmaster II
- N 3/4" NPT
- S 45° Stanchion Mount
- U UMA - Mounting Hub
- V 0° Wall Mount
- W 45° Wall Mount
- Y 34mm Conveyor Mount

Hardware Accessories

- 7 14 in (0.35 meter) Leads
- N No Option
- T 1.5 ft (0.5 meter) Power Cable
- U 3 ft (1 meter) Power Cable
- V 6 ft (1.8 meter) Power Cable
- W 10 ft (3 meter) Power Cable

Electrical Accessories

- N No Option
- T IECEx 5 Position Terminal Block
- U 5 Position Terminal Block - screw down
- V 5 Position Terminal Block - push down

Coatings

- G Gray (RAL 7040)

Battery

- N No Option

Notes

- When ordering Beam Distribution W - Wide: Lumen Type = 7.
- When ordering Mounting Options "UMA" or "Retro-fit": Hardware Accessories = N.
- When ordering Mounting Option U - UMA Mounting Hub HZXW01, HZXW45, HZXS45 or HZXC34 is required. See page 20 for details.
- *Terminal block options only available when using "UMA" mounting options.
- For lumen output see page 10.

Lumen Tables

100-277V AC, 120-250V DC									
Output Family	Beam Distribution	Lens	Wattage	Lumens 5000 CCT	5000 CCT lm/W	Lumens 4000 CCT	4000 CCT lm/W	Lumens 2700 CCT	2700 CCT lm/W
9,000	360°	1/4" AR Glass	66	9000	136	8800	134	8200	124
		Class I, Div 1 Glass		8600	131	8400	128	7900	120
		Polycarbonate		8300	127	8100	123	7600	115
	180°	1/4" AR Glass		8800	134	8600	131	8000	121
		Class I, Div 1 Glass		8400	128	8200	125	7700	117
		Polycarbonate		8100	124	7900	120	7400	112
7,300	360°	1/4" AR Glass	52	7300	140	7100	138	6700	129
		Class I, Div 1 Glass		7000	135	6800	132	6400	123
		Polycarbonate		6700	131	6500	126	6100	117
	180°	1/4" AR Glass		7100	138	6900	134	6500	125
		Class I, Div 1 Glass		6800	132	6600	128	6200	119
		Polycarbonate		6600	128	6400	124	6000	115
	Wide	1/4" AR Glass		7300	114	7100	112	6700	105
		Class I, Div 1 Glass		7000	110	6800	107	6400	100
		Polycarbonate		6700	106	6500	103	6100	95
5,700	360°	1/4" AR Glass	40	5700	143	5500	140	5200	130
		Class I, Div 1 Glass		5400	137	5200	132	4900	123
		Polycarbonate		5300	133	5100	130	4800	120
	180°	1/4" AR Glass		5500	140	5300	135	5000	125
		Class I, Div 1 Glass		5300	134	5100	130	4800	120
		Polycarbonate		5100	130	4900	125	4600	115
4,200	360°	1/4" AR Glass	30	4200	140	4100	137	3800	127
		Class I, Div 1 Glass		4000	134	3900	131	3600	120
		Polycarbonate		3900	130	3800	127	3900	130
	180°	1/4" AR Glass		4100	137	4000	134	4100	137
		Class I, Div 1 Glass		3900	132	3800	127	3900	130
		Polycarbonate		3800	127	3700	124	3400	113
3,100	360°	1/4" AR Glass	24	3100	129	3000	127	2800	117
		Class I, Div 1 Glass		2900	124	2900	121	2600	108
		Polycarbonate		2800	120	2700	114	2500	104
	180°	1/4" AR Glass		3000	127	2900	123	2700	113
		Class I, Div 1 Glass		2900	121	2800	118	2600	108
		Polycarbonate		2800	118	2700	114	2500	104

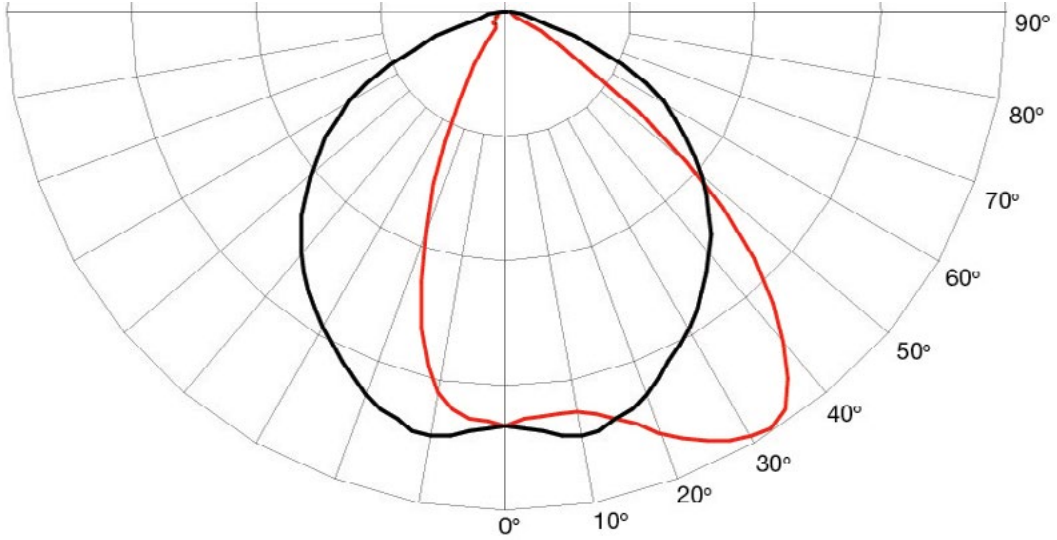
24-48V DC							
Output Family	Beam Distribution	Lens	Wattage	Lumens 5000 CCT	5000 CCT lm/W	Lumens 4000 CCT	4000 CCT lm/W
7,000	360°	1/4" AR Glass	71	7000	99	6800	97
		Class I, Div 1 Glass		6700	95	6500	93
		Polycarbonate		6700	95	6500	93
	180°	1/4" AR Glass		7000	99	6800	97
		Class I, Div 1 Glass		6700	95	6500	93
		Polycarbonate		6700	95	6500	93
5,000	360°	1/4" AR Glass	49	5000	102	4900	100
		Class I, Div 1 Glass		4800	98	4700	96
		Polycarbonate		4800	98	4700	96
	180°	1/4" AR Glass		5000	102	4900	100
		Class I, Div 1 Glass		4800	98	4700	96
		Polycarbonate		4800	98	4700	96
3,000	360°	1/4" AR Glass	27	3000	111	2900	109
		Class I, Div 1 Glass		2800	107	2800	105
		Polycarbonate		2800	107	2800	105
	180°	1/4" AR Glass		3000	111	2900	109
		Class I, Div 1 Glass		2800	111	2800	105
		Polycarbonate		2800	107	2800	105

All values typical unless otherwise stated (tolerance +/- 10%)
 For lighting layouts, please find IES files at www.dialight.com

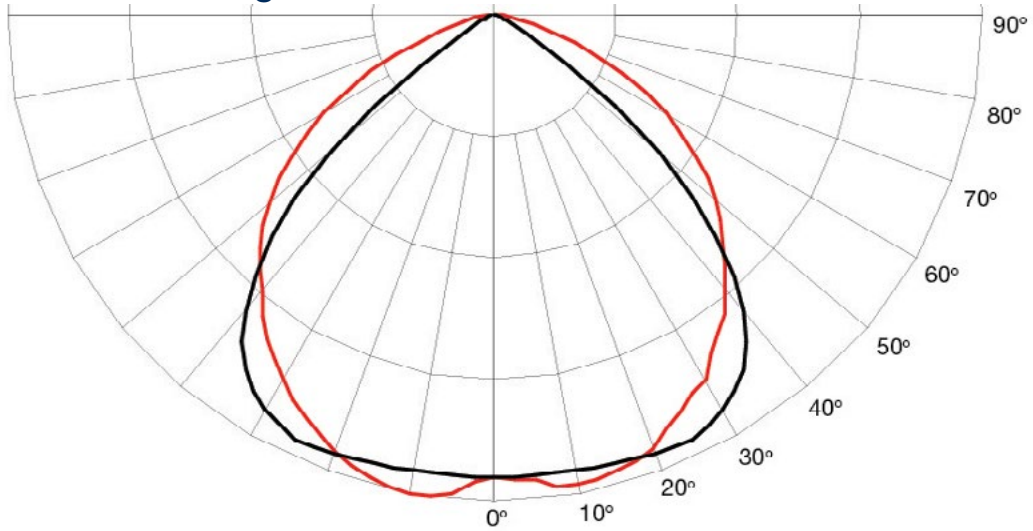
Beam Distribution

100-277V AC, 120-250V DC

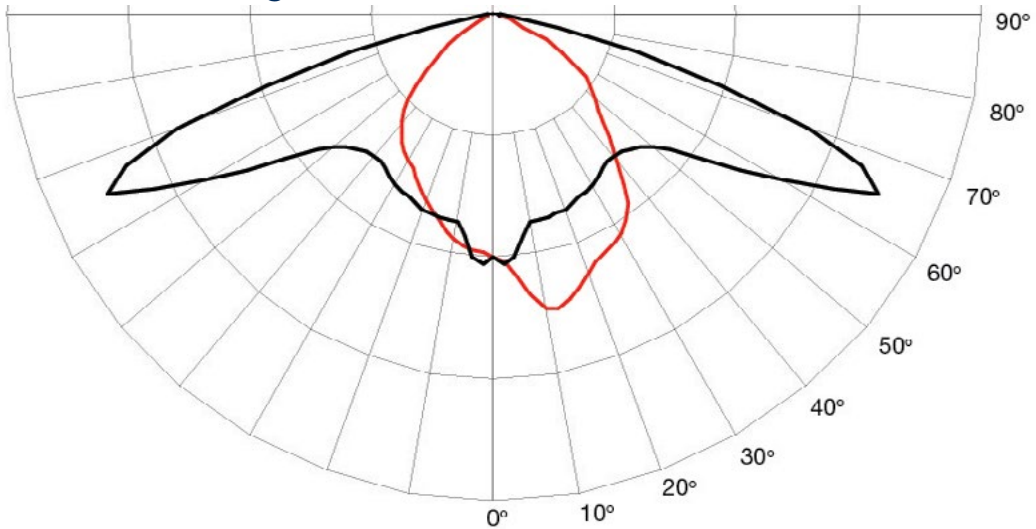
180° Beam Angle



360° Beam Angle



Wide Beam Angle



= 0°
 = 90°