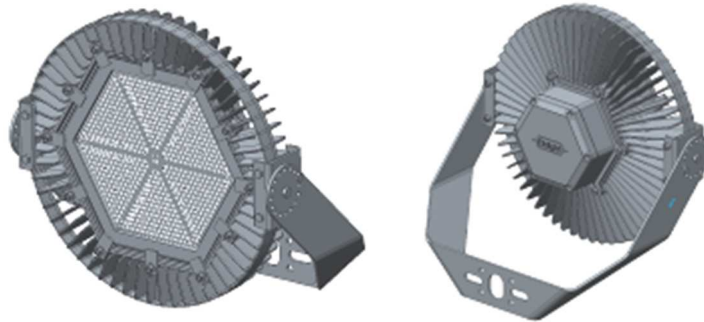


FLOODLIGHT - "FL" VIGILANT SERIES INSTALLATION INSTRUCTIONS



IMPORTANT: Please read carefully before installation and retain for future reference

- To prevent possible shock hazard, the fixture should be installed by a qualified licensed electrician
- All electrical connections must be in accordance with local codes, ordinances and National Electrical Code.
- The use of safety protection such as safety eye glasses and protective gloves are recommended
- Proper grounding of the light fixture is essential for protection from shock, correct operation and the elimination of electrical interference.
- **WARNING:** DO NOT ACCESS JUNCTION AREA WHEN ENERGIZED
- DO NOT mount near gas or electric heaters
- Light fixture should be mounted in locations and at heights where it will not be subjected to tampering by unauthorized personnel
- DO NOT use this light fixture for other than intended use.
- Technical data indicated on the light fixture are to be observed
- Changes or modifications to the light fixture are not permitted
- Repairs must only be carried out by a qualified electrician
- Only genuine Dialight replacement parts must be used when unforeseen repairs are required
- DO NOT keep these operating instructions inside the light fixture.
- Wait 10 minutes before opening after de-energizing the light fixture.

SAVE THESE INSTRUCTIONS!!



DANGER: RISK OF ELECTRICAL SHOCK. TURN OFF MAIN POWER SOURCE BEFORE SERVICE

Always transport and store the equipment in its original packaging and keep in a dry location.
When unpacking check for any cracks or damage to casting and glass lens, if in doubt do not install!
Contact your local Dialight sales representative or visit us at www.dialight.com for contact information

FLOODLIGHT - "FL" VIGILANT SERIES INSTALLATION INSTRUCTIONS

IMPORTANT: Make sure application surface can handle weight of light fixture

* Dialight is not responsible for damage to application surface or fixture, if mounted onto a surface that cannot handle weight of fixture

MOUNTING BRACKET INSTALLATION STEPS:

- Place [2] mounting pads on either end of the mounting bracket
 - Peel off adhesive backing from pad and adhere to mounting bracket as shown [Fig.1a]
- Secure the mounting bracket onto application surface by means of hole pattern on mounting bracket [Fig.1b]
 - Feed source wire through center oval opening of mounting bracket [Fig.1c]

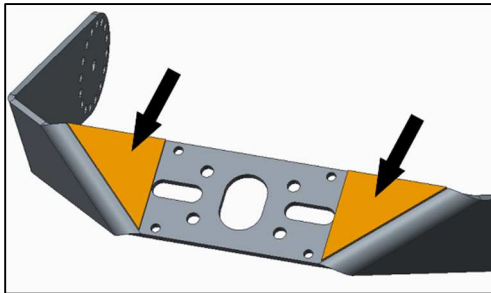


Fig.1a

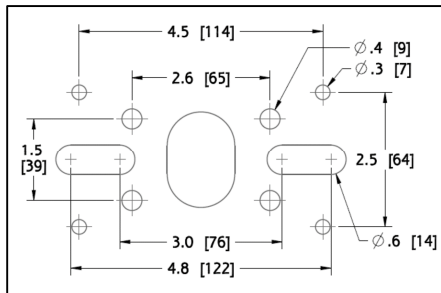


Fig.1b

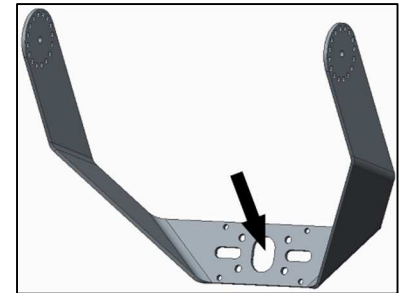


Fig. 1c

LIGHT FIXTURE INSTALLATION STEPS:

- Place light fixture on installed mounting bracket [Fig.3]
- Install center pivoting 5/16 hex bolt on both sides of light fixture [Fig.4] _ **[do not tighten]** _ repeat to other side
- Aim light fixture to desired angle [Fig.5]
- Once desired angle is established, install angle locking 1/4 x 3/4 long hex bolt [Fig.6] _ **[do not tighten]** _ repeat to other side
- Torque all installed bolts as follows:
 - 5/16 center pivoting bolts [Fig.4] suggested torque = 11.5 ft.lb. [15.6 Nm]
 - 1/4 angle position bolts [Fig.6] suggested torque = 6.5 ft.lb. [8.8 Nm]



Fig.3

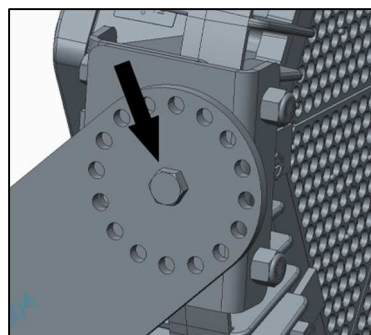


Fig.4

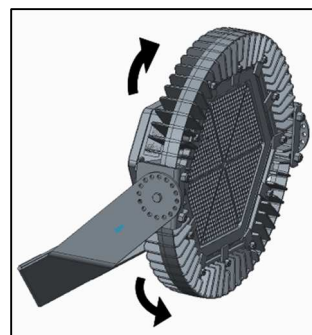


Fig.5

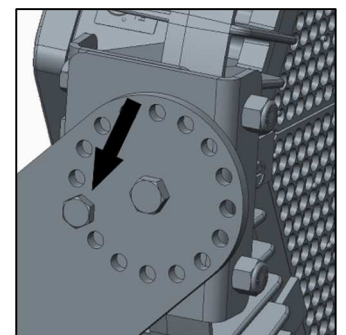


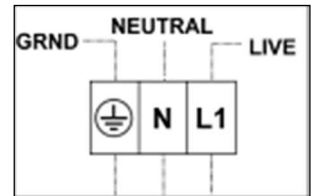
Fig.6

FLOODLIGHT - "FL" VIGILANT SERIES INSTALLATION INSTRUCTIONS

⚠ WARNING: To retain seal integrity (and preserve warranty) do not loosen or remove any of the bolts around the lower perimeter of the rear junction box of the light fixture. Do not loosen or remove any of the bolts around the front glass lens of the light fixture. There are no serviceable components in the light fixture. Removal or loosening of any of these bolts will void all warranties.

WIRING STEPS:

1. Loosen [**do not remove**] the M6 socket bolts around the perimeter of the access cover
2. Remove the access from light fixture [Fig.7]
 _ the access cover has a safety lanyard attached
3. Install a cord grip to suit the gauge source wiring being used [Fig.8]
 - a. cord grip not supplied with light fixture *
 - b. install as per cord grip manufacturer recommendation
4. Feed source wire through installed cord grip into light fixture junction area [Fig.9]
5. Connect source wires to terminal block as described:
 - c. strip SOURCE wires = .39"-.43" [10-11 mm] ___ 12-20 AWG [4.0-0.5 mm²]
 - d. connect SOURCE **GROUND** wire to terminal block position marked with **GROUND SYMBOL**
 - e. connect SOURCE **NEUTRAL** wire to terminal block position marked with "**N**"
 - f. connect SOURCE **LIVE** wire to terminal block position marked with "**L1**"
 _to connect source wires, press down on the tabs on top of the terminal block [with tool] and hold
 insert stripped source wire release tab _ the terminal should now have engaged the inserted wire
 _lightly tug on the inserted wire to ensure engagement has occurred
6. Tighten cord grip as per manufacturer recommendation
7. Once source wires are secured and connected, restore proper power to light fixture and check for illumination



⚠ CAUTION: Do not look directly into module once powered and lit. Use protective shaded eye wear when viewing

9. Once tested and approved _ replace access cover [Fig.7] suggested torque = 3 ft.lb. [0.13 Nm]
 _ make sure o-ring gasket seal is still attached to access cover to assure proper seal

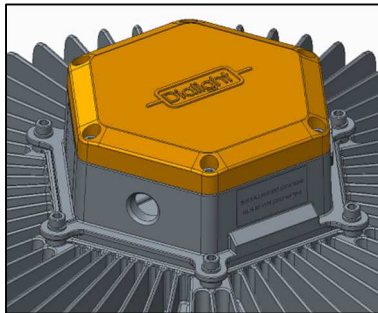


Fig.7

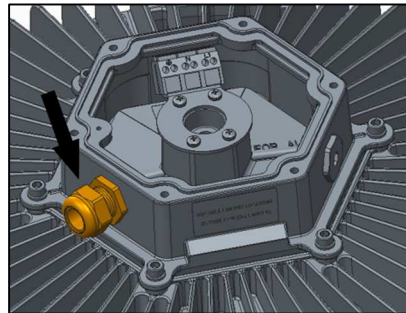


Fig.8

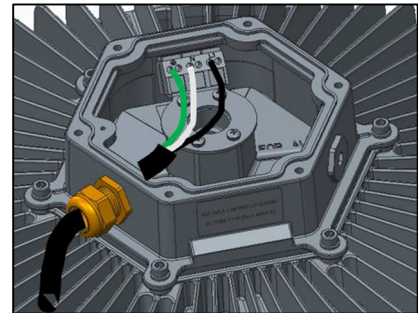
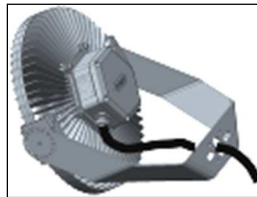


Fig.9



* Dialight is not responsible for selection of cord grip used on the installed light fixture
- Dialight only suggests that the cord grip selected to be used on the installed light fixture conforms to agency specifications required



FLOODLIGHT - “FL” VIGILANT SERIES INSTALLATION INSTRUCTIONS

CHEMICAL COMPATIBILITY GUIDE

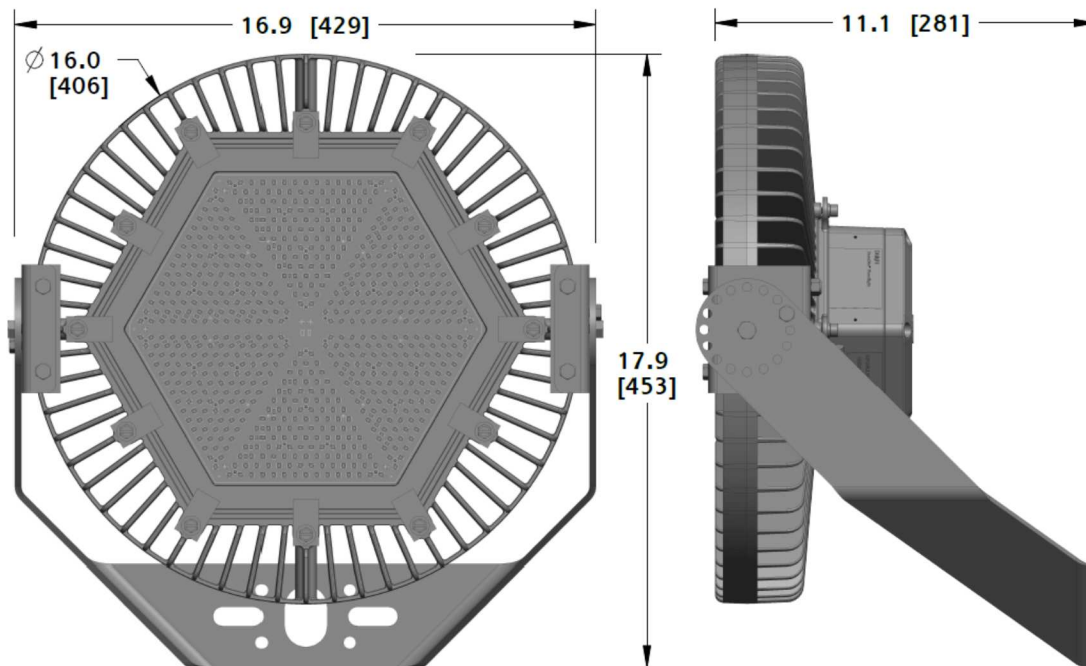
The chemical compatibility data referenced in this manual was supplied by the raw material manufacturers and is intended as a general guide. The data represents the basic material properties and does not necessarily represent the performance of the final product due to manufacturing process and design variations for each final product. Chemical compatibility is highly dependent on concentration, temperature, humidity, and other environmental conditions and therefore the customer assumes responsibility for evaluation of gaseous or direct contact chemical compatibility at their site prior to product installation.

For general guidelines describing chemical compatibility, visit us at: www.dialight.com/pubs/MDTFCHEMRFLX001.pdf

All statements, technical information and recommendations contained herein are based on information and tests we believe to be reliable. The accuracy or completeness thereof is not guaranteed. In accordance with Dialight Corporation “Terms and Conditions of Sale”, and since conditions of use are outside our control, the purchaser should determine the suitability of the product for his intended use and assumes all risk and liability whatsoever in connection therewith.

Mechanical Information

Dimensions



Weight

Light Fixture w/ bracket = 35 lbs [15.9 kg]

