

Vigilant® LED High Bay - High Output

Technical Specifications



Ratings and Certifications

- 10 year warranty
- L70 rated for >125,000 hours
- CSA C22.2 No. 250
- UL 1598
- IP66
- NEMA 4X

*All features not available on every model. Please refer to product part number pages for model specifics.

Mechanical Information

Fixture weight:	
120-277 VAC models	59 lb (26.8 kg)
347/480 VAC models:	75 lb (34.0 kg)

Note: Wire box is installed separately from housing. This allows single installer for fixtures.

120-277 VAC wire box = 6.6 lb (3.0 kg) [mount first]
 480 VAC wire box = 22.6 lb (10.3 kg) [mount first]
 Light fixture (base) = 52.4 lb (23.8 kg) [mount last]

Shipping weight:	
120-277 VAC models	73 lb (33.1 kg)
347/480 VAC models:	90 lb (40.8 kg)
Mounting:	(1) 3/4" NPT - top
	(4) 3/4" NPT - sides

Specifications

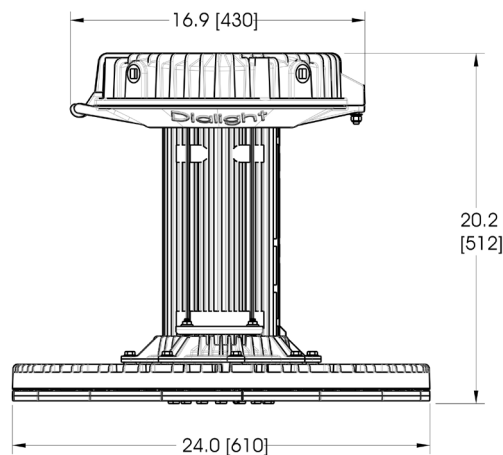
Voltage options:	120-277 VAC	Housing:	Copper-free aluminum
	347/480 VAC		Lens:
Operating temp:	-40°F to +149°F (-40°C to +65°C)	CRI:	75
Power factor:	>0.9	CCT:	5000K (cool white)
THD:	<20%		4000K (neutral white)
Surge protection:	6kV/2 ohm combination wave, as per IEEE C62.41, line-line and line-ground		

Lumens	Wattage	lm/W	Mounting Heights
60,000	480	125	100' or lower
60,000	520	115	

Comparison

	Warranty	L70
Dialight LED High Bay	10yr	>125,000
Metal Halide	1	6,000
High Pressure Sodium	1	20,000

Dimensions

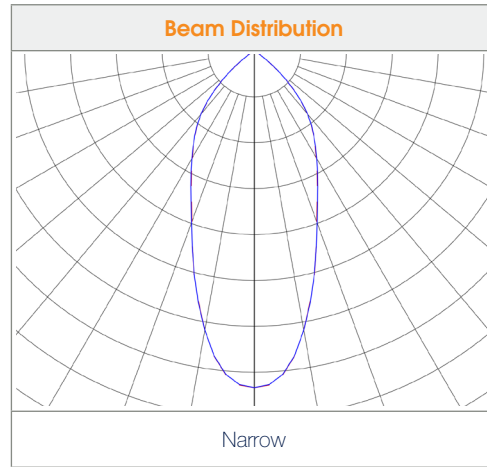


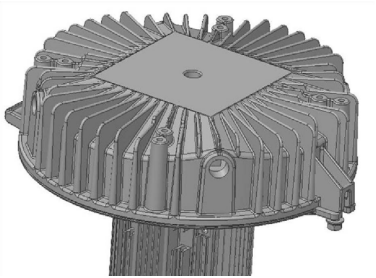

Dimensions in inches [mm]

When ordering please refer our website www.dialight.com to view the current versions of all relevant product documentation, including the most up to date product data sheets. For the avoidance of doubt, in the event of any discrepancy between the contents of this document and information provided on our website, the information provided on our website shall prevail.

Vigilant® LED High Bay - High Output

Accessories



347/480 VAC Models	
	
<p>Wiring Box</p>	<p>Wiring Box Hinge</p>



H6XCAB72

- 72" long stainless steel safety rope
- 3/32" diameter with one wire clamp



HBX-HL

- Hook

Vigilant® LED High Bay - High Output

Ordering Information

Standard Models

Part Number	Fixture Lumen	Watt	lm/W	Warranty	Voltage	CCT	Lens	Beam Distribution
Standard Models - 120-277 VAC Models								
H6UGNC44N-SNNG	60,000	480	125	10yr	120-277 VAC	5000K (cool white)	Tempered glass	Narrow
H6UGMC44N-SNNG	60,000	480	125	10yr	120-277 VAC	5000K (cool white)	Tempered glass	Medium
H6U1NC44N-SNNG	57,500	480	119	10yr	120-277 VAC	5000K (cool white)	Acrylic	Narrow
H6U1MC44N-SNNG	57,500	480	119	10yr	120-277 VAC	5000K (cool white)	Acrylic	Medium
H6U2NC44N-SNNG	56,500	480	117	10yr	120-277 VAC	5000K (cool white)	Polycarbonate	Narrow
H6U2MC44N-SNNG	56,500	480	117	10yr	120-277 VAC	5000K (cool white)	Polycarbonate	Medium
H6UGNC4WN-SNNG	45,000	360	125	10yr	120-277 VAC	5000K (cool white)	Tempered glass	Narrow
H6UGMC4WN-SNNG	45,000	360	125	10yr	120-277 VAC	5000K (cool white)	Tempered glass	Medium
H6U1NC4WN-SNNG	43,250	360	120	10yr	120-277 VAC	5000K (cool white)	Acrylic	Narrow
H6U1MC4WN-SNNG	43,250	360	120	10yr	120-277 VAC	5000K (cool white)	Acrylic	Medium
H6U2NC4WN-SNNG	42,500	360	118	10yr	120-277 VAC	5000K (cool white)	Polycarbonate	Narrow
H6U2MC4WN-SNNG	42,500	360	118	10yr	120-277 VAC	5000K (cool white)	Polycarbonate	Medium
Standard Models - 347 VAC Models								
H6UGNC54N-SNNG	60,000	520	115	10yr	347 VAC	5000K (cool white)	Tempered glass	Narrow
H6UGMC54N-SNNG	60,000	520	115	10yr	347 VAC	5000K (cool white)	Tempered glass	Medium
H6U1NC54N-SNNG	57,500	520	110	10yr	347 VAC	5000K (cool white)	Acrylic	Narrow
H6U1MC54N-SNNG	57,500	520	110	10yr	347 VAC	5000K (cool white)	Acrylic	Medium
H6U2NC54N-SNNG	56,500	520	110	10yr	347 VAC	5000K (cool white)	Polycarbonate	Narrow
H6U2MC54N-SNNG	56,500	520	109	10yr	347 VAC	5000K (cool white)	Polycarbonate	Medium
H6UGNC5WN-SNNG	45,000	380	118	10yr	347 VAC	5000K (cool white)	Tempered glass	Narrow
H6UGMC5WN-SNNG	45,000	380	118	10yr	347 VAC	5000K (cool white)	Tempered glass	Medium
H6U1NC5WN-SNNG	43,250	380	113	10yr	347 VAC	5000K (cool white)	Acrylic	Narrow
H6U1MC5WN-SNNG	43,250	380	113	10yr	347 VAC	5000K (cool white)	Acrylic	Medium
H6U2NC5WN-SNNG	42,500	380	111	10yr	347 VAC	5000K (cool white)	Polycarbonate	Narrow
H6U2MC5WN-SNNG	42,500	380	111	10yr	347 VAC	5000K (cool white)	Polycarbonate	Medium
Standard Models - 480 VAC Models								
H6UGNC94N-SNNG	60,000	520	115	10yr	480 VAC	5000K (cool white)	Tempered glass	Narrow
H6UGMC94N-SNNG	60,000	520	115	10yr	480 VAC	5000K (cool white)	Tempered Glass	Medium
H6U1NC94N-SNNG	57,500	520	111	10yr	480 VAC	5000K (cool white)	Acrylic	Narrow
H6U1MC94N-SNNG	57,500	520	111	10yr	480 VAC	5000K (cool white)	Acrylic	Medium
H6U2NC94N-SNNG	56,500	520	108	10yr	480 VAC	5000K (cool white)	Polycarbonate	Narrow
H6U2MC94N-SNNG	56,500	520	108	10yr	480 VAC	5000K (cool white)	Polycarbonate	Medium
H6UGNC9WN-SNNG	45,000	380	118	10yr	480 VAC	5000K (cool white)	Tempered glass	Narrow
H6UGMC9WN-SNNG	45,000	380	118	10yr	480 VAC	5000K (cool white)	Tempered glass	Medium
H6U1NC9WN-SNNG	43,250	380	113	10yr	480 VAC	5000K (cool white)	Acrylic	Narrow
H6U1MC9WN-SNNG	43,250	380	113	10yr	480 VAC	5000K (cool white)	Acrylic	Medium
H6U2NC9WN-SNNG	42,500	380	111	10yr	480 VAC	5000K (cool white)	Polycarbonate	Narrow
H6U2MC9WN-SNNG	42,500	380	111	10yr	480 VAC	5000K (cool white)	Polycarbonate	Medium

All values typical unless otherwise stated (tolerance +/- 10%).

When ordering please refer our website www.dialight.com to view the current versions of all relevant product documentation, including the most up to date product data sheets.

For the avoidance of doubt, in the event of any discrepancy between the contents of this document and information provided on our website, the information provided on our website shall prevail.

Vigilant® LED High Bay - High Output

Ordering Information

Variable Dimming Models

Part Number	Fixture Lumen	Watt	lm/W	Warranty	Voltage	CCT	Lens	Beam Distribution
Standard Models - 120-277 VAC Models								
H6UGNC44D-SNNG	60,000	480	125	10yr	120-277 VAC	5000K (cool white)	Tempered glass	Narrow
H6UGMC44D-SNNG	60,000	480	125	10yr	120-277 VAC	5000K (cool white)	Tempered glass	Medium
H6U1NC44D-SNNG	57,500	480	119	10yr	120-277 VAC	5000K (cool white)	Acrylic	Narrow
H6U1MC44D-SNNG	57,500	480	119	10yr	120-277 VAC	5000K (cool white)	Acrylic	Medium
H6U2NC44D-SNNG	56,500	480	117	10yr	120-277 VAC	5000K (cool white)	Polycarbonate	Narrow
H6U2MC44D-SNNG	56,500	480	117	10yr	120-277 VAC	5000K (cool white)	Polycarbonate	Medium
H6UGNC4WD-SNNG	45,000	360	125	10yr	120-277 VAC	5000K (cool white)	Tempered glass	Narrow
H6UGMC4WD-SNNG	45,000	360	125	10yr	120-277 VAC	5000K (cool white)	Tempered glass	Medium
H6U1NC4WD-SNNG	43,250	360	120	10yr	120-277 VAC	5000K (cool white)	Acrylic	Narrow
H6U1MC4WD-SNNG	43,250	360	120	10yr	120-277 VAC	5000K (cool white)	Acrylic	Medium
H6U2NC4WD-SNNG	42,500	360	118	10yr	120-277 VAC	5000K (cool white)	Polycarbonate	Narrow
H6U2MC4WD-SNNG	42,500	360	118	10yr	120-277 VAC	5000K (cool white)	Polycarbonate	Medium
Standard Models - 347 VAC Models								
H6UGNC54D-SNNG	60,000	520	115	10yr	347 VAC	5000K (cool white)	Tempered glass	Narrow
H6UGMC54D-SNNG	60,000	520	115	10yr	347 VAC	5000K (cool white)	Tempered glass	Medium
H6U1NC54D-SNNG	57,500	520	110	10yr	347 VAC	5000K (cool white)	Acrylic	Narrow
H6U1MC54D-SNNG	57,500	520	110	10yr	347 VAC	5000K (cool white)	Acrylic	Medium
H6U2NC54D-SNNG	57,500	520	110	10yr	347 VAC	5000K (cool white)	Polycarbonate	Narrow
H6U2MC54D-SNNG	56,500	520	109	10yr	347 VAC	5000K (cool white)	Polycarbonate	Medium
H6UGNC5WD-SNNG	45,000	380	118	10yr	347 VAC	5000K (cool white)	Tempered glass	Narrow
H6UGMC5WD-SNNG	45,000	380	118	10yr	347 VAC	5000K (cool white)	Tempered glass	Medium
H6U1NC5WD-SNNG	43,250	380	113	10yr	347 VAC	5000K (cool white)	Acrylic	Narrow
H6U1MC5WD-SNNG	43,250	380	113	10yr	347 VAC	5000K (cool white)	Acrylic	Medium
H6U2NC5WD-SNNG	42,500	380	111	10yr	347 VAC	5000K (cool white)	Polycarbonate	Narrow
H6U2MC5WD-SNNG	42,500	380	111	10yr	347 VAC	5000K (cool white)	Polycarbonate	Medium
Standard Models - 480 VAC Models								
H6UGNC94D-SNNG	60,000	520	115	10yr	480 VAC	5000K (cool white)	Tempered glass	Narrow
H6UGMC94D-SNNG	60,000	520	115	10yr	480 VAC	5000K (cool white)	Tempered glass	Medium
H6U1NC94D-SNNG	57,500	520	111	10yr	480 VAC	5000K (cool white)	Acrylic	Narrow
H6U1MC94D-SNNG	57,500	520	111	10yr	480 VAC	5000K (cool white)	Acrylic	Medium
H6U2NC94D-SNNG	56,500	520	108	10yr	480 VAC	5000K (cool white)	Polycarbonate	Narrow
H6U2MC94D-SNNG	56,500	520	108	10yr	480 VAC	5000K (cool white)	Polycarbonate	Medium
H6UGNC9WD-SNNG	45,000	380	118	10yr	480 VAC	5000K (cool white)	Tempered glass	Narrow
H6UGMC9WD-SNNG	45,000	380	118	10yr	480 VAC	5000K (cool white)	Tempered glass	Medium
H6U1NC9WD-SNNG	43,250	380	113	10yr	480 VAC	5000K (cool white)	Acrylic	Narrow
H6U1MC9WD-SNNG	43,250	380	113	10yr	480 VAC	5000K (cool white)	Acrylic	Medium
H6U2NC9WD-SNNG	42,500	380	111	10yr	480 VAC	5000K (cool white)	Polycarbonate	Narrow
H6U2MC9WND-SNNG	42,500	380	111	10yr	480 VAC	5000K (cool white)	Polycarbonate	Medium

When ordering please refer our website www.dialight.com to view the current versions of all relevant product documentation, including the most up to date product data sheets.

For the avoidance of doubt, in the event of any discrepancy between the contents of this document and information provided on our website, the information provided on our website shall prevail.