

SafeSite® LED Low Bay

Technical Specifications



Corded Models 100-277 VAC

Mechanical Information:

Fixture weight:

18 lb (8.2 kg)

Shipping weight:

24 lb (10.9 kg)

Mounting:

3/4" NPT - top
Various kits

Power Cord:

18 AWG ST00W

Class I, Div. 2, Groups A,B,C,D
Class II, Div. 1 Groups E, F and G
Class II, Div. 2 Groups F and G
Class III, Div. 1 & 2



Integrated Wiring Box 100-277 VAC

Available with and without hook

Mechanical Information:

Fixture weight:

20 lb (9.1 kg)

Shipping weight:

26 lb (11.8 kg)

Mounting:

3/4" NPT or hook
Various kits

Wiring Box Cable Entries:

(2x) 3/4" NPT

Class I, Div. 2 Groups A, B, C, D
Class II, Div. 2 Groups F and G
Class III, Div. 1 & 2



Wiring Box 347/480 VAC

Mechanical Information:

Fixture weight:

34 lb (15.4 kg)

Shipping weight:

39 lb (17.7 kg)

Mounting:

3/4" NPT - top
Various kits

Entries:

(4x) 3/4" NPT

Class I, Div. 2 Groups A,B,C,D
Class II, Div. 2 Groups F and G
Class III, Div. 1 & 2

Temperature Ratings:

Ambient Temp Range

T4 Temp Code: -40°F to +149°F (-40°C to +65°C)

Ambient Temp Range

T5 Temp Code: -40°F to +131°F (-40°C to +50°C)

Certifications & Ratings:

UL 844 (wet locations)
IP66/67 (100-277 VAC)
NEMA 4X

CSA 22.2 No. 137-M81
IP66 (347/480 VAC)

Variable Dimming:

Variable Dimming Control: 0-10 VDC

Dimming Range:

10 VDC = 100% light output
0 VDC = <5% light output

Electrical Specifications:

Operating voltage: 100-277 VAC, 120-250 VDC
347-480 VAC

Power consumption:

See table

Operating temp:

-40°F to +149°F (-40°C to +65°C)

Harmonics:

IEC 61000-3-2

Noise requirement /EMC:

FCC Title 47, Subpart B, Section 15,
Class A device. RF Immunity; 10V/m,
80MHz-1GHz

Transient protection:

Protection devices capable of
handling up to 10kv. Tested for
6kv/2 ohm combination wave,
as per IEEE C62.41, line-line
and line-ground

THD:

6-18k: <20%
4k: <30%

Power factor:

>0.9

Fusing:

Internal

Construction:

Housing:

Copper-free aluminum

Finish:

Superior dual coat finish
- Sealed polyester topcoat
- Chemical-resistant epoxy primer

Photometric Information:

CRI:

80

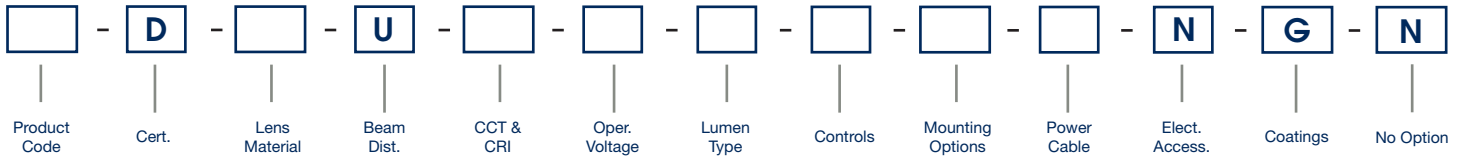
CCT:

5000K (cool white)
4000K (neutral white)
2700K (warm white)

All values typical unless otherwise stated (tolerance +/- 10%)

SafeSite® LED Low Bay

Ordering Information



Product Code

LC	Integrated Pendant Wiring Box
LE	Low Bay
LW	Integrated Hexagon Wiring Box

Certification

D	UL 844 CID2, CIID2, CIID1, CIII
---	---------------------------------

*LC & LW models not available with Class II, Div. 1 Groups E, F and G. Use LE model.

Lens Material

4	Polycarbonate - Clear
5	Polycarbonate - Diffused
L	Polycarbonate Dome - Diffused

*All lens options flat except L

Beam Distribution

U	Ultra Wide
---	------------

CCT & CRI

C	Cool White 5000K - 80 CRI
N	Neutral White 4000K - 80 CRI
W	Warm White 2700K - 80 CRI

Operating Voltage

A ²	347/480 VAC Step Down Transformer (LE only)
2	100-277 VAC / 120-250 VDC

Lumen Type

4	4,000 Lumens
6	6,000 Lumens
9	9,000 Lumens
B	14,000 Lumens
C	18,000 Lumens

Controls

D	Dimming (0-10 VDC)
N	Non Dimming

Mounting Options¹

A	Aluminum HBXW3
B	Stainless Steel HBXW3SSL304
C	Stainless Steel HBXW3SSL316
D	Stainless Steel HBXW3SSL304FT
E	Stainless Steel HBXW3SSL316FT
F	Stainless Steel HBXW3SS (316)
H	Hook
N	Pendant 3/4" NPT
P	Pendant 3/4" NPT Safety Retention Tabs
Q	Safety Retention Tabs with HBXW3
R	Hook with Safety Retention Tabs

Power Cable

V	6' [1.8 meter] Power Cable
W	10' [3 meter] Power Cable
N	No Power Cable (LC & LW only)

Electrical Accessories

N	No Option
---	-----------

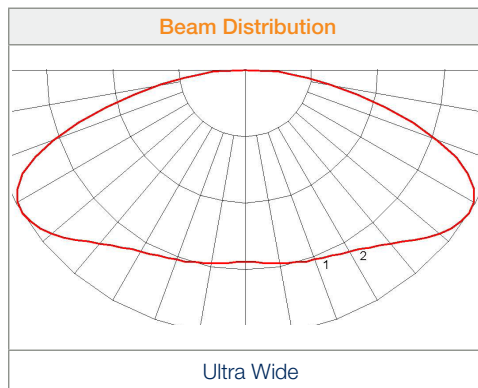
Coatings

G	Gray (RAL 7040)
---	-----------------

Notes

- 1) Mounting options A,B,C,F,Q not applicable for 347-480V model
- 2) 347/480 VAC models come with wiring box & transformers. For 480 VAC add 12W, for 347 VAC add 29W.

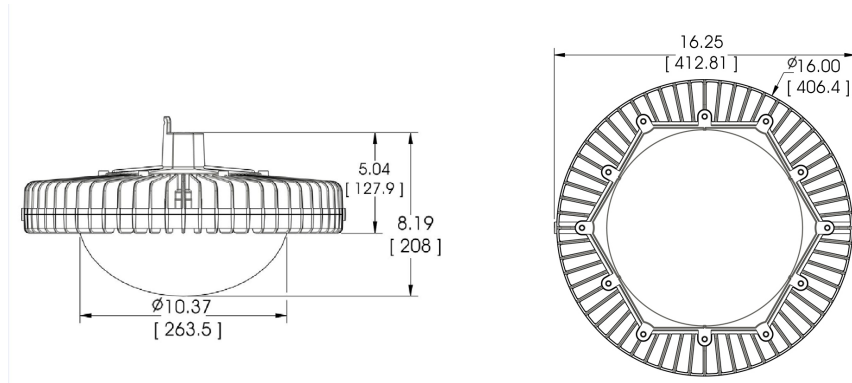
Additional features and selections are available, please see the UL Low Bay Technical Spec Sheet or your Dialight representative for more information.



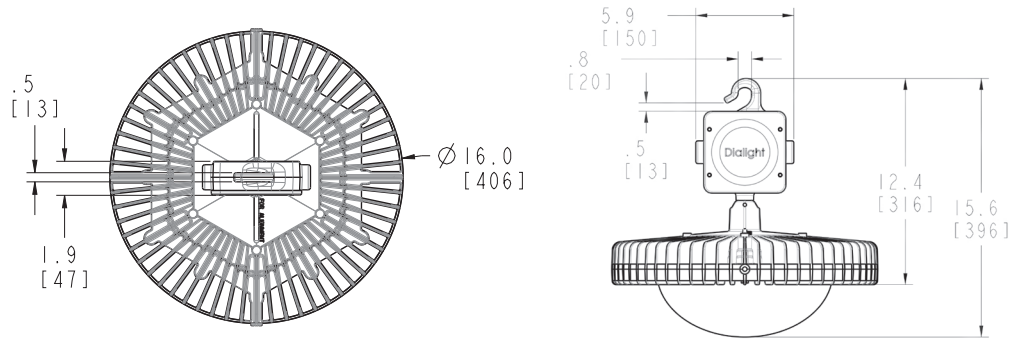
SafeSite® LED Low Bay

Dimensional Drawings

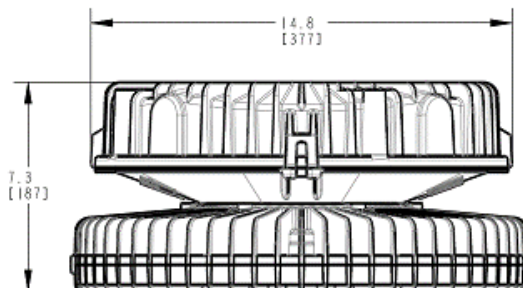
Corded Models 100-277 VAC - CID2, CIID1, CIID2, CIID1, CIID2



Integrated Wiring Box 100-277 VAC - CID2, CIID2, CIID1, CIID2



Wiring Box 347/480 VAC - CID2, CIID2, CIID1, CIID2



When ordering please refer our website www.dialight.com to view the current versions of all relevant product documentation, including the most up to date product data sheets. For the avoidance of doubt, in the event of any discrepancy between the contents of this document and information provided on our website, the information provided on our website shall prevail.

SafeSite® LED Low Bay

Lumen Table & Accessories

Lumen Letter	Wattage	Lens	Material	Diffused/ Clear	Lumens 5000K CCT	Lumens 4000K CCT	Lumens 2700K CCT
C	154	L	Polycarbonate Dome	Diffused	18,000	17,500	15,250
	154	4	Polycarbonate	Clear	17,750	17,250	15,000
	154	2	Acrylic	Clear	17,500	17,000	14,750
B	114	L	Polycarbonate Dome	Diffused	14,000	13,500	12,000
	114	4	Polycarbonate	Clear	13,750	13,250	11,750
	114	2	Acrylic	Clear	13,500	13,000	11,500
9	80	L	Polycarbonate Dome	Diffused	9,000	8,750	7,750
	80	4	Polycarbonate	Clear	8,800	8,500	7,500
	80	2	Acrylic	Clear	8,600	8,400	7,300
6	56	L	Polycarbonate Dome	Diffused	6,000	5,800	5,100
	56	4	Polycarbonate	Clear	5,900	5,750	5,000
	56	2	Acrylic	Clear	5,750	5,600	4,800
4	42	L	Polycarbonate Dome	Diffused	4,000	3,900	3,400
	42	4	Polycarbonate	Clear	3,900	3,800	3,300
	42	2	Acrylic	Clear	3,800	3,700	3,200



HBXW3-SSL-316
HBXW3-SSL-304

- Stainless steel bracket



HBXCAB48

- 48" long stainless steel safety rope (for use with safety bracket)



HBXDC

- 21° slope dust cover
- HBXDC45**
- 45° slope dust cover
- HBXDC60**
- 60° slope dust cover



HBXW3-SSL-304FT

- 304 stainless steel forward throw bracket

HBXW3-SSL-316FT

- 316 stainless steel forward throw bracket



HBXSB316

- Stainless steel (4x)



HBXCG

- Cable gland



HBXW2

- Swivel bracket and cable gland

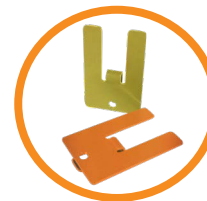
HBXW3

- Swivel bracket



HBXDUALBRCKT

- Dual bracket



HBXFLAG-Y
HBXFLAG-O

- Yellow aluminum
- Orange aluminum



LBXLENP

- Polycarbonate dome lens replacement

When ordering please refer our website www.dialight.com to view the current versions of all relevant product documentation, including the most up to date product data sheets. For the avoidance of doubt, in the event of any discrepancy between the contents of this document and information provided on our website, the information provided on our website shall prevail.