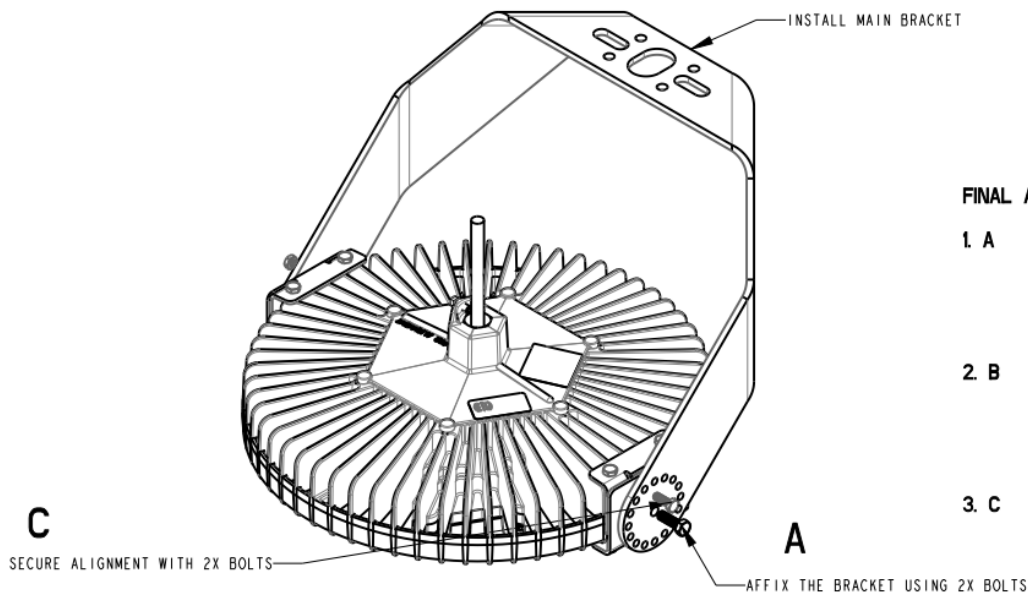
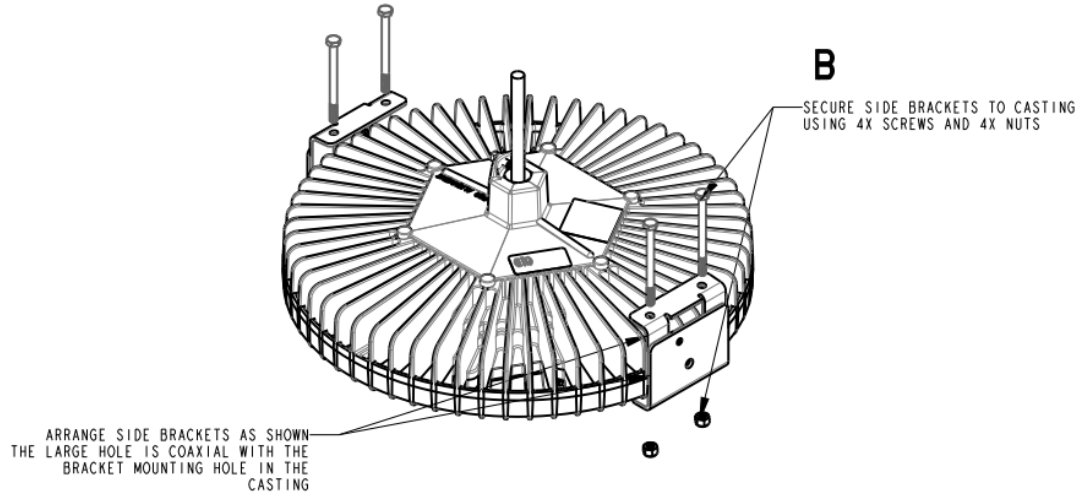





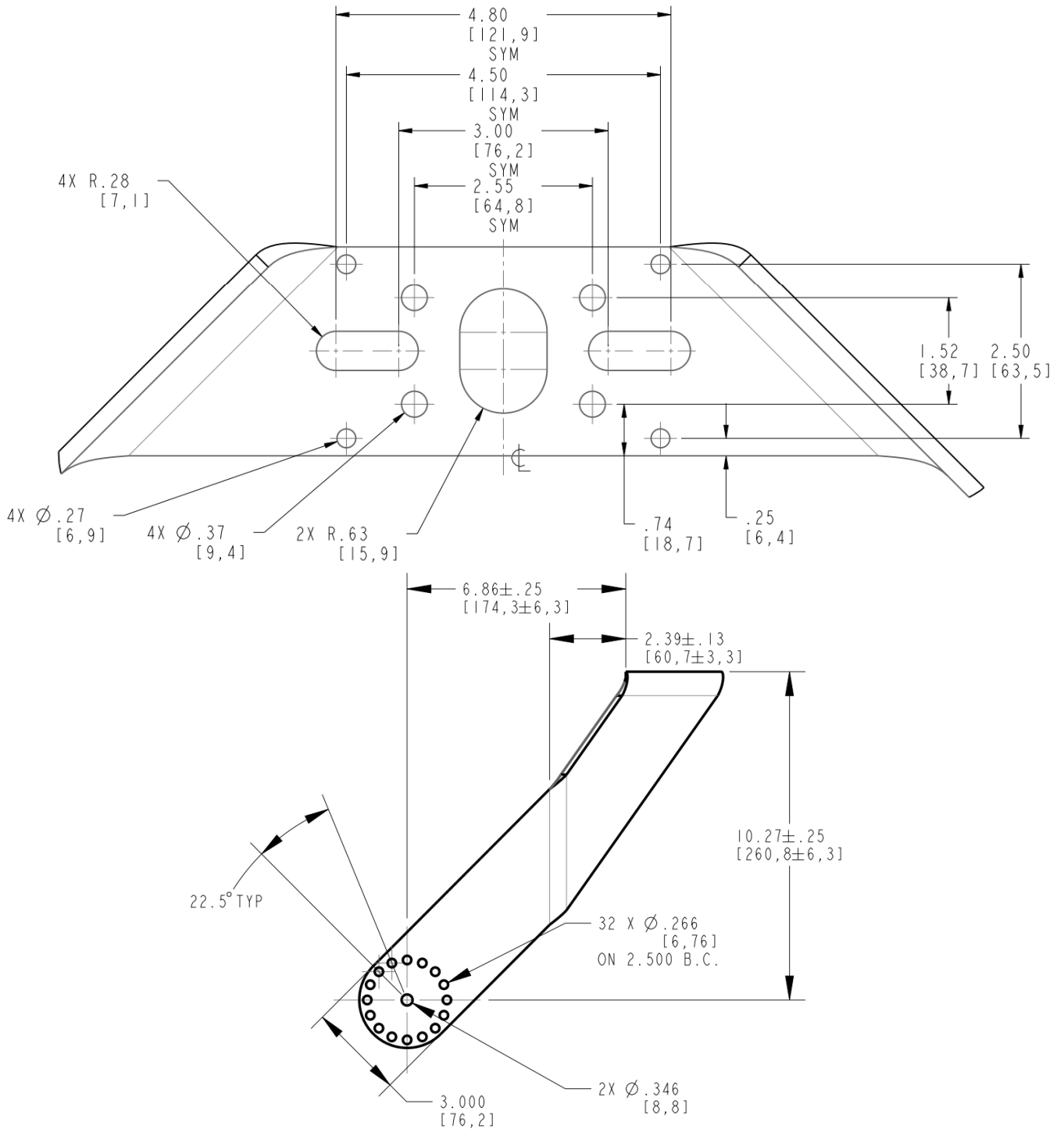
LOOSELY ASSEMBLY HARDWARE AS SHOWN. AFTER BRACKET ASSEMBLY IS COMPLETE, TORQUE THE SCREWS IN THE ORDER INDICATED.



FINAL ASSEMBLY TORQUE VALUES AND ORDER:

1. **A**  TORQUE TO 10-11 FT-LB
2. **B**  TORQUE TO 6-7 FT-LB
3. **C**  TORQUE TO 6-7 FT-LB





All statements, technical information and recommendations contained herein are based on information and tests we believe to be reliable. The accuracy or completeness thereof is not guaranteed. In accordance with Dialight Corporation "Terms and Conditions of Sale", and since conditions of use are outside our control, the purchaser should determine the suitability of the product for his intended use and assumes all risk and liability whatsoever in connection therewith.

