



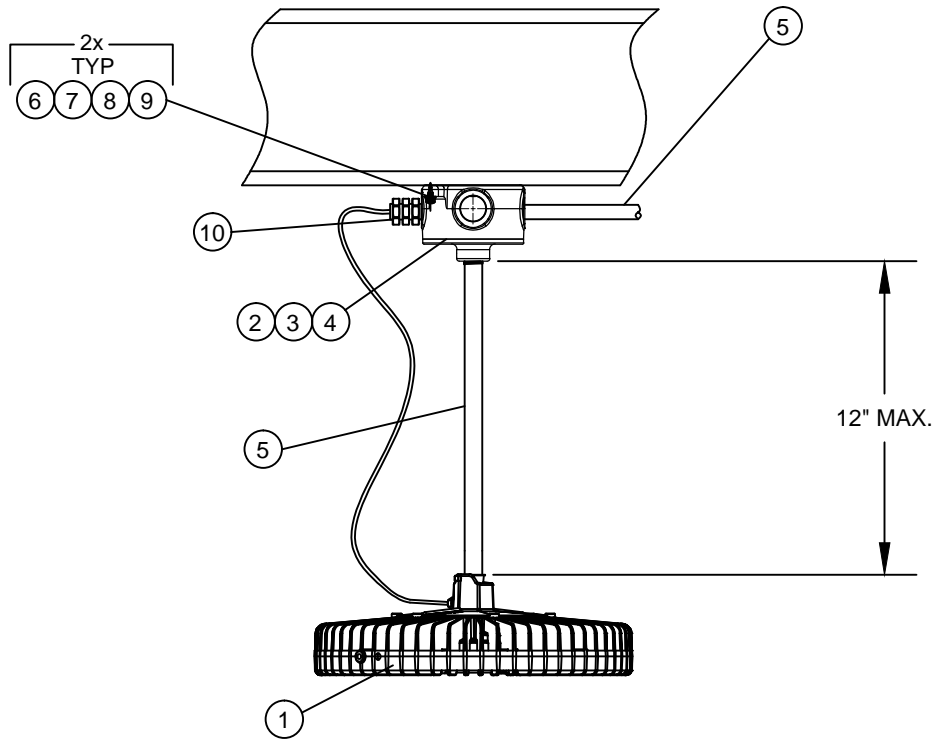
Vigilant LED High Bay - Dimming Mounting Guide

DISCLAIMER: This document is for illustration purposes only. It does not constitute advice, instructions or a manual for the installation of Dialight goods and should not be treated as such. Dialight accepts no liability where this document is used for such purposes. The customer is responsible for compliance with local and national safety laws, best practice codes, and applicable standards when installing electrical equipment and should ensure they adhere to the same.



MDEXHBDMGX001_A


ITEM #	DESCRIPTION	QUANTITY
1	HIGH BAY FIXTURE w/DIMMING, DIALIGHT CAT. NO. HEEXXXXXXXX	1
2	JUNCTION BOX, UL APPROVED, LUMINAIRE HANGER, SUPPLIED BY OTHERS	1
3	GASKET, NEOPRENE, SUPPLIED BY OTHERS	1
4	JUNCTION BOX COVER w/LUMINAIRE HANGER, SUPPLIED BY OTHERS	1
5	CONDUIT, 3/4", RIGID STEEL GALVANIZED	AS REQ'D
6	THREADED STUD, 1/4"-20 x 3/4", SUPPLIED BY OTHERS	2
7	FLAT WASHER, 1/4", HD GALV., SUPPLIED BY OTHERS	2
8	LOCK WASHER, 1/4", HD GALV., SUPPLIED BY OTHERS	2
9	HEX NUT, 1/4"-20, HD GALV., SUPPLIED BY OTHERS	2
10	APPROVED CORD GRIP, IP66 RATED, SUPPLIED BY OTHERS	1



NOTES:

1. SKETCH IS NOT DRAWN TO SCALE.
2. SEE WIRING DIAGRAM ON SHEET 2.

SHEET #	FIXTURE TYPE	REV NO.	DATE	DESCRIPTION	DWN	CHK	APP
1 OF 2	--	01	01/12/15	DETAILED INSTALLATION DRAWING	BS	SB	JP

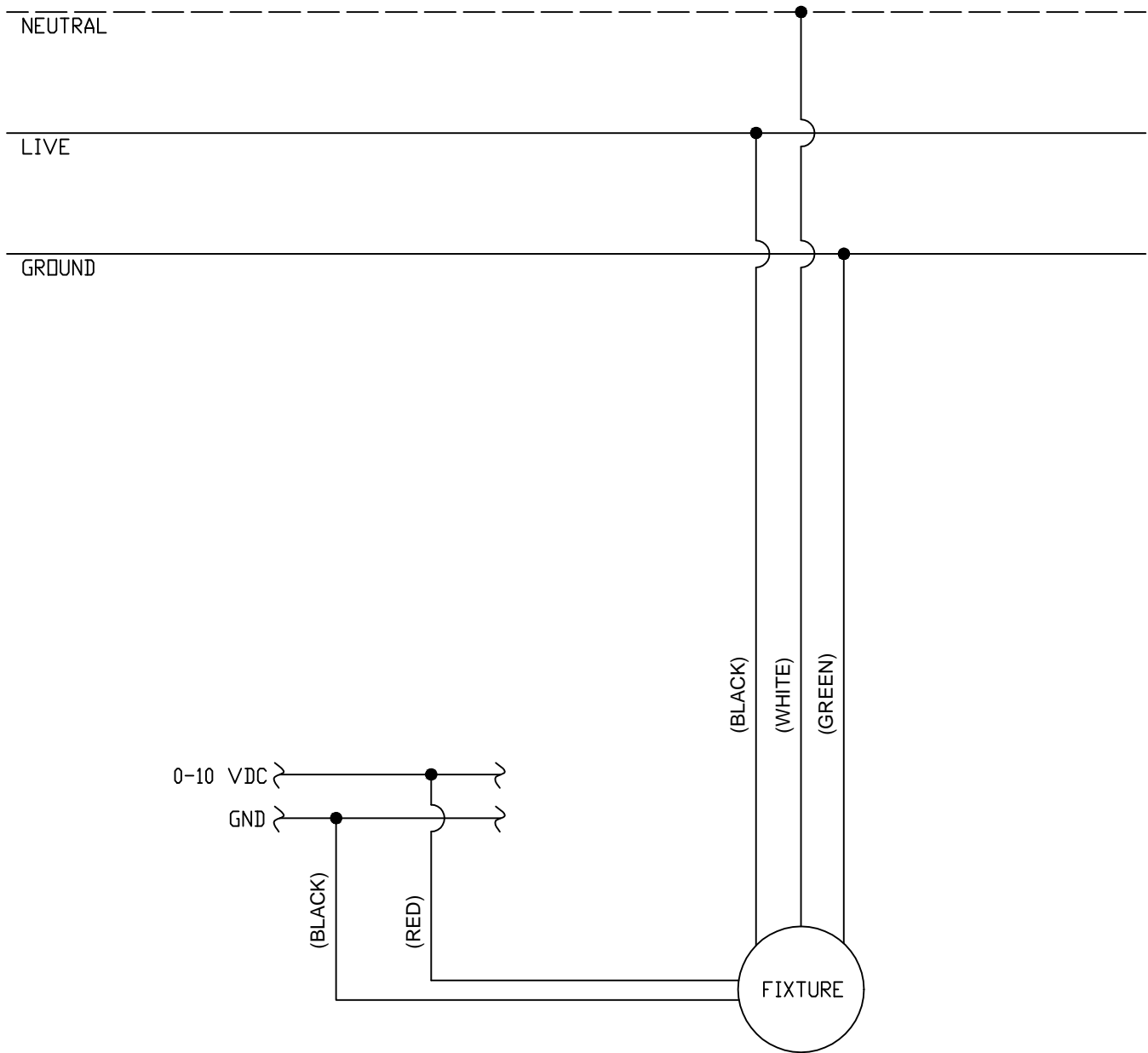
 1501 ROUTE 34 FARMINGDALE, NJ, 07727	DOCUMENT TITLE:		DOCUMENT NO.		REV
	HIGH BAY FIXTURE VIGILANT w/DIMMING PENDANT DROP LESS THAN 12" UNCLASSIFIED		HB-W-G-00-010		01


DISCLAIMER:
 This document is for illustration purposes only. It does not constitute advice, instructions or a manual for the installation of Dialight goods and should not be treated as such. Dialight accepts no liability where this document is used for such purposes. The customer is responsible for compliance with local and national safety laws, best practice codes, and applicable standards when installing electrical equipment and should ensure they adhere to the same.

\\F01\public\Dialight_Website_Drawing_Files\High Bay\Vigilant with Controls\UL+CSA 26K+18K+14K+11K\DuroSite w-Dimming\HB-W-G-00-010.dwg

\\F01\public\Dialight_Website_Drawing_Files\High Bay\Vigilant with Controls\UL+CSA 26K+18K+14K+11K\DuroSite w-Dimming\HB-W-G-00-010.dwg

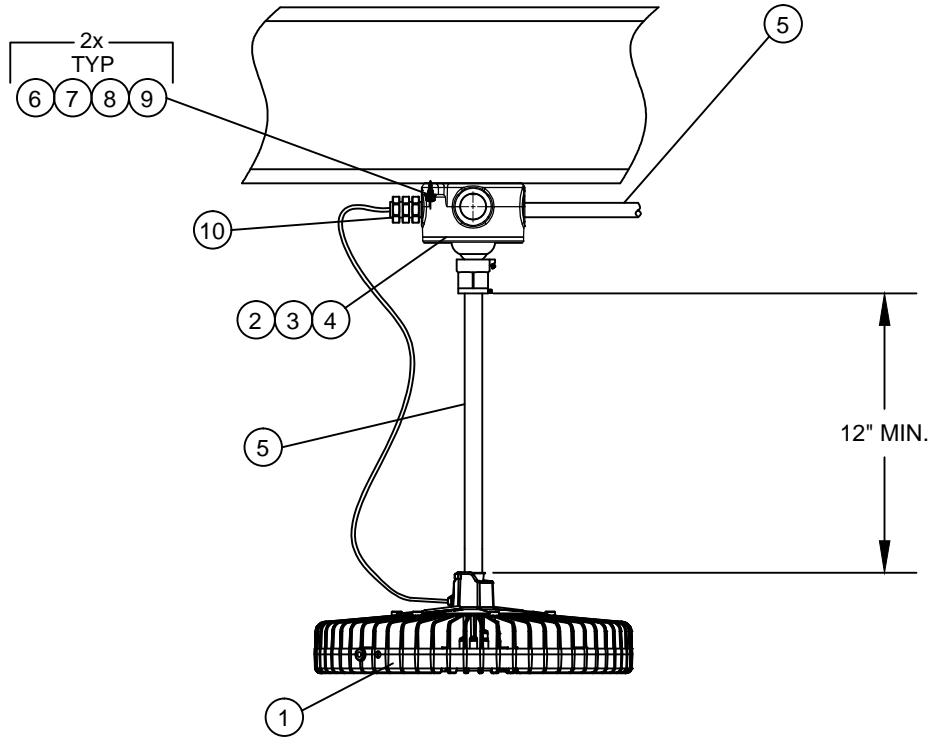
FACILITY BRANCH CIRCUIT



SHEET # <u>2</u> of <u>2</u>	FIXTURE TYPE --	REV NO. 01	DATE 01/12/15	DESCRIPTION DETAILED INSTALLATION DRAWING	DWN BS	CHK SB	APP JP
 1501 ROUTE 34 FARMINGDALE, NJ, 07727	DOCUMENT TITLE:			DOCUMENT NO.		REV	
	HIGH BAY FIXTURE VIGILANT w/DIMMING PENDANT DROP LESS THAN 12" UNCLASSIFIED			HB-W-G-00-010		01	

DISCLAIMER:
 This document is for illustration purposes only. It does not constitute advice, instructions or a manual for the installation of Dialight goods and should not be treated as such. Dialight accepts no liability where this document is used for such purposes. The customer is responsible for compliance with local and national safety laws, best practice codes, and applicable standards when installing electrical equipment and should ensure they adhere to the same.


ITEM #	DESCRIPTION	QUANTITY
1	HIGH BAY FIXTURE w/DIMMING, DIALIGHT CAT. NO. HEEXXXXXXXX	1
2	JUNCTION BOX, UL APPROVED, LUMINAIRE HANGER, SUPPLIED BY OTHERS	1
3	GASKET, NEOPRENE, SUPPLIED BY OTHERS	1
4	JUNCTION BOX COVER w/LUMINAIRE HANGER, FLEXIBLE MOUNT, SUPPLIED BY OTHERS	1
5	CONDUIT, 3/4", RIGID STEEL GALVANIZED	AS REQ'D
6	THREADED STUD, 1/4"-20 x 3/4", SUPPLIED BY OTHERS	2
7	FLAT WASHER, 1/4", HD GALV., SUPPLIED BY OTHERS	2
8	LOCK WASHER, 1/4", HD GALV., SUPPLIED BY OTHERS	2
9	HEX NUT, 1/4"-20, HD GALV., SUPPLIED BY OTHERS	2
10	APPROVED CORD GRIP, IP66 RATED, SUPPLIED BY OTHERS	1



NOTES:

1. SKETCH IS NOT DRAWN TO SCALE.
2. SEE WIRING DIAGRAM ON SHEET 2.

SHEET #	FIXTURE TYPE	REV NO.	DATE	DESCRIPTION	DWN	CHK	APP
1 OF 2	--	01	01/12/15	DETAILED INSTALLATION DRAWING	BS	SB	JP

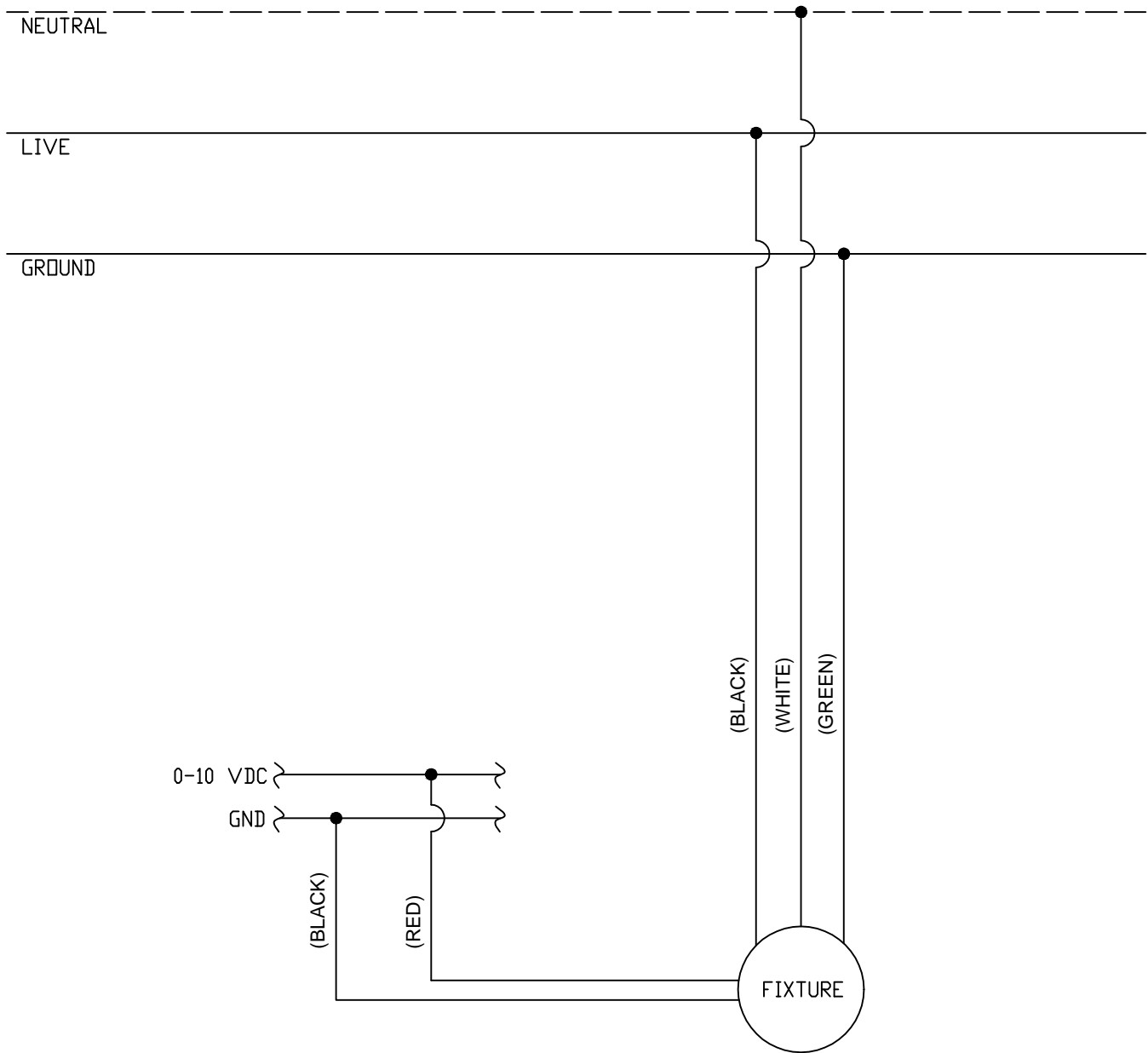
 1501 ROUTE 34 FARMINGDALE, NJ, 07727	DOCUMENT TITLE:	DOCUMENT NO.	REV
	HIGH BAY FIXTURE VIGILANT w/DIMMING PENDANT DROP MORE THAN 12" UNCLASSIFIED	HB-W-G-00-011	01


DISCLAIMER:
This document is for illustration purposes only. It does not constitute advice, instructions or a manual for the installation of Dialight goods and should not be treated as such. Dialight accepts no liability where this document is used for such purposes. The customer is responsible for compliance with local and national safety laws, best practice codes, and applicable standards when installing electrical equipment and should ensure they adhere to the same.

\\F01\public\Dialight_Website_Drawing_Files\High Bay\Vigilant with Controls\UL+CSA 26K+18K+14K+11K\DuroSite w-Dimming\HB-W-G-00-011.dwg

\\F01\public\ Dialight_Website_Drawing_Files\High Bay\Vigilant with Controls\UL+CSA 26K+18K+14K+11K\DuroSite w-Dimming\HB-W-G-00-011.dwg

FACILITY BRANCH CIRCUIT



SHEET # <u>2</u> of <u>2</u>	FIXTURE TYPE --	REV NO. 01	DATE 01/12/15	DESCRIPTION DETAILED INSTALLATION DRAWING	DWN BS	CHK SB	APP JP
 1501 ROUTE 34 FARMINGDALE, NJ, 07727	DOCUMENT TITLE:			DOCUMENT NO.		REV	
	HIGH BAY FIXTURE VIGILANT w/DIMMING PENDANT DROP MORE THAN 12" UNCLASSIFIED			HB-W-G-00-011		01	

DISCLAIMER:
 This document is for illustration purposes only. It does not constitute advice, instructions or a manual for the installation of Dialight goods and should not be treated as such. Dialight accepts no liability where this document is used for such purposes. The customer is responsible for compliance with local and national safety laws, best practice codes, and applicable standards when installing electrical equipment and should ensure they adhere to the same.