

Dialight



Vigilant® LED High Bay - 45,000 - 60,000lm - CE
for Indoor and Outdoor Industrial Applications



On when it matters most.

Products and solutions that protect your business





Features & Benefits

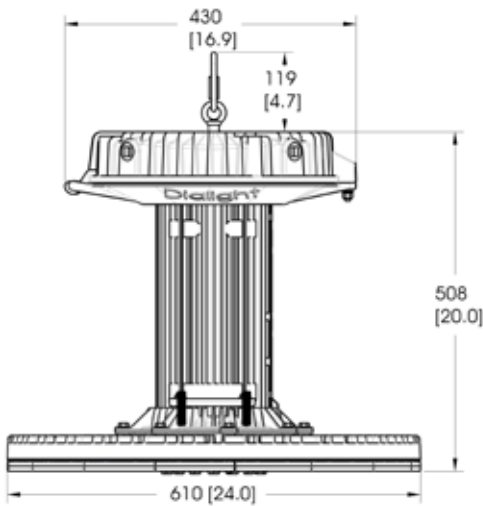
- L70 rated for >125,000 hours @ 25°C ambient
- 10 year warranty
- Industry best efficiency and weight
- Precision optics for high mounting heights
- True 1 for 1 replacement for 1,000W HID
- Low glare
- Temperature compensation technology for long life
- One man installation

Application

At 125 lumens per Watt, Dialight's new 60,000 lumen industrial LED High Bay revolutionizes the world of LED lighting and is by far the most innovative LED fixture available today. With a market-leading 10 year warranty, the 60,000 lm High Bay utilizes cutting-edge optical and electrical design to provide for significantly reduced glare and superior light distribution.

Vigilant® LED High Bay - 42,000 - 60,000lm - CE

Standard Models



Dimensions in mm [inches]

Certifications & Ratings

- CE
 - EN 55015:2013
 - EN 60598:2008
 - EN 61547:2009
 - EN 62471:2008
- IK05 to EN50102
- IP66

Mechanical Information:

Fixture weight:

120 - 277V AC models:	27 kg (59 lbs)
415V AC models:	34 kg (75 lbs)

Shipping weight:

120 - 277V AC models:	33 kg (73 lbs)
415V AC models:	41 kg (90 lbs)

Note that the wire box is installed separately from the housing. This allows single installer for fixtures.

120-277V wire box = 6.6 lb (3 kg) [mount first]

Light fixture (base) = 52.4 lb (23.7 kg) [mount last]

Mounting:

Hook mount
(4) M20 - sides

Electrical Specifications:

Operating voltage:

120 – 277V AC, 50/60Hz
415V AC, 50/60Hz

Total system power consumption:

See table

Operating temperature:

-40°C to +65°C (-40°F to +149°F)

Harmonics:

IEC 61000-3-2

Transient protection:

6kV/3kA combination wave, as per IEEE C62.41, line-line and line-ground

THD:

<20%

Power Factor:

> 0.9

Construction:

Housing:

Copper free aluminum

Finish:

Superior dual coat finish
- Sealed polyester topcoat
- Chemical-resistant epoxy prime

Lens :

Tempered glass, Acrylic, Polycarbonate

Photometric Information:

CRI:

75
80 min. option available

CCT:

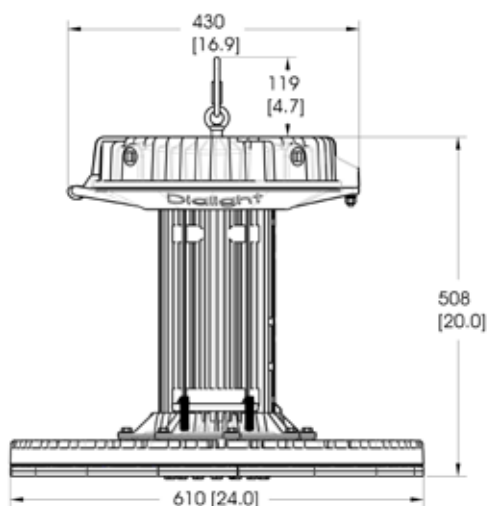
5000K (cool white)
4000K (neutral white)

All values typical unless otherwise stated (tolerance +/- 10%)

For information on chemical compatibility, please follow this link to reference Dialight's Chemical Compatibility Guide:
www.dialight.com/pubs/MDTFCHEMRFLX001.PDF

Vigilant® LED High Bay - 42,000 - 60,000lm - CE

Variable Dimming Models



Dimensions in mm [inches]

Features & Benefits

- Multiple High Bays can be connected to the same dimmer

Mechanical Information:

Fixture weight:

120 - 277V AC models:	29 kg (63 lbs)
415V AC models:	36 kg (79 lbs)

Shipping weight:

120 - 277V AC models:	35 kg (77 lbs)
415V AC models:::	43 kg (94 lbs)

Note that the wire box is installed separately from the housing. This allows single installer for fixtures.

120-277V wire box = 6.6 lb (3 kg) [mount first]
Light fixture (base) = 56.4 lb (25.6 kg) [mount last]

Mounting: Hook mount
(4) M20 - sides

Variable dimming cable: Dimming connection is via 2 conductors

Variable dimming control: 0-10V DC

Dimming range: 10V DC = 100% light output
0V DC = 15% light output

Electrical Specifications:

Operating voltage: 120 – 277V AC, 50/60Hz
415V AC, 50/60Hz

Total system power consumption: See table

Operating temperature: -40°C to +65°C (-40°F to +149°F)

Harmonics: IEC 61000-3-2

Transient protection: 6kV/3kA combination wave, as per IEEE C62.41, line-line and line-ground

THD: <20%

Power Factor: > 0.9

Construction:

Housing: Copper free aluminum

Finish: Superior dual coat finish
- Sealed polyester topcoat
- Chemical-resistant epoxy prime

Lens : Tempered glass, Acrylic, Polycarbonate

Photometric Information:

CRI: 75
80 min. option available

CCT: 5000K (cool white)
4000K (neutral white)

All values typical unless otherwise stated (tolerance +/- 10%)

For information on chemical compatibility, please follow this link to reference Dialight's Chemical Compatibility Guide:
www.dialight.com/pubs/MDTFCHEMRFLX001.PDF

Vigilant® LED High Bay - 42,000 - 60,000lm - CE

Standard Models



H6XCAB72

- 84" stainless steel safety rope

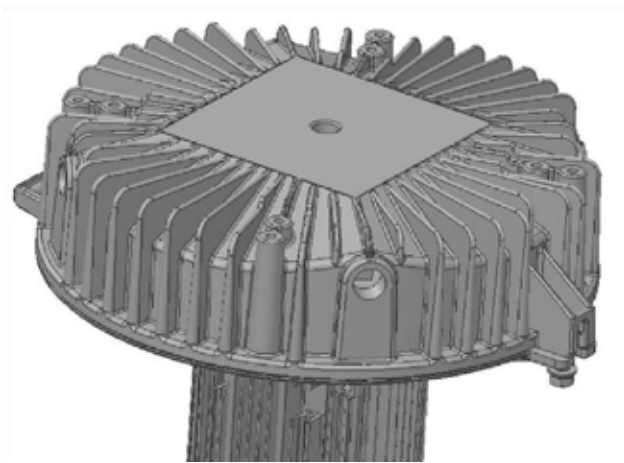
H6XCAB60

- 72" stainless steel safety rope

Note: When included with carabiner, actual cable length is 12" additional inches above stated length

Wiring Box

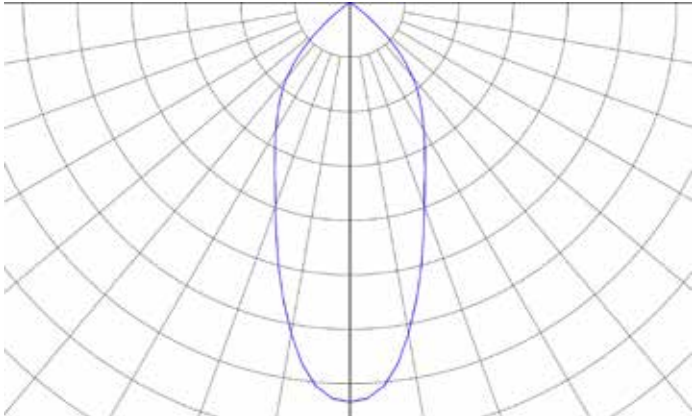
Top Hat Hinge



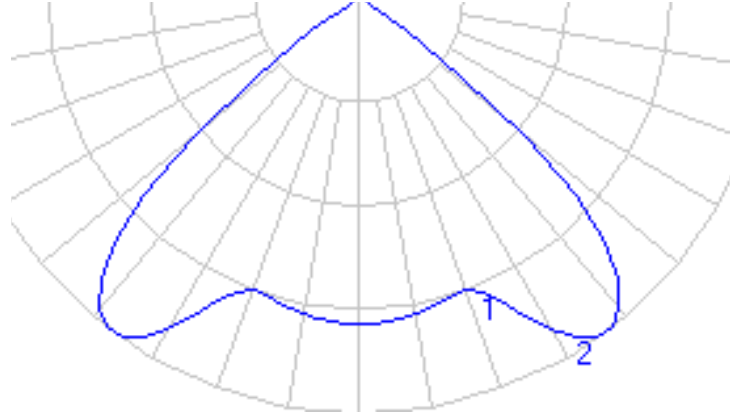
Vigilant® LED High Bay - 42,000 - 60,000lm - CE

Light Distribution Pattern

Narrow pattern



Medium pattern



Vigilant® LED High Bay - 42,000 - 60,000lm - CE

Standard Models

Part Number	Initial Fixture Lumens	Wattage	Lm/W	IP Rating	Voltage	Colour Temperature (CCT)	Lens	Light Distribution
Standard Models - 120 - 277V AC								
H6EGMC44N-HNNG	60,000	480	125	IP66	120 - 277V AC	5000K (cool white)	Tempered glass	Medium
H6EGNC44N-HNNG	60,000	480	125	IP66	120 - 277V AC	5000K (cool white)	Tempered glass	Narrow
H6E1MC44N-HNNG	57,500	480	125	IP66	120 - 277V AC	5000K (cool white)	Acrylic	Medium
H6EGNC4WN-HNNG	45,000	360	125	IP66	120 - 277V AC	5000K (cool white)	Tempered glass	Narrow
H6E1MC4WN-HNNG	43,250	360	120	IP66	120 - 277V AC	5000K (cool white)	Acrylic	Medium
H6E1NC4WN-HNNG	43,250	360	120	IP66	120 - 277V AC	5000K (cool white)	Acrylic	Narrow
H6E2MC4WN-HNNG	42,500	360	118	IP66	120 - 277V AC	5000K (cool white)	Polycarbonate	Medium
H6E2NC4WN-HNNG	42,500	360	118	IP66	120 - 277V AC	5000K (cool white)	Polycarbonate	Narrow
Standard Models - 415V AC								
H6EGMC84N-HNNG	60,000	520	125	IP66	415V AC	5000K (cool white)	Tempered glass	Medium
H6EGNC84N-HNNG	60,000	520	125	IP66	415V AC	5000K (cool white)	Tempered glass	Narrow
H6E1MC84N-HNNG	57,500	520	111	IP66	415V AC	5000K (cool white)	Acrylic	Medium
H6E1NC84N-HNNG	57,500	520	111	IP66	415V AC	5000K (cool white)	Acrylic	Narrow
H6EGMC8WN-HNNG	45,000	380	118	IP66	415V AC	5000K (cool white)	Tempered glass	Medium
H6EGNC8WN-HNNG	45,000	380	118	IP66	415V AC	5000K (cool white)	Tempered glass	Narrow
H6E1MC8WN-HNNG	43,250	380	113	IP66	415V AC	5000K (cool white)	Acrylic	Medium
H6E1NC8WN-HNNG	43,250	380	113	IP66	415V AC	5000K (cool white)	Acrylic	Narrow
H6E2MC8WN-HNNG	42,500	380	111	IP66	415V AC	5000K (cool white)	Polycarbonate	Medium
H6E2NC8WN-HNNG	42,500	380	111	IP66	415V AC	5000K (cool white)	Polycarbonate	Narrow

All values typical unless otherwise stated, Lumen values are typical (tolerance +/- 10%).

All models shown in table are 5000K (cool white) CCT. For models needing 4000K (neutral white) CCT replace the 6th character with a **N**. Example: H6EGNC44N-SNNG becomes H6EGN**N**44N-SNNG

Vigilant® LED High Bay - 42,000 - 60,000lm - CE

Variable Dimming Models

Part Number	Initial Fixture Lumens	Wattage	Lm/W	IP Rating	Voltage	Colour Temperature (CCT)	Lens	Light Distribution
Variable Dimming Models - 120 - 277V AC								
H6EGMC44D-HNNG	60,000	480	125	IP66	120 - 277V AC	5000K (cool white)	Tempered glass	Medium
H6EGNC44N-HNNG	60,000	480	125	IP66	120 - 277V AC	5000K (cool white)	Tempered glass	Narrow
H6EGMC44D-HNNG	45,000	360	125	IP66	120 - 277V AC	5000K (cool white)	Tempered glass	Medium
H6EGNC44D-HNNG	45,000	360	125	IP66	120 - 277V AC	5000K (cool white)	Tempered glass	Narrow
H6E1MC4WD-HNNG	43,250	360	120	IP66	120 - 277V AC	5000K (cool white)	Acrylic	Medium
H6E1NC4WD-HNNG	43,250	360	120	IP66	120 - 277V AC	5000K (cool white)	Acrylic	Narrow
H6E2MC4WD-HNNG	42,500	360	118	IP66	120 - 277V AC	5000K (cool white)	Polycarbonate	Medium
H6E2NC4WD-HNNG	42,500	360	118	IP66	120 - 277V AC	5000K (cool white)	Polycarbonate	Narrow
Variable Dimming Models - 415V AC								
H6EGMC84D-HNNG	60,000	520	111	IP66	415V AC	5000K (cool white)	Tempered glass	Medium
H6EGNC84D-HNNG	60,000	520	111	IP66	415V AC	5000K (cool white)	Tempered glass	Narrow
H6E1MC84D-HNNG	57,500	520	111	IP66	415V AC	5000K (cool white)	Acrylic	Medium
H6E1NC84D-HNNG	57,500	520	111	IP66	415V AC	5000K (cool white)	Acrylic	Narrow
H6EGMC8WD-HNNG	45,000	380	118	IP66	415V AC	5000K (cool white)	Tempered glass	Medium
H6EGNC8WD-HNNG	45,000	380	118	IP66	415V AC	5000K (cool white)	Tempered glass	Narrow
H6E1MC8WD-HNNG	43,250	380	113	IP66	415V AC	5000K (cool white)	Acrylic	Medium
H6E1NC8WD-HNNG	43,250	380	113	IP66	415V AC	5000K (cool white)	Acrylic	Narrow
H6E2MC8WD-HNNG	42,500	380	111	IP66	415V AC	5000K (cool white)	Polycarbonate	Medium
H6E2NC8WD-HNNG	42,500	380	111	IP66	415V AC	5000K (cool white)	Polycarbonate	Narrow

All values typical unless otherwise stated, Lumen values are typical (tolerance +/- 10%).

All models shown in table are 5000K (cool white) CCT. For models needing 4000K (neutral white) CCT replace the 6th character with a **N**. Example: H6EGNC44N-SNNG becomes H6EGN**N**44N-SNNG

North American HQ

1501 Route 34 South
Farmingdale, NJ 07727
Tel: 732-919-3119
Fax: 732-751-5778
info@dialight.com

EMEA Technical Centre

Ejby Industrivej 91 B
200 Glostrup
Tel: +45 8877 4545 (Denmark)
Tel: +44 1638 666541 (UK)
Tel: +49 89 12089 5713 (Germany)
Tel: +33 3 23 22 62 58 (France)
sales-europe@dialight.com

Houston

16830 Barker Springs Rd
Ste 407
Houston, TX 77084
Tel: 732-919-3119
Fax: 281-492-1531
info@dialight.com

Middle East

Level 42
Emirates Towers (Office Tower)
Sheikh Zayed Road
Dubai, United Arab Emirates
Fax: +971 (0) 4319 7686
Tel: +971 (0) 4319 7686

Australia

38 O'Malley Street
Osborne Park, WA 6017
Tel: +61 (0) 8 9244 7600
Fax: +61 (0) 8 9244 7601
info@dialight.com.au

Southeast Asia

33 Ubi Avenue 3
#07-72 Vertex (Tower A)
Singapore 408868
Tel: +65 6578 7157
Fax: +65 6578 7150
enquiry@dialight.com.sg

Brazil

Alameda Mercurio,
225 – American Park Empresarial NR
Indaiatuba – SP – 13347– 662
Tel: +55 (19) 3113-4300
Fax: +55 (19) 3113-4300
brasil@dialight.com

ALL VALUES ARE DESIGN OR TYPICAL VALUES WHEN MEASURED UNDER LABORATORY CONDITIONS. THE LIGHTING EFFICIENCY STATEMENTS CONTAINED HEREIN ARE CALCULATED ON A LUMEN PER WATTS BASIS WHEN COMPARING FIXTURES WITH SIMILAR FEATURES. ALL INFORMATION PROVIDED IS ACCURATE AS OF THE DATE OF PUBLICATION, IS SUBJECT TO CHANGE WITHOUT NOTICE AND DOES NOT FORM PART OF ANY CONTRACT WITH DIALIGHT. DIALIGHT DOES NOT WARRANT OR REPRESENT THAT ITS PRODUCTS ARE FIT FOR ANY PARTICULAR PURPOSE AND HAS NO RESPONSIBILITY FOR THE [INAPPROPRIATE/UNAUTHORISED/NON-APPROVED] USE OF ANY DIALIGHT PRODUCTS BY THE END USER.

Dialight reserves the right to make changes at any time in order to supply the best product possible.

The most current version of this document will always be available at: www.dialight.com