

# Dialight

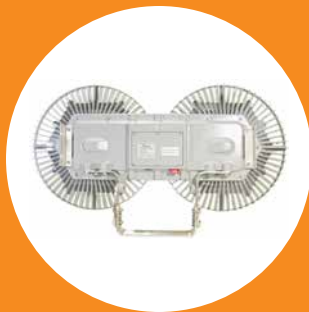


**DuroSite<sup>®</sup> LED Low Bay - UL / CSA**  
for Indoor and Outdoor Industrial Applications

# On when it matters most.

---

Products and solutions that protect your business





## Features & Benefits

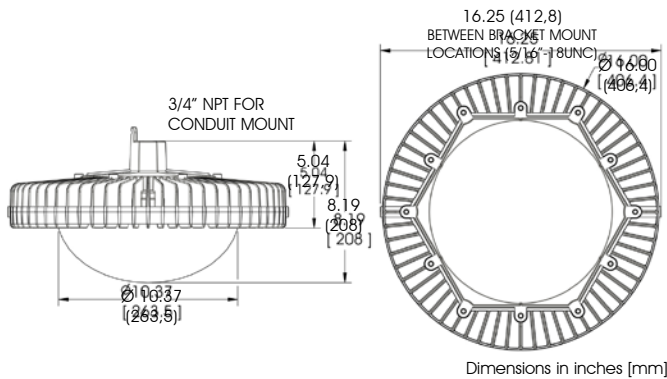
- L70 rated for >100,000 hours @ 25°C ambient
- 5 & 10 year warranty
- Up to 84 lm/W
- Significant energy savings
- Low profile versus traditional HID fixtures
- Mercury free
- No UV or IR
- Reflector based optics for precise light control

## Application

Dialight's Durosite LED low bay fixture was designed specifically to replace conventional lighting in a wide variety of industrial applications, both indoor and outdoor. Its low profile, light weight design and versatile mounting options make it ideal for many applications such as parking decks, garages, cold storage and other applications with mounting heights up to 20 feet.

# DuroSite LED Low Bay - UL / CSA

## Standard Models



### Certifications & Ratings

- UL 1598/A (wet locations)
- CSA C22.2 No. 250.0-08
- UL 8750
- IP66 (IEC 60529)
- NEMA 4X
- ANSI C 136.15-2011

### Mechanical Information:

- Fixture weight:** 18 lbs (8.16kg)
- Shipping weight:** 24 lbs (10.8kg)
- Mounting:** (1) 3/4" NPT - top  
(2) 5/16"-18 x .75" UNC - side
- Entries:** 10' (3.05m) STOOW Power Cord

### Electrical specifications:

- Operating Voltage:** 100-277V AC, 50/60 Hz
- Total system power consumption:** See table
- Operating Temp:** -40°F to +149°F (-40°C to +65°C)
- Harmonics:** IEC 61000-3-2
- Noise requirement /EMC:** FCC Title 47, Subpart B, Section 15, class A device. RF Immunity; 10V/m, 80MHz-1GHz
- Transient protection:** 1 kV line to line  
2 kV line to ground
- THD:** <20%
- Power Factor:** > 0.9

### Construction:

- Housing:** Copper free aluminum
- Finish:** Superior dual coat finish  
- sealed polyester topcoat  
- chemical resistant epoxy primer
- Lens:** Polycarbonate

### Photometric Information:

- CRI:** 70
- CCT:** 5000K (cool white)  
4000K (neutral white)

All values typical unless otherwise stated  
Lumen values are typical (tolerance +/- 10%)

# DuroSite LED Low Bay - UL / CSA

## Ordering Information

Part Number	Fixture Lumen	Wattage	LPW	Warranty	Voltage	CCT	Lens	Optical Pattern
Standard Models - 100 - 277V AC								
HBWC4L	8,500	107	79	10yr	100 - 277V AC	5000K (cool white)	Polycarbonate dome	Wide
LBW1C1D	6,000	80	75	5yr	100 - 277V AC	5000K (cool white)	Polycarbonate dome	Wide
LBW1C1D-10YR	5,500	70	79	10yr	100 - 277V AC	5000K (cool white)	Polycarbonate dome	Wide
LBW1C1A	3,800	45	84	5yr	100 - 277V AC	5000K (cool white)	Polycarbonate dome	Wide
Standard Models - 347 - 480V AC								
HBWC5L	8,500	107	79	5yr	347-480V AC	5000K (cool white)	Polycarbonate dome	Wide
LBW1C7D	6,000	80	75	5yr	347-480V AC	5000K (cool white)	Polycarbonate dome	Wide
Occupancy Sensor Models - 120 - 277V AC								
LBW1C2D	6,000	80	75	5yr	120-277V AC	5000K (cool white)	Polycarbonate dome	Wide
LBW1C2A	3,800	45	84	5yr	120-277V AC	5000K (cool white)	Polycarbonate dome	Wide
LBW1C2ACB	3,800	45	84	5yr	120-277V AC	5000K (cool white)	Polycarbonate dome	Wide
Variable Dimming Models - 100 - 277V AC								
LBW1C5D	6,000	80	75	5yr	100-277V AC	5000K (cool white)	Polycarbonate dome	Wide
LBW1C5A	3,800	45	84	5yr	100-277V AC	5000K (cool white)	Polycarbonate dome	Wide
Variable Dimming / Occupancy Sensor Models - 100 - 277V AC								
LBW1C5D	6,000	80	75	5yr	100-277V AC	5000K (cool white)	Polycarbonate dome	Wide
LBW1C5A	3,800	45	84	5yr	100-277V AC	5000K (cool white)	Polycarbonate dome	Wide

All values typical unless otherwise stated, Lumen values are typical (tolerance +/- 10%).

# DuroSite LED Low Bay - UL / CSA

## Ordering Information and Mounting Accessories



**HBXW2**

- Swivel bracket and cable gland

**HBXW3**

- Swivel bracket



**HBXL**

- Loop



**HBXH**

- Hook



**HBXCU**

- Ceiling / wall mount



**LBXLENP**

- Polycarbonate dome lens

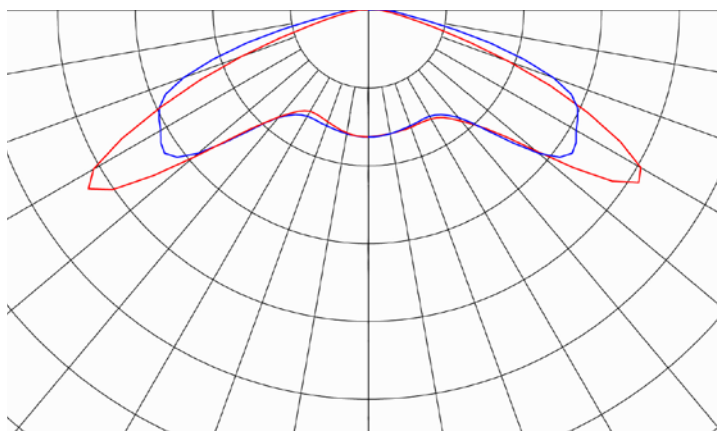


**HBXCG**

- Cable Gland

Light Distribution Pattern

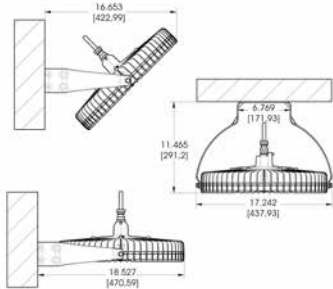
Wide pattern



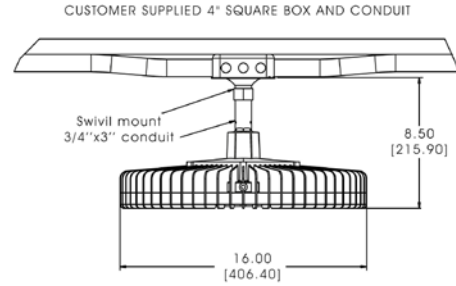
# DuroSite LED Low Bay - UL / CSA

## Options and Accessories Drawings

HBXW2 - Swivel Bracket and Cable Gland



HBXCU - Ceiling Mount



HBXCG - Cable Gland

