

DuroSite® LED Linear - CE/UL

Technical Specifications



Ratings and Certifications

- 5 year warranty
- L70 >100,000 hours @ 25°C ambient
- CE / ENEC / RCM / UL
- IP66 / 67

*All features not available on every model. Please refer to product part number pages for model specifics.

Mechanical Information

Fixture weight:	
1.22m:	5.9 kg (13 lb)
0.61m:	4.5 kg (10 lb)
Shipping weight:	
1.22m:	8.2 kg (18 lb)
0.61m:	6.8 kg (15 lb)
Mounting:	(4) M25 openings Factory-installed 316 stainless steel swivel bracket - LPXW4
Cable Entries:	(4) M25 x 1.5
Terminals:	0.5-4mm ² x 3 via integrated junction box

Specifications

Voltage options:	100-277 VAC	Housing:	Copper-free aluminium
Operating temp:	-40°C to +65°C	Lens:	Polycarbonate diffused
		Finish:	Superior dual coat finish - Sealed polyester topcoat - Chemical-resistant epoxy primer
Power factor:	>0.9	CRI:	70
THD:	<20%	CCT:	5000K (cool white)
Surge protection:	EN 61000-4-5 4 kV line-to-line, 4 kV line-to-ground		4000K (neutral white)

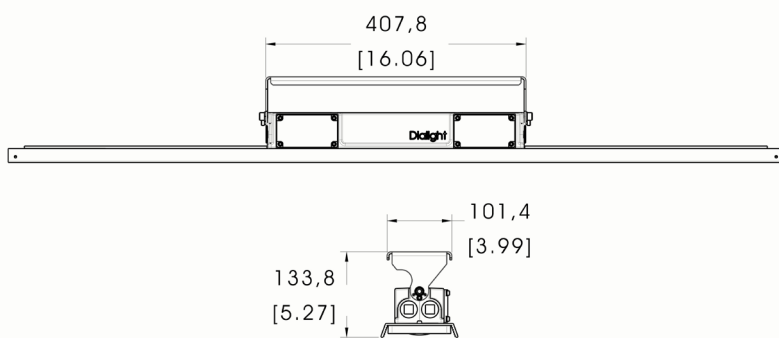
Comparison

	Warranty	L70
Dialight LED Linear	5yr	>100,000
Fluorescent	1	24,000

Lumens Wattage Lm/W Mounting Heights

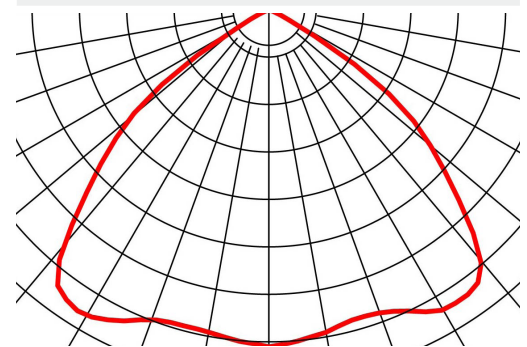
Lumens	Wattage	Lm/W	Mounting Heights
6,700	66	102	6m
			↕
3,300	33	100	3m

Dimensions



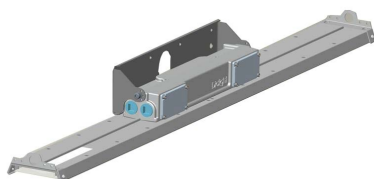
Dimension in mm [inches]

Beam Distribution

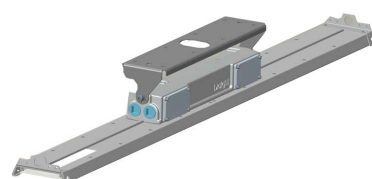


Medium

Mounting Options



Side Mount - LPXW4 (included)



Top Mount - LPXW4 (included)

When ordering please refer our website www.dialight.com to view the current versions of all relevant product documentation, including the most up-to-date product data sheets. For the avoidance of doubt, in the event of any discrepancy between the contents of this document and information provided on our website, the information provided on our website shall prevail.

DuroSite® LED Linear - CE/UL

Australia & Asia Order Codes

Current Part Number	Historic Part Number	Fixture Lumens	Wattage	lm/W	Voltage	Colour Temperature (CCT)	Lens	Beam Distribution
LPE3N4B2W	LPE3C4D2P	3,300	33	100	100-277 VAC	4000K (neutral white)	Diffused polycarbonate	Medium
LPE3N4H2W	LPE3C4M2P	6,700	66	102	100-277 VAC	4000K (neutral white)	Diffused polycarbonate	Medium

All values typical unless otherwise stated (tolerance +/- 10%).

Part numbers listed in **bold** are typically available in stock.

Part numbers listed in the table above are neutral white. For cool white models, replace the 5th character with a **C**.



LPXW4LP

- 316 stainless steel low profile mounting bracket, can be angled at 0° and 15°



LPXW4 (included)

- 316 stainless steel mounting bracket, can be angled at 0°, 30°, 45°, 60°, & 90°



LTXENDCAPKIT

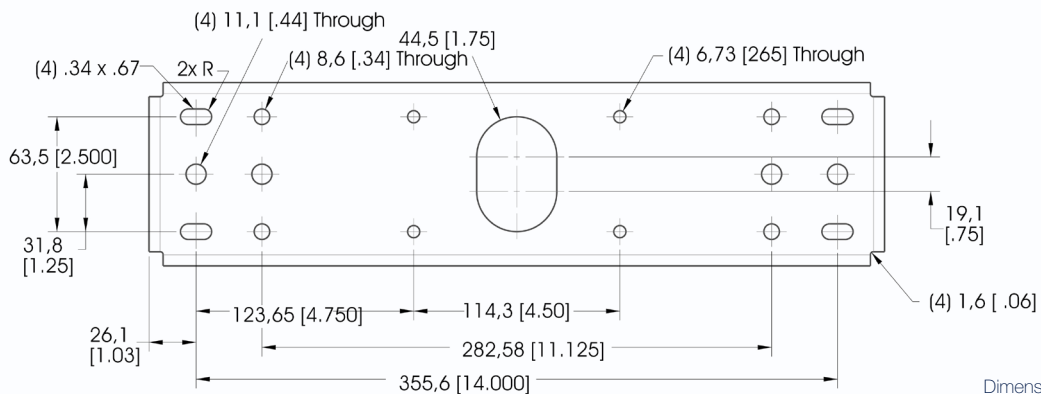
- 304 stainless steel chain mount and secondary retention bracket



LTXSAFEKIT

- Stainless steel safety cable kit for secondary retention

LPXW4 Mounting Bracket Dimensions



Dimension are in mm [inches]

When ordering please refer our website www.dialight.com to view the current versions of all relevant product documentation, including the most up-to-date product data sheets. For the avoidance of doubt, in the event of any discrepancy between the contents of this document and information provided on our website, the information provided on our website shall prevail.