

# SafeSite® LED Linear - IECEx/ATEX - UL

## Technical Specifications



### Ratings and Certifications

- 5 year warranty
- L70 >100,000 hours
- IECEx / ATEX Zones 1, 21
- IECEx / ATEX Zones 2, 22
- CE / RCM
- IP66
- NEMA 4X

\*All features not available on every model. Please refer to product part number pages for model specifics.

### Mechanical Information

#### Fixture weight:

1181mm model:	17 lb (7.9 kg)
605mm model:	7 lb (4.5 kg)

#### Shipping weight:

1181mm model:	
605mm model:	

#### Mounting:

### Temperature Ratings

Ambient Temperature Range T4A Temperature Code	Ambient Temperature Range T5 Temperature Code
-40°F to +149°F (-40°C to +65°C)	-40°F to +113°F (-40°C to +45°C)

### Specifications

<b>Voltage:</b>	100-277 VAC	<b>Housing:</b>	Copper-free aluminum
<b>Operating temp:</b>	-40°F to +149°F (-40°C to +65°C)	<b>Lens:</b>	Polycarbonate
<b>Power factor:</b>	>0.9	<b>CRI:</b>	75 / 80
<b>THD:</b>	<20%	<b>CCT:</b>	5000K (cool white) 4000K (neutral white)
<b>Surge protection:</b>	4kV line-to-line, 4kV line-to-ground		

### Comparison

	Warranty	L70	T-Rating
Dialight LED Linear	5yr	>100,000	T5
Metal Halide	1	6,000	T2
High Pressure Sodium	1	20,000	T2A
Fluorescent	1	24,000	T3

### Lumens

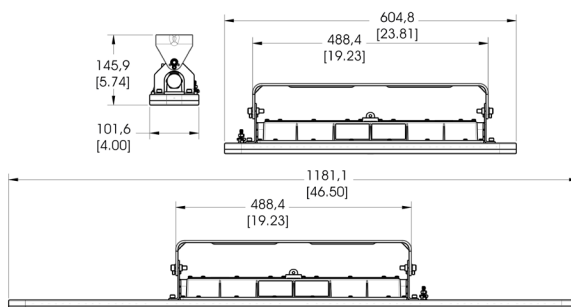
### Wattage

### lm/W

### Mounting Heights

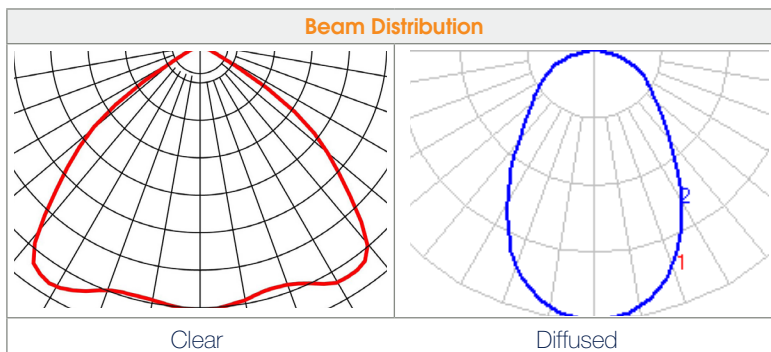
7,250	66	110	20'
6,700	66	102	↑↓
3,600	33	109	
3,300	33	100	10'

### Dimensions



Dimension in mm [inches]

### Beam Distribution



When ordering please refer our website [www.dialight.com](http://www.dialight.com) to view the current versions of all relevant product documentation, including the most up-to-date product data sheets. For the avoidance of doubt, in the event of any discrepancy between the contents of this document and information provided on our website, the information provided on our website shall prevail.

# SafeSite® LED Linear - IECEx/ATEX - UL

## Australia & Asia Order Codes

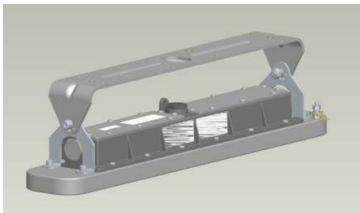
Current Part Number	Historic Part Number	Fixture Lumens	Wattage	lm/W	Voltage	Colour Temperature (CCT)	Lens	Beam Distribution
LSA3N4D2F	LSA3C4D2F	3,300	33	100	100-277 VAC	4000K (neutral white)	Diffused polycarbonate	Diffused
LSA3N4M2F	LSA3C4M2F	6,700	66	102	100-277 VAC	4000K (neutral white)	Diffused polycarbonate	Diffused

All values typical unless otherwise stated (tolerance +/- 10%).

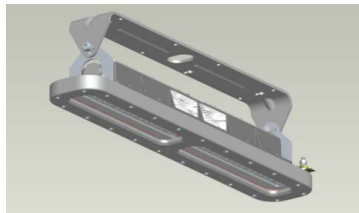
Part numbers listed in **bold** are typically available in stock.

Part numbers listed in the table above are neutral white. For cool white models, replace the 5th character with a **C**.

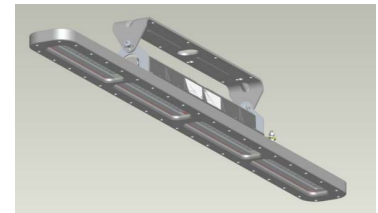
### Dimensions



LSXW7 mounting bracket



605mm with mounting bracket



1181mm with mounting bracket



#### HZXSAFEKIT

- Stainless steel safety cable kit



#### HZXSAFETABS

- Stainless steel safety tabs