



## INSTALLATION AND MAINTENANCE MANUAL

### DUROSITE<sup>®</sup> LED LINEAR FIXTURE

Document No: 9100-127-2571-99 Rev A

April, 2016

#### MODELS

(2 foot Version)  
ALL LAE

(4 foot Version)  
ALL LBE



These instructions contain important safety information, read and follow them carefully. Dialight will not accept any responsibility for injury, damage or loss which may occur due to incorrect installation, operation or maintenance



### 1: Introduction

This Linear LED light is designed for illumination of industrial locations. It uses the latest in solid state lighting technology for long life, low maintenance, and high efficiency.

The unique optical design focuses light downward to where it is needed, giving improved efficiency over a conventional HID luminaire.

An internal, universal input, power-factor-corrected switch-mode supply allows it to be used from any nominal 120V-277V, 50/60Hz AC supply without any variation in light output.

**Models listed above are SUITABLE FOR WET LOCATIONS in unclassified locations:**

**Ambient Temperature Range: -40C to +65C**

**Note: Save these instructions for future reference.**

## 2: Installation

**⚠ Warning:**

To avoid the risk of fire, explosion, or electric shock, this product should be installed, inspected, and maintained by a qualified electrician only, in accordance with all applicable electrical codes.

**⚠ Warning:**

To avoid electric shock:

- Be certain electrical power is OFF before and during installation and maintenance.
- The ground locations on the outside of the fixture at each end are for equipotential grounding only (see figure 2).
- Luminaire must be connected to a wiring system with an equipment-grounding conductor, through an entry port, to the ground location on the internal terminal block.

**⚠ Warning:**

- DO NOT let power cord touch hot surfaces
- DO NOT mount near gas or electric heaters
- Equipment should be mounted in locations and at heights where it will not be subjected to tampering by unauthorized personnel.
- The use of accessory equipment not recommend by the manufacture may cause an unsafe condition
- DO NOT use this equipment for other than it's intended use

**⚠ Warning:**

The technical data indicated on the Luminaire are to be observed.

- Changes to the design and modifications of the Luminaire are not permitted
- Only genuine Dialight replacement parts are to be used when unforeseen maintenance is required. Consult factory at [www.Dialight.com](http://www.Dialight.com) or authorized representative as required.

**⚠ Caution (For Models LAXXXXXXXXXXCX and LBXXXXXXXXXCX):**

**Special consideration for Dialight's proprietary Advanced Corrosion Protection models.**

Dialight's Advanced Corrosion Protection guards against salt corrosion in offshore and marine environments. Please take special care to minimize scratches, dings, impacts or other damage to the product surfaces. Damage to surfaces will not eliminate the surface finish protection but may affect its performance in certain applications.



**⚠ Caution (All Models):****Chemical Compatibility Guide****Footnote on Chemical Compatibility Guide:**

The chemical compatibility data referenced in the manual was supplied by the raw material manufacturers and is intended as general guide. The data represents the basic material properties and does not necessarily represent the performance of the final product due to manufacturing process and design variations for each final product. Chemical compatibility is highly dependent on concentration, temperature, humidity and other environmental conditions and therefore the customer assumes responsibility for evaluation of gaseous or direct contact chemical compatibility at their site prior to product installation.

[www.dialight.com/pubs/MDTFCHEMRFLX001.pdf](http://www.dialight.com/pubs/MDTFCHEMRFLX001.pdf)

**For supply connections use wire rated for at least 90°C****Conduit or Cable thru wiring (Figure 2) Installation Steps:**

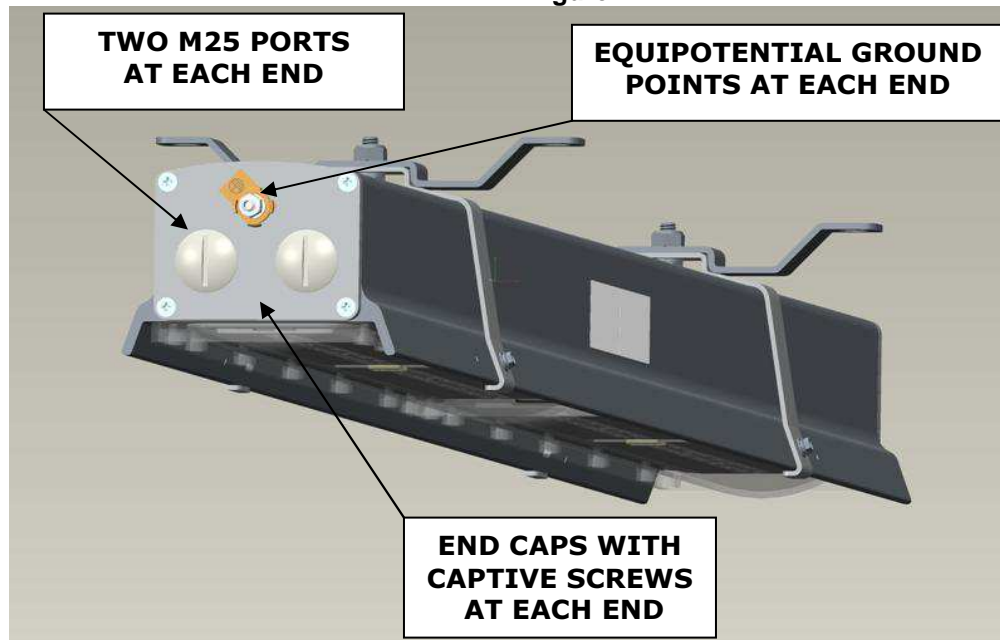
- For maximum long term reliability and light output, the light must be installed in free air.
  - The Linear fixture design incorporates an over-temperature control circuit that reduces input power should internal temperatures reach a maximum level. In this event, light output may be reduced.

The Linear fixture is threaded with two M25 ports at each end of the Extruded Housing's End Cap Assemblies in order to be assembled to conduit or with cable glands. **Note:** Dialight is not responsible for the selection of a cable gland or conduit used on the fixture. Dialight suggests that the cable gland or conduit selected conforms to NEMA 4X and all required agency specifications.

- Remove the M25 sealing plugs and attach conduit or cable glands where shown in figure 2. Use conductive pipe sealant for all metal fittings and conduit.
- **Warning:** If there is moisture present, or chance of it, in the conduit system then necessary precautions should be taken by the installer to prevent the moisture from entering thru the cable or conduit and entering the fixture. Failure to comply with the above could void factory warranties.
- Fixture is factory wired with LINE, NEUTRAL and GROUND leads at each end into a terminal block fixed to the End Cap Assemblies to allow for through wiring. Remove the End Cap Assembly, which has captive screws, to attach incoming power to the white (Neutral) wire, black (Line) and green/yellow (Ground) wire leads into the terminal block. Ensure that the o-ring is properly seated in the groove; reattach the End Cap Assembly. Tighten all screws to 15 in/lbs (1.75NewtonM's)
- Restore power and verify operation.



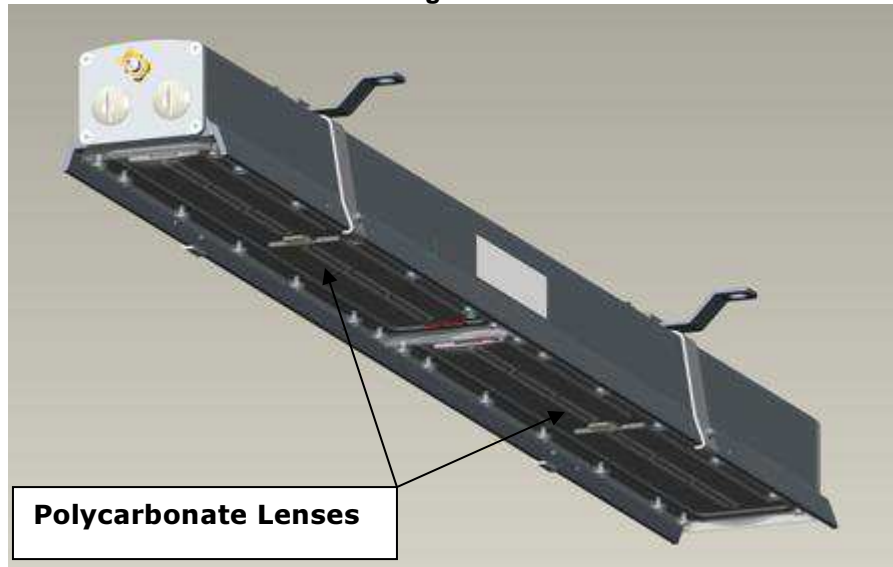
Figure 2.



### 3: Maintenance

- To avoid personal injury, disconnect power to the light and allow the unit to cool down before performing maintenance.
- ⚠ Warning:** No user serviceable parts inside of fixture. Risk of electric shock. Removal of the lens will void the warranty.
- 1) We suggest performing visual, mechanical and electrical inspections on a regular basis. We suggest routine checks to be made on a yearly basis. Frequency of use and environment should determine this. It is recommended to follow an Electrical Preventive Maintenance Program as described in NFPA 70B: Recommended Practice for Electrical Equipment.
  - 2) If the lens (Figure 4 below) requires periodical cleaning to ensure continued photometric performance. Clean the lens with a damp, non-abrasive, lint-free cloth. If not sufficient, use mild soap and water.
  - 3) Inspect the outside of the Luminaire housing to ensure that they are free of any obstructions or contamination (i.e. excessive dust build-up). Clean with a non-abrasive cloth if needed.
  - 4) Do not operate if the lens is cracked or damaged. All fasteners should be properly seated.
  - 5) **NOTE:** Screws, other than the End Caps, are factory torqued and should not be tampered with during installation or maintenance.

Figure 4.



### Specifications


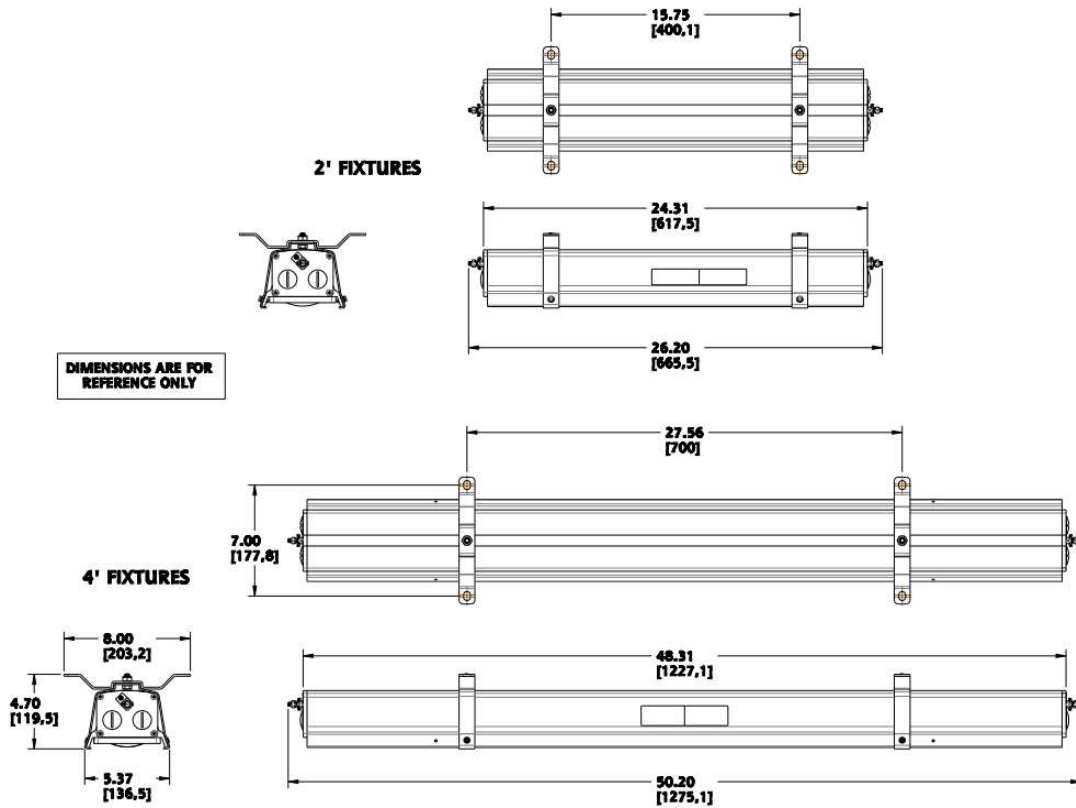
Nominal AC Supply Voltage	120-277VAC, 50-60Hz
Power consumption:	
2' version	32W nominal
4' version	60W nominal
Input Current: (Nominal)	.31Amps @120Vac (2 foot) .57Amps @120Vac (4 foot) .12Amps @277Vac (2 foot) .24Amps @277Vac (4 foot)
Operating temperature range	-40°F to +149°F [-40°C to +65°C]
Power factor	>0.9
ATHD	<20%
Dimensions (L x W x H)	See Figure 5.
Weight	13 lbs [5.9 kg] (2') 18 lbs [8.0 kg] (4'),
Intertek Certified to	UL-1598, 1598A  CSA C22.2 No. 250



Figure 5.



All statements, technical information and recommendations contained herein are based on information and tests we believe to be reliable. The accuracy or completeness thereof is not guaranteed. In accordance with Dialight Corporation "Terms and Conditions of Sale", and since conditions of use are outside our control, the purchaser should determine the suitability of the product for his intended use and assumes all risk and liability whatsoever in connection therewith

REV.	ECO No.	DRN	CHK	APP	QA	CM	DATE
A	34189	WSL	AGM	SB	BR	JN	4/12/2016

