

Dialight

.....

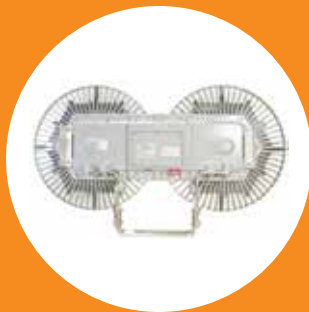


SafeSite[®] LED Linear Fixture - UL 844
for Indoor and Outdoor Hazardous Applications



On when it matters most.

Products and solutions that protect your business



*Products shown above are not all certified for hazardous locations. Please visit www.dialight.com for more information.



Features & Benefits

- 5 year full performance warranty
- L70 rated for >100,000 hours @ 25°C ambient
- Instant on/off operation
- Mercury free
- Resistant to shock and vibration
- Temperature compensation technology for longer life

Application

The SafeSite LED Linear fixture's rugged solid state design makes it highly resistant to shock and vibration. Its fully gasketed IP66/67 rated enclosure makes it suitable for dust & wet locations, its 1598/A rating guarantees added protection from salt water spray. The SafeSite LED Linear's superior design allows for wiring and mounting versatility and ease of installation for many lighting applications.

Hazardous Locations Ratings

Fixed and portable fixtures for installation and use in hazardous (classified) locations Class I, Divisions 1 and 2, Groups A, B, C, and D; Class II, Division 1, Groups E, F, and G; Class II, Division 2, Groups F and G; and Class III, Divisions 1 and 2, in accordance with the National Electrical Code, NFPA 70

Classes

The classes define the general nature of hazardous material in the surrounding atmosphere.

Class	Hazardous Material in Surrounding Atmosphere
Class I	Hazardous because flammable gases or vapors are present in the air in quantities sufficient to produce explosive or ignitable mixtures.
Class II	Hazardous because combustible or conductive dusts are present.
Class III	Hazardous because ignitable fibers or flying's are present, but not likely to be in suspension in sufficient quantities to produce ignitable mixtures. Typical wood chips, cotton, flax and nylon. Group classifications are not applied to this class.

Divisions

The division defines the probability of hazardous material being present in an ignitable concentration in the surrounding atmosphere.

Division	Presence of Hazardous Material
Division 1	The substance referred to by class is present during normal conditions.
Division 2	The substance referred to by class is present only in abnormal conditions, such as a container failure or system breakdown.

Groups

The group defines the hazardous material in the surrounding atmosphere.

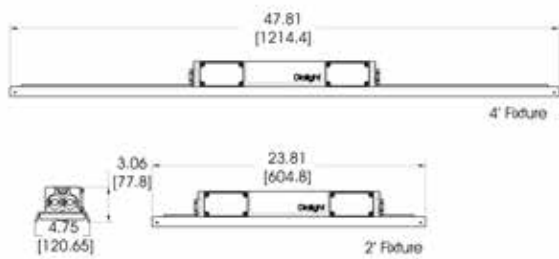
Group	Hazardous Material in Surrounding Atmosphere
Group A	Acetylene
Group B	Hydrogen, fuel and combustible process gases containing more than 30% hydrogen by volume or gases of equivalent hazard such as butadiene, ethylene, oxide, propylene oxide and acrolein.
Group C	Carbon monoxide, ether, hydrogen sulfide, morphine, cyclopropane, ethyl and ethylene or gases of equivalent hazard.
Group D	Gasoline, acetone, ammonia, benzene, butane, cyclopropane, ethanol, hexane, methanol, methane, vinyl chloride, natural gas, naphtha, propane or gases of equivalent hazard.
Group E	Combustible metal dusts, including aluminum, magnesium and their commercial alloys or other combustible dusts whose particle size, abrasiveness and conductivity present similar hazards in connection with electrical equipment.
Group F	Carbonaceous dusts, carbon black, coal black, charcoal, coal or coke dusts that have more than 8% total entrapped volatiles or dusts that have been sensitized by other material so they present an explosion hazard.
Group G	Flour dust, grain dust, flour, starch, sugar, wood, plastic and chemicals.

Reference:

http://www.engineeringtoolbox.com/hazardous-areas-classification-d_347.html

SafeSite LED Linear - UL 844

Low Profile - Class I, Div. 2 / Class II



Dimensions in inches [mm]

Temperature Ratings

Ambient Temperature Range T4A Temperature Code	Ambient Temperature Range T5 Temperature Code
-40°F to +149°F (-40°C to +65°C)	-40°F to +113°F (-40°C to +45°C)

Certifications & Ratings

- UL 1598/A
- UL 844
- CSA 22.2 No. 137
- CSA 22.2 No. 250
- IP66/67
- Class I Div. 2 Groups A, B, C, D
- Class II Div. 1 Groups E, F, G
- Class II Div. 2 Groups F, G
- Class III
- NEMA 4X

Mechanical Information:

- Fixture weight:** 4' - 10 lbs (4.53 kg)
2' - 7 lbs (3.18 kg)
- Shipping weight:** 4' - 11 lbs (4.99 kg)
2' - 8 lbs (3.63 kg)
- Mounting:** (4) 3/4" NPT openings
Optional swivel bracket - LPXW4
Optional low profile bracket - LPXW4LP

Electrical Specifications:

- Operating voltage:** 100 - 277V AC, 50/60Hz
- Power consumption:** See ordering information
- Operating temp:** -40°F to +149°F (-40°C to +65°C)
- Harmonics:** IEC 61000-3-2
- Noise Requirements/EMC:** FCC Title 47, Subpart B, Section 15, Class A device. RF Immunity; 10V/m, 80MHz-1GHz
- Surge protection:** EN 61000-4-5
4 kV line to line
4 kV line to ground
- THD:** < 20%
- Power factor:** > 0.9

Construction:

- Finish:** Superior dual coat finish
- Sealed polyester topcoat
- Chemical resistant epoxy primer
- Lens :** Polycarbonate

Photometric Information:

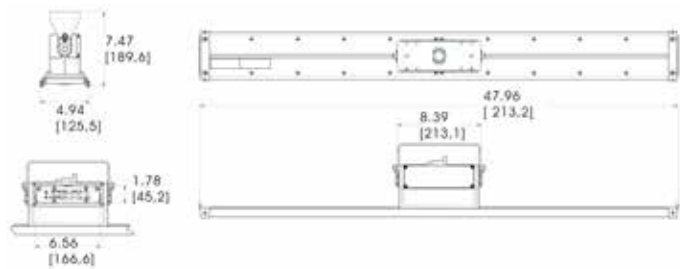
- CRI:** 75, 80
- CCT:** 5000K (cool white)
4000K (neutral white)
- IES files:** Available at www.dialight.com

All values typical unless otherwise stated (tolerance +/- 10%)

¹For information on chemical compatibility, please follow this link to reference Dialight's Chemical Compatibility Guide: www.dialight.com/pubs/MDTFCHEMRFLX001.PDF

SafeSite LED Linear - UL 844

Top Conduit - Class I, Div. 2 / Class II



Dimensions in inches [mm]

Temperature Ratings

Ambient Temperature Range T4A Temperature Code	Ambient Temperature Range T5 Temperature Code
-40°F to +149°F (-40°C to +65°C)	-40°F to +113°F (-40°C to +45°C)

Certifications & Ratings

- UL 1598/A
- UL 844
- CSA 22.2 No. 137
- CSA 22.2 No. 250
- IP66
- Class I Div. 2 Groups A, B, C, D
- Class II Div. 1 Groups E, F, G
- Class II Div. 2 Groups F, G
- Class III
- NEMA 4X

Mechanical Information:

- Fixture weight:** 4' - 11 lbs (4.99 kg)
2' - 10 lbs (4.53 kg)
- Shipping weight:** 4' - 13 lbs (5.90 kg)
2' - 12 lbs (5.44 kg)
- Mounting:** (3) 3/4" NPT openings
Optional swivel bracket - LTXW4
Optional low profile bracket - LTXW4LP

Electrical Specifications:

- Operating voltage:** 100 - 277V AC, 50/60Hz
- Power consumption:** See ordering information
- Operating temp:** -40°F to +149°F (-40°C to +65°C)
- Harmonics:** IEC 61000-3-2
- Noise Requirements/EMC:** FCC Title 47, Subpart B, Section 15, Class A device. RF Immunity; 10V/m, 80MHz-1GHz
- Surge protection:** EN 61000-4-5
4 kV line to line
4 kV line to ground
- THD:** < 20%
- Power factor:** > 0.9

Construction:

- Finish:** Superior dual coat finish
- Sealed polyester topcoat
- Chemical resistant epoxy primer
- Lens :** Polycarbonate

Photometric Information:

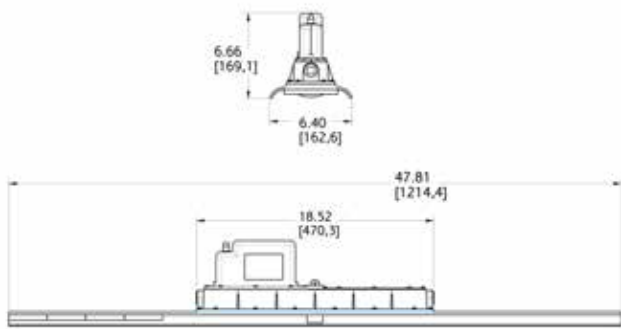
- CRI:** 75, 80
- CCT:** 5000K (cool white)
4000K (neutral white)
- IES files:** Available at www.dialight.com

All values typical unless otherwise stated (tolerance +/- 10%)

For information on chemical compatibility, please follow this link to reference Dialight's Chemical Compatibility Guide: www.dialight.com/pubs/MDTFCHEMRFLX001.PDF

SafeSite LED Linear - UL 844

Battery Backup - Class I, Div. 2 / Class II



Dimensions in inches [mm]

Temperature Ratings

Ambient Temperature Range T4A Temperature Code	Ambient Temperature Range T5 Temperature Code
-4°F to +149°F (-20°C to +65°C)	-4°F to +113°F (-20°C to +45°C)

Certifications & Ratings

- UL 1598/A
- UL 844
- UL 924
- CSA 22.2 No. 137
- CSA 22.2 No. 250
- IP66
- Class I Div. 2 Groups A, B, C, D
- Class II Div. 1 Groups E, F, G
- Class II Div. 2 Groups F, G
- Class III
- NEMA 4X

Mechanical Information:

- Fixture weight:** 18 lbs (8.16 kg)
- Shipping weight:** 21 lbs (9.53 kg)
- Mounting:** (1) Threaded 3/4" NPT side
(2) Threaded 3/4" NPT ends

Electrical Specifications:

- Operating voltage:** 120 - 277V AC, 50/60Hz
- Power consumption:** 85W
- Operating temp:** -4°F to +149°F (-20°C to +65°C)
- Battery:** 3.6V 10Ah NiMH
- Expected battery life*:** 3 years
- Battery duration*:** > 3 hours
- Lumen output in Battery Mode:** 450lm
- Harmonics:** IEC 61000-3-2
- Noise Requirements/EMC:** FCC Title 47, Subpart B, Section 15, Class A device. RF Immunity; 10V/m, 80MHz-1GHz
- Surge protection:** EN 61000-4-5
1 kV line to line
2 kV line to ground

- THD:** < 20%
- Power factor:** > 0.9

Construction:

- Finish:** Superior dual coat finish
- Sealed polyester topcoat
- Chemical resistant epoxy primer
- Lens :** Polycarbonate

Photometric Information:

- CRI:** 75
- CCT:** 5000K (cool white)
4000K (neutral white)

IES files: Available at www.dialight.com

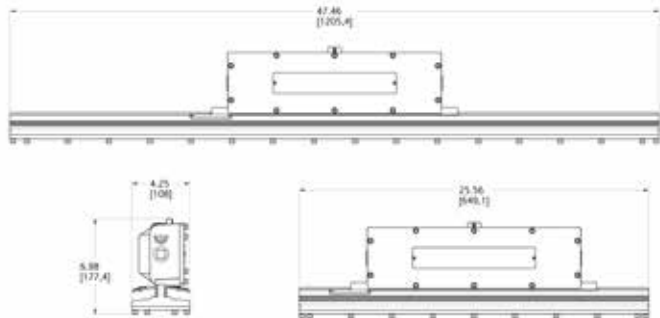
All values typical unless otherwise stated (tolerance +/- 10%)

¹For information on chemical compatibility, please follow this link to reference Dialight's Chemical Compatibility Guide: www.dialight.com/pubs/MDTFCHEMFLX001.PDF

* @ 25°C ambient

SafeSite LED Linear - UL 844

Class I, Div. 1



Dimensions in inches [mm]

Temperature Ratings

Ambient Temperature Range T4A Temperature Code	Ambient Temperature Range T5 Temperature Code
-40°F to +149°F (-40°C to +65°C)	-40°F to +113°F (-40°C to +45°C)

Certifications & Ratings

- UL 1598/A
- UL 844
- CSA 22.2 No. 137
- Class I Div. 1 Groups C, D
- IP66
- NEMA 4X

Mechanical Information:

- Fixture weight:** 4' - 26 lbs (11.79 kg)
2' - 17.5 lbs (7.94 kg)
- Shipping weight:** 4' - 28 lbs (12.70 kg)
2' - 19.5 lbs (8.85 kg)
- Mounting:** (1) Threaded 3/4" NPT side
(2) Threaded 3/4" NPT ends

Electrical Specifications:

- Operating voltage:** 100 - 277V AC, 50/60Hz or
347 - 480V AC, 50/60Hz
- Power consumption:** See ordering information
- Operating temp:** -40°F to +149°F (-40°C to +65°C)
- Harmonics:** IEC 61000-3-2
- Noise Requirements/EMC:** FCC Title 47, Subpart B, Section 15,
Class A device. RF Immunity; 10V/m,
80MHz-1GHz
- Surge protection:** EN 61000-4-5
4 kV line to line
4 kV line to ground
- THD:** < 20%
- Power factor:** > 0.9

Construction:

- Finish:** Superior dual coat finish
- Sealed polyester topcoat
- Chemical resistant epoxy primer
- Lens :** Glass

Photometric Information:

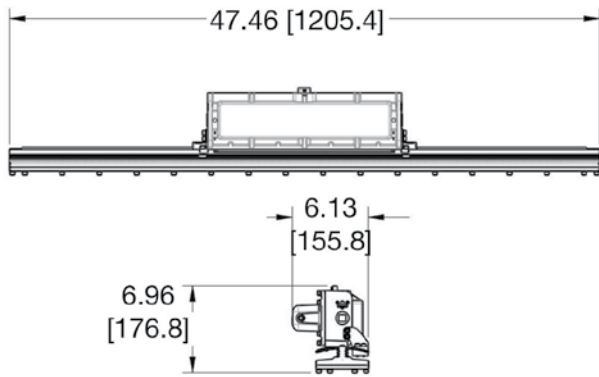
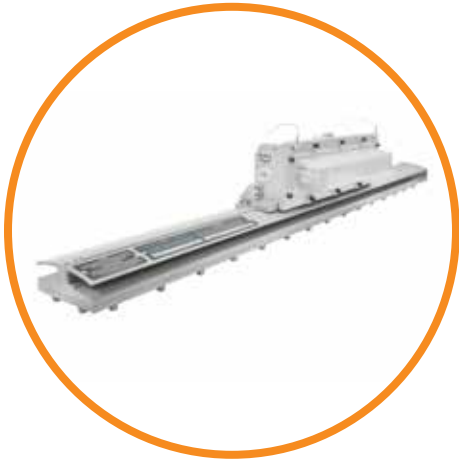
- CRI:** 75
- CCT:** 5000K (cool white)
4000K (neutral white)
- IES files:** Available upon request

All values typical unless otherwise stated (tolerance +/- 10%)

¹For information on chemical compatibility, please follow this link to reference Dialight's Chemical Compatibility Guide: www.dialight.com/pubs/MDTFCHEMRFLX001.PDF

SafeSite LED Linear - UL 844

Battery Backup - Class I, Div. 1



Dimensions in inches [mm]

Temperature Ratings

Ambient Temperature Range T4A Temperature Code

-4°F to +149°F (-20°C to +65°C)

Certifications & Ratings

- UL 1598/A
- UL 844
- CSA 22.2 No. 137
- CSA 22.2 No. 250
- Class I Div. 1 Groups C, D
- Class I Div. 2 Groups A, B, C, D
- IP66
- NEMA 4X

Mechanical Information:

- Fixture weight:** 32 lbs (14.5 kg)
- Shipping weight:** 35 lbs (15.9 kg)
- Mounting:** (1) Threaded 3/4" NPT side
(2) Threaded 3/4" NPT ends

Electrical Specifications:

- Operating voltage:** 120 - 277V AC, 50/60Hz
- Power consumption:** 85W
- Operating temp:** -4°F to +149°F (-20°C to +65°C)
- Battery:** 3.6V 10Ah NiMH
- Expected battery life*:** 3 years
- Lumen output in Battery Mode:** 500lm
- Battery duration*:** > 3 hours
- Harmonics:** IEC 61000-3-2
- Noise Requirements/EMC:** FCC Title 47, Subpart B, Section 15, Class A device. RF Immunity; 10V/m, 80MHz-1GHz
- Surge protection:** EN 61000-4-5
1 kV line to line
2 kV line to ground
- THD:** < 20%
- Power factor:** > 0.9

Construction:

- Finish:** Superior dual coat finish
- Sealed polyester topcoat
- Chemical resistant epoxy primer
- Lens :** Tempered glass

Photometric Information:

- CRI:** 75
- CCT:** 5000K (cool white)
4000K (neutral white)
- IES files:** Available at www.dialight.com

All values typical unless otherwise stated (tolerance +/- 10%)

*For information on chemical compatibility, please follow this link to reference Dialight's Chemical Compatibility Guide: www.dialight.com/pubs/MDTFCHEMRFLX001.PDF

* @ 25°C ambient

SafeSite LED Linear - UL 844

Mounting and Accessories

Low Profile Linear



LPXW4LP

- Low profile mounting bracket
- Can be angled at 0° and 15°



LPXW4

- Mounting bracket
- Can be angled at 0°, 30°, 45°, 60° & 90°



LTXENDCAPKIT

- Chain mount and secondary retention bracket



LTXSAFEKIT

- Safety Cable Kit for secondary retention

Top Conduit Linear



LTXW4

- Mounting bracket
- Can be angled at 0°, 30°, 45°, 60° and 90°



LTXW4LP

- Low profile mounting bracket
- Can be angled at 0° and 15°



LTXENDCAPKIT

- Chain mount and secondary retention bracket



LTXSAFEKIT

- Safety cable kit for secondary retention



LTXLSXW4

- Retrofit bracket adapter used to connect LTM model fixtures to an existing LSXW4 bracket

SafeSite LED Linear - UL 844

Mounting and Accessories

Battery Backup Linear



LSXW4

- Mounting bracket
- Can be angled at 0°, 30°, 45°, 60° and 90°



LSXENDCAPKIT

- Chain mount brackets



HZXSAFEKIT

- Safety cable kit

Class I Div. 1



LSXW5

- Mounting bracket
- Can be angled at 0°, 30°, 45°, 60° & 90°



HZXSAFEKIT

- Safety cable kit

SafeSite LED Linear - UL 844

Low Profile - Class I, Div. 2 / Class II - Ordering Information

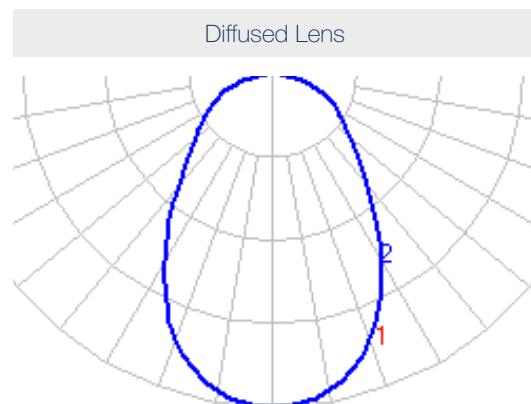
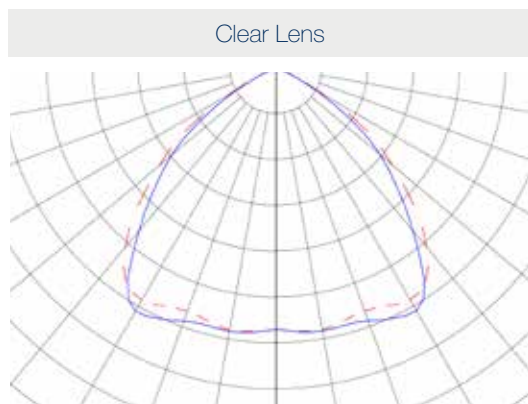
Classifications: CID2 A, B, C, D • CIID1 E, F, G • CIID2 F, G • CIII

Part Number ¹	Length	CRI	CID1	CID2	CIID1	CIID2	CIII	Voltage	Lens	CCT	Fixture Lumens	Watt	LPW	Optical Pattern
Class I, Div. 2 Models														
LPD3C4M2P	4'	75		•				100 - 277V AC	Clear	5000K (cool white)	7,250	66	110	circular
LPD3C4H2W	4'	75		•				100 - 277V AC	Diffused	5000K (cool white)	6,700	66	102	circular
LPD3B4M2P	4'	80		•				100 - 277V AC	Clear	5000K (cool white)	6,500	66	98	circular
LPD3B4H2W	4'	80		•				100 - 277V AC	Diffused	5000K (cool white)	6,000	66	91	circular
LPD3C4D2P	2'	75		•				100 - 277V AC	Clear	5000K (cool white)	3,600	33	109	circular
LPD3C4B2W	2'	75		•				100 - 277V AC	Diffused	5000K (cool white)	3,300	33	100	circular
LPD3B4D2P	2'	80		•				100 - 277V AC	Clear	5000K (cool white)	3,200	33	97	circular
LPD3B4B2W	2'	80		•				100 - 277V AC	Diffused	5000K (cool white)	2,900	33	88	circular
Class II Models														
LPF3C4M2P	4'	75			•	•	•	100 - 277V AC	Clear	5000K (cool white)	7,000	66	106	circular
LPF3C4H2W	4'	75			•	•	•	100 - 277V AC	Diffused	5000K (cool white)	6,500	66	98	circular
LPF3B4M2P	4'	80			•	•	•	100 - 277V AC	Clear	5000K (cool white)	6,300	66	95	circular
LPF3B4H2W	4'	80			•	•	•	100 - 277V AC	Diffused	5000K (cool white)	6,000	66	91	circular
LPF3C4D2P	2'	75			•	•	•	100 - 277V AC	Clear	5000K (cool white)	3,500	33	106	circular
LPF3C4B2W	2'	75			•	•	•	100 - 277V AC	Diffused	5000K (cool white)	3,200	33	97	circular
LPF3B4D2P	2'	80			•	•	•	100 - 277V AC	Clear	5000K (cool white)	3,000	33	91	circular
LPF3B4B2W	2'	80			•	•	•	100 - 277V AC	Diffused	5000K (cool white)	2,700	33	82	circular

All values typical unless otherwise stated. Lumen values are typical (tolerance +/- 10%).

Part numbers listed in the table above are cool white. For neutral white model, replace the 5th character with **N**. Ex. LPD3C4M2P becomes LPD3N4M2P

Light Distribution Pattern



SafeSite LED Linear - UL 844

Top Conduit - Class I, Div. 2 / Class II - Ordering Information

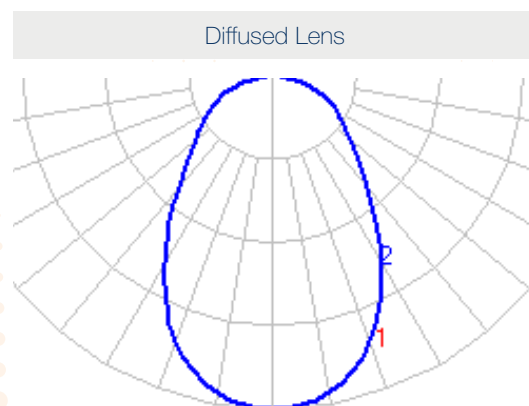
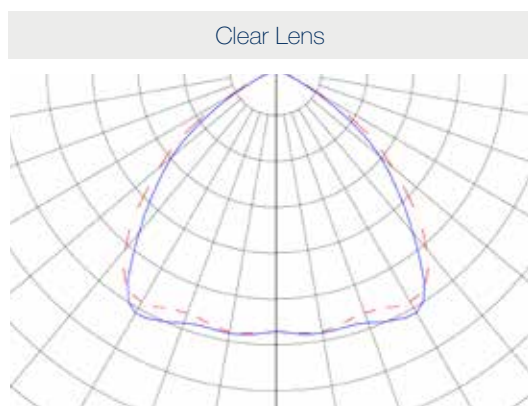
Classifications: CID2 A, B, C, D • CIID1 E, F, G • CIID2 F, G • CIII

Part Number ¹	Length	CRI	CID1	CID2	CIID1	CIID2	CIII	Voltage	Lens	CCT	Fixture Lumens	Watt	LPW	Optical Pattern
Class I, Div. 2 Models														
LTD3C4M2P	4'	75		•				100 - 277V AC	Clear	5000K (cool white)	7,250	66	110	circular
LTD3C4H2W	4'	75		•				100 - 277V AC	Diffused	5000K (cool white)	6,700	66	102	circular
LTD3B4M2P	4'	80		•				100 - 277V AC	Clear	5000K (cool white)	6,500	66	98	circular
LTD3B4H2W	4'	80		•				100 - 277V AC	Diffused	5000K (cool white)	6,000	66	91	circular
LTD3C4D2P	2'	75		•				100 - 277V AC	Clear	5000K (cool white)	3,600	33	109	circular
LTD3C4B2W	2'	75		•				100 - 277V AC	Diffused	5000K (cool white)	3,300	33	100	circular
LTD3B4D2P	2'	80		•				100 - 277V AC	Clear	5000K (cool white)	3,200	33	97	circular
LTD3B4B2W	2'	80		•				100 - 277V AC	Diffused	5000K (cool white)	2,900	33	88	circular
Class II Models														
LTF3C4M2P	4'	75			(dot)	(dot)	(dot)	100 - 277V AC	Clear	5000K (cool white)	7,000	66	106	circular
LTF3C4H2W	4'	75			(dot)	(dot)	(dot)	100 - 277V AC	Diffused	5000K (cool white)	6,500	66	98	circular
LTF3B4M2P	4'	80			(dot)	(dot)	(dot)	100 - 277V AC	Clear	5000K (cool white)	6,300	66	95	circular
LTF3B4H2W	4'	80			(dot)	(dot)	(dot)	100 - 277V AC	Diffused	5000K (cool white)	6,000	66	91	circular
LTF3C4D2P	2'	75			(dot)	(dot)	(dot)	100 - 277V AC	Clear	5000K (cool white)	3,500	33	106	circular
LTF3C4B2W	2'	75			(dot)	(dot)	(dot)	100 - 277V AC	Diffused	5000K (cool white)	3,200	33	97	circular
LTF3B4D2P	2'	80			(dot)	(dot)	(dot)	100 - 277V AC	Clear	5000K (cool white)	3,000	33	91	circular
LTF3B4B2W	2'	80			(dot)	(dot)	(dot)	100 - 277V AC	Diffused	5000K (cool white)	2,700	33	82	circular

All values typical unless otherwise stated, Lumen values are typical (tolerance +/- 10%).

Part numbers listed in the table above are cool white. For neutral white model, replace the 5th character with **N**. Ex. LTD3**C**4D2P becomes LTD3**N**4D2P

Light Distribution Pattern



SafeSite LED Linear - UL 844

Battery Backup - Ordering Information

Classifications: CID1 C, D • CID2 A, B, C, D • CIID1 E, F, G • CIID2 F, G • CIID1 • CIID2

This fixture is offered in sustained and maintained configurations.

Sustained has a single AC input and battery backup mode is entered upon any loss of power. Fixture cannot be turned off without entering battery backup mode.

Maintained has two AC inputs. The fixture can be turned on and off via AC-1 and Fixture only enters battery backup mode when AC-2 is lost or low.

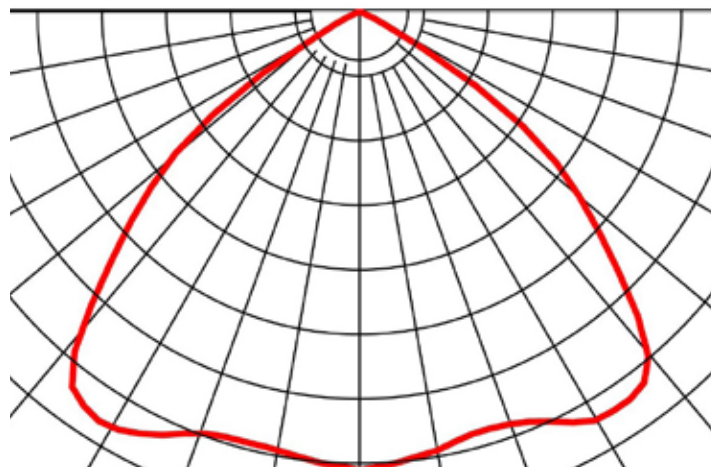
Part Number	Length	CRI	Type	CID1	CID2	CIID1	CIID2	CIII	Voltage	Lens	CCT	Fixture Lumens	Watt	LPW	Optical Pattern
Class I, Div. 1 Models															
LSC3C4MEGEX	4'	75	Sustained	•					120 - 277V AC	Clear	5000K (cool white)	7,250	85	85	circular
Class I, Div. 2 Models															
LSD3C4MEP	4'	75	Sustained		•				120 - 277V AC	Clear	5000K (cool white)	7,000	85	82	circular
LSD3C4MNP	4'	75	Maintained		•				120 - 277V AC	Clear	5000K (cool white)	7,000	85	82	circular
Class II Models															
LSF3C4MEP	4'	75	Sustained			•	•	•	120 - 277V AC	Clear	5000K (cool white)	7,000	85	82	circular
LSF3C4MNP	4'	75	Maintained			•	•	•	120 - 277V AC	Clear	5000K (cool white)	7,000	85	82	circular

All values typical unless otherwise stated, Lumen values are typical (tolerance +/- 10%).

Part numbers listed in the above table are cool white. For neutral white models replace the 5th character with **N**. Ex. LSF3**C**4MEP becomes LSF3**N**4MEP

Light Distribution Pattern

Circular Pattern



SafeSite LED Linear - UL 844

Class I, Div. 1 - Ordering Information

Classifications: CID1 C, D

Part Number ¹	Length	CRI	CID1	CID2	CIID1	CIID2	CIID3	Voltage	Lens	CCT	Fixture Lumens	Watt	LPW	Optical Pattern
100 - 277V AC Models														
LSC3C4M3GEX	4'	75	•					100 - 277V AC	Tempered glass	5000K (cool white)	7,250	68	106	circular
LSC3C4D3GEX	2'	75	•					100 - 277V AC	Tempered glass	5000K (cool white)	3,600	34	106	circular
347 - 480V AC Models														
LSC3C5M3GEX	4'	75	•					347 - 480V AC	Tempered glass	5000K (cool white)	7,250	100	72	circular
LSC3C5D3GEX	2'	75	•					347 - 480V AC	Tempered glass	5000K (cool white)	3,600	50	72	circular

All values typical unless otherwise stated, Lumen values are typical (tolerance +/- 10%).

Part numbers listed in the table above are cool white. For neutral white, model replace the 5th character with **N**. Ex. LSC3**C**4D3GEX becomes LSC3**N**4D3GEX

Light Distribution Pattern

