

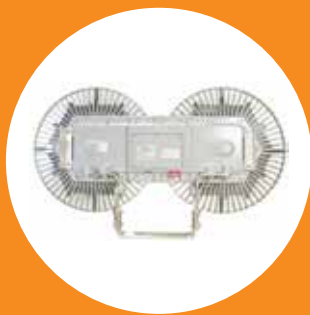
Dialight



DuroSite® LED End-to-End Linear Fixture - CE
for Indoor and Outdoor Industrial Applications

On when it matters most.

Products and solutions that protect your business





Features & Benefits

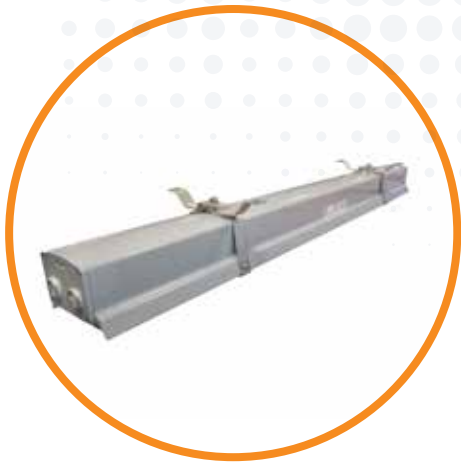
- 5 year full performance warranty
- L70 rated for >100,000 hours @ 25°C
- Instant on/off operation
- Resistant to dust & vibration
- Excellent corrosion resistance to water & salt
- Universal input (120 - 277V AC, 50/60Hz)
- Temperature compensation technology for longer life
- Integrated wiring box on each end for easy install
- Low profile housing for limited space applications
- Through wiring capability

Application

Dialight's DuroSite LED linear fixture replaces HID and fluorescent lighting fixtures in industrial applications. The DuroSite® LED Linear fixture's rugged solid state design makes it highly resistant to shock and vibration. Its fully gasketed IP66/67 rated enclosure makes it suitable for dusty & wet locations, its 1598/A rating guarantees added protection from salt water spray. The DuroSite LED Linear's superior design allows for wiring and mounting versatility and ease of installation for many lighting applications.

DuroSite® LED End-to-End Linear Fixture - CE

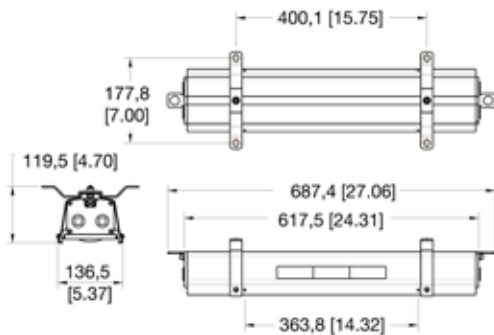
Standard Models



Certifications & Ratings

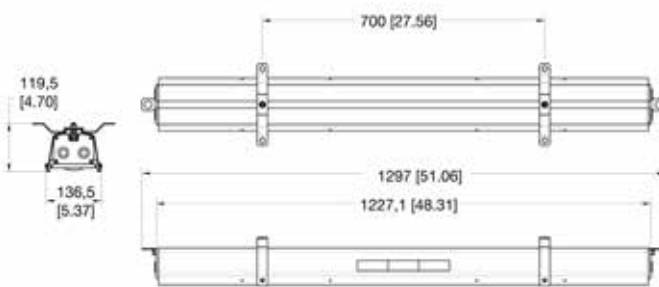
- CE
- EN55015
- EN61547
- EN60598-2-1
- EN61347
- EN61000-3-2
- EN62031
- EN62471
- IP66/67
- NEMA 4X

2' End - to - End Linear Dimensional



Dimensions in mm [inches]

4' End - to - End Linear Dimensional



Dimensions in mm [inches]

Mechanical Information:

Fixture weight: 1,30m - 8.16kg (18 lbs)
687,4mm - 5.90 kg (13 lbs)

Shipping weight: 1,30m - 9.07 kg (20 lbs)
687,4mm - 6.80 kg (15 lbs)

Mounting: (4) M25 openings
Factory-installed 316 stainless steel ceiling mount

Electrical Specifications:

Operating voltage: 120 - 277V AC

Power consumption: See table

Operating temp: -40°C to +65°C (-40°F to +149°F)

Transient protection: EN 55015 - conducted and radiated
EN 61000-3-2, EN 61000-4-2,
EN 61000-4-3, EN 61000-4-4,
EN 61000-4-6, EN 61000-4-11

Surge protection: EN 61000-4-5
6kV line to line
6kV line to ground

THD: < 20%

Power factor: > 0.9

Construction:

Housing: Extruded 6063 aluminium

Finish: Superior dual coat finish
- Sealed polyester topcoat
- Chemical-resistant epoxy primer

Lens: Polycarbonate

Photometric Information:

CRI: 80

CCT: 5000K (cool white)
4000K (neutral white)

IES files: Available at www.dialight.com

All values typical unless otherwise stated (tolerance +/- 10%)

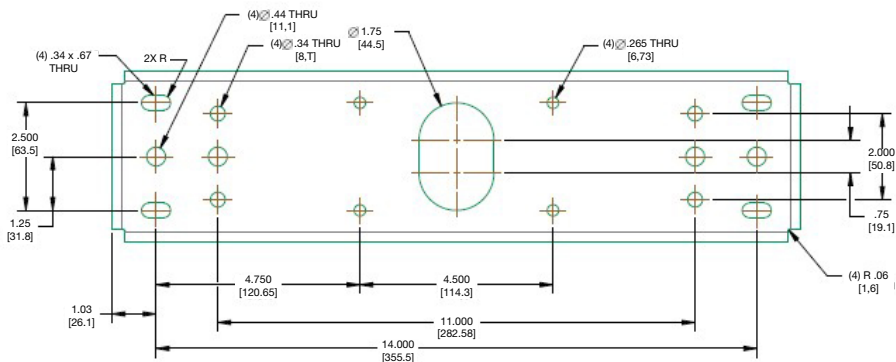
* For information on chemical compatibility, please follow this link to reference Dialight's Chemical Compatibility Guide.

www.dialight.com/pubs/MDTFCHEMRFLX001.PDF

DuroSite® LED End-to-End Linear Fixture - CE

Mounting Options

Swivel Mount



EEX-S6

- 316 Stainless steel swivel mounting bracket
- Can be angled at 0°, 30°, 45°, 60°, and 90°



Ceiling Mount



EEX-C6

- 316 Stainless steel fixed ceiling mount



Flush Mount



EEX-F6

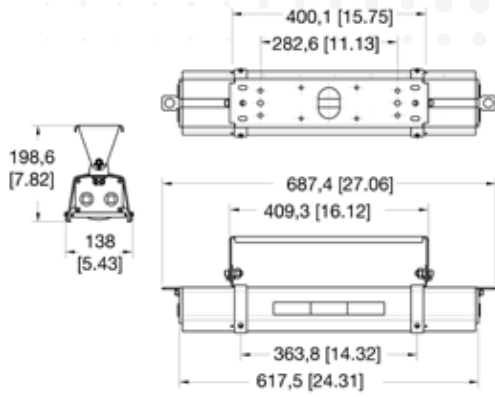
- 316 Stainless steel flush mount



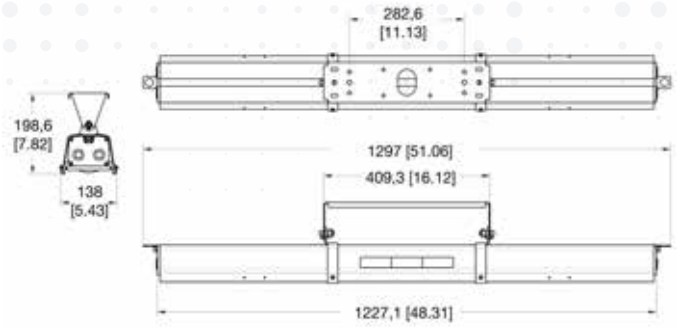
DuroSite® LED End-to-End Linear Fixture - CE

Dimensions for Alternate Mounting Brackets

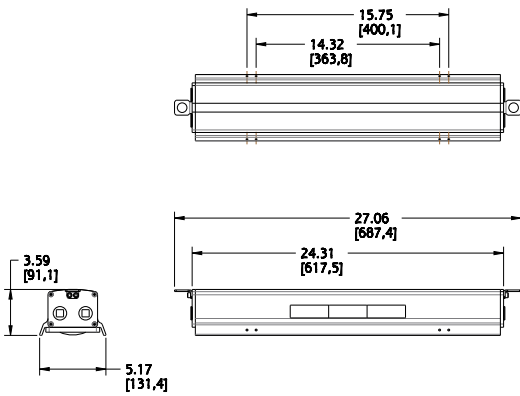
2' - Swivel Mount



4' - Swivel Mount



2' - Flush Mount



4' - Flush Mount



DuroSite® LED End-to-End Linear Fixture - CE

Ordering Information

Part Number	Length	CRI	Fixture Lumen	Watt	LPW	Voltage	CCT	Lens	Optical Pattern
LBE2MB3FNANNGN	1,30m	80	7,500	60	125	120 - 277 V AC	5000K (cool white)	Clear polycarbonate	Circular
LBE6MB3FNANNGN	1,30m	80	6,750	60	112	120 - 277 V AC	5000K (cool white)	Diffused polycarbonate	Circular
LAE2MB3BNANNGN	687,4mm	80	4,000	32	125	120 - 277 V AC	5000K (cool white)	Clear polycarbonate	Circular
LAE6MB3BNANNGN	687,4mm	80	3,500	32	109	120 - 277 V AC	5000K (cool white)	Diffused polycarbonate	Circular

All lumen values are typical (tolerance +/- 10%)

Part numbers listed in the above table are cool white. For neutral white models, please replace the 6th character with **N**. Ex. LBE2MB3FNANNGN becomes LBE2MN3FNANNGN. For factory-installed swivel mount, please replace the 10th character with **S**. Ex. LBE2MB3FNANNGN becomes LBE2MN3FNSNNGN.

Light Distribution Pattern

