

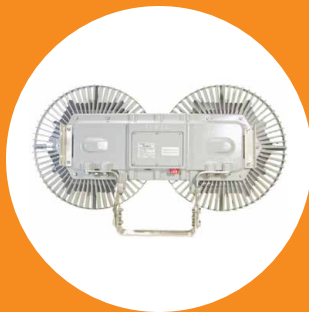
Dialight



SafeSite® LED End-to-End Linear Fixture - UL 844
for Indoor and Outdoor Hazardous Applications

On when it matters most.

Products and solutions that protect your business



*Products shown above are not all certified for hazardous locations. Please visit www.dialight.com for more information.



Features & Benefits

- 5 Year full performance warranty
- L70 rated for >100,000 hours @ 25°C
- Excellent corrosion resistance
- Dual wiring boxes for easy installation
- Through wiring capability
- Instant on/off operation
- Resistant to water, salt, dust & vibration
- Universal input (120-277V AC, 50/60hz)
- Mercury free
- Temperature compensation technology for longer life

Application

The SafeSite LED Linear fixture's rugged solid state design makes it highly resistant to shock and vibration. Its fully gasketed IP66/67 rated enclosure makes it suitable for dust & wet locations, its 1598/A rating guarantees added protection from salt water spray. The SafeSite LED Linear's superior design allows for wiring and mounting versatility and ease of installation for many lighting applications.



Hazardous Locations Ratings

Fixed and portable fixtures for installation and use in hazardous (classified) locations Class I, Divisions 1 and 2, Groups A, B, C, and D; Class II, Division 1, Groups E, F, and G; Class II, Division 2, Groups F and G; and Class III, Divisions 1 and 2, in accordance with the National Electrical Code, NFPA 70

Classes

The classes define the general nature of hazardous material in the surrounding atmosphere.

Class	Hazardous Material in Surrounding Atmosphere
Class I	Hazardous because flammable gases or vapors are present in the air in quantities sufficient to produce explosive or ignitable mixtures.
Class II	Hazardous because combustible or conductive dusts are present.
Class III	Hazardous because ignitable fibers or flying's are present, but not likely to be in suspension in sufficient quantities to produce ignitable mixtures. Typical wood chips, cotton, flax and nylon. Group classifications are not applied to this class.

Divisions

The division defines the probability of hazardous material being present in an ignitable concentration in the surrounding atmosphere.

Division	Presence of Hazardous Material
Division 1	The substance referred to by class is present during normal conditions.
Division 2	The substance referred to by class is present only in abnormal conditions, such as a container failure or system breakdown.

Groups

The group defines the hazardous material in the surrounding atmosphere.

Group	Hazardous Material in Surrounding Atmosphere
Group A	Acetylene
Group B	Hydrogen, fuel and combustible process gases containing more than 30% hydrogen by volume or gases of equivalent hazard such as butadiene, ethylene, oxide, propylene oxide and acrolein.
Group C	Carbon monoxide, ether, hydrogen sulfide, morphine, cyclopropane, ethyl and ethylene or gases of equivalent hazard.
Group D	Gasoline, acetone, ammonia, benzene, butane, cyclopropane, ethanol, hexane, methanol, methane, vinyl chloride, natural gas, naphtha, propane or gases of equivalent hazard.
Group E	Combustible metal dusts, including aluminum, magnesium and their commercial alloys or other combustible dusts whose particle size, abrasiveness and conductivity present similar hazards in connection with electrical equipment.
Group F	Carbonaceous dusts, carbon black, coal black, charcoal, coal or coke dusts that have more than 8% total entrapped volatiles or dusts that have been sensitized by other material so they present an explosion hazard.
Group G	Flour dust, grain dust, flour, starch, sugar, wood, plastic and chemicals.

SafeSite® LED End-to-End Linear Fixture - UL 844

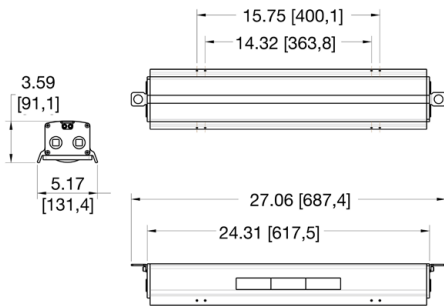
Standard Model



Certifications & Ratings

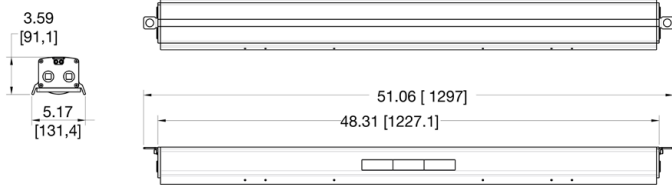
- UL1598/A
- CSA 22.2 No. 250.0
- UL844
- CSA 22.2 No. 137
- IP66/67
- NEMA 4X
- Class I Div. 2 Groups A, B, C, D
- Class II Div. 1 Groups E, F, G
- Class II Div. 2 Groups F, G
- Class III

2' End - to - End Linear Dimensional



Dimensions in inches [mm]

4' End - to - End Linear Dimensional



Dimensions in inches [mm]

Mechanical Information:

- Fixture weight:** 4' - 18 lbs (8.16 kg)
2' - 13 lbs (5.90 kg)
- Shipping weight:** 4' - 20 lbs (9.07 kg)
2' - 15 lbs (6.80 kg)
- Mounting:** (4) 3/4" NPT openings
Optional ceiling, flush or swivel mounting bracket

Electrical Specifications:

- Operating voltage:** 120 - 277V AC
- Power consumption:** See table
- Operating temp:** -40°F to +149°F (-40°C to +65°C)
- Harmonics:** 61000-3-2
- Transient protection:** FCC Title 47, Subpart B, Section 15, Class A device. RF Immunity; 10V/m, 80MHz-1GHz
- Surge protection:** EN 61000-4-5
6kV line to line
6kV line to ground
- THD:** < 20%
- Power factor:** > 0.9
- Construction:**
- Housing:** Extruded 6063 aluminum
- Finish:** Superior dual coat finish
- Sealed polyester topcoat
- Chemical-resistant epoxy primer
- Lens:** Polycarbonate

Photometric Information:

- CRI:** 80
- CCT:** 5000 K(cool white)
4000K (neutral white)
- IES files:** Available at www.dialight.com

All values typical unless otherwise stated (tolerance +/- 10%)

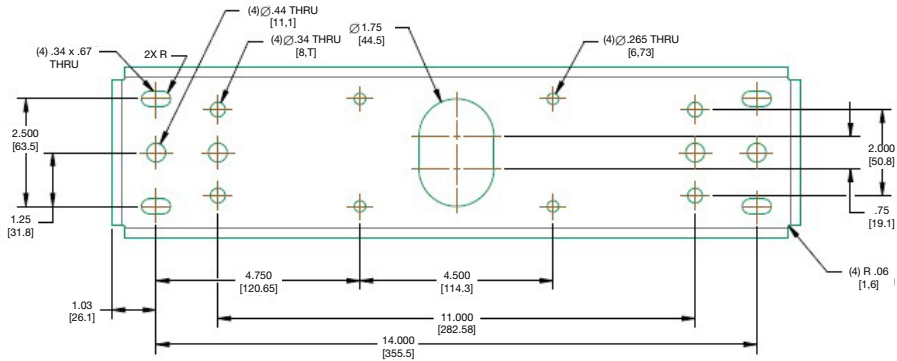
* For information on chemical compatibility, please follow this link to reference Dialight's Chemical Compatibility Guide. www.dialight.com/pubs/MDTFCHEMRFLX001.PDF

Temperature Ratings	
Ambient Temperature Range T4A Temperature Code	Ambient Temperature Range T5 Temperature Code
-40°F to +149°F (-40°C to +65°C)	-40°F to +113°F (-40°C to +45°C)

SafeSite® LED End-to-End Linear Fixture - UL 844

Mounting Options

Swivel Mount



EEX-S6

- 316 Stainless steel swivel mounting bracket
- Can be angled at 0°, 30°, 45°, 60°, and 90°



Ceiling Mount



EEX-C6

- 316 Stainless steel fixed ceiling mount



Flush Mount



EEX-F6

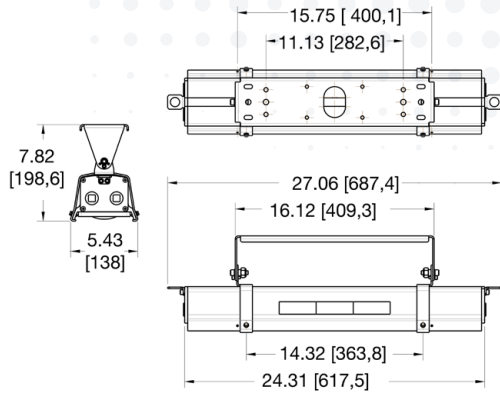
- 316 Stainless steel flush mount



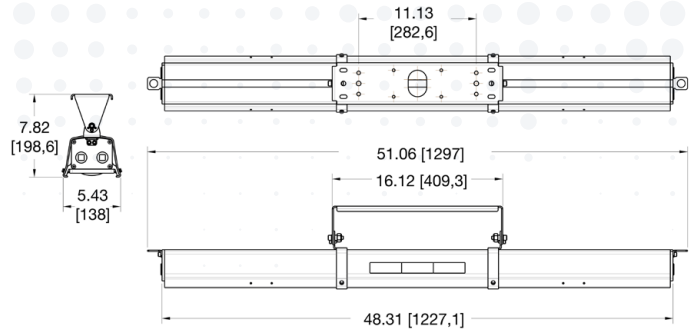
SafeSite® LED End-to-End Linear Fixture - UL 844

Mounting Dimensional

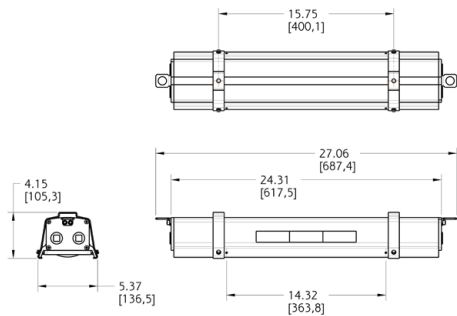
2' - Swivel Mount



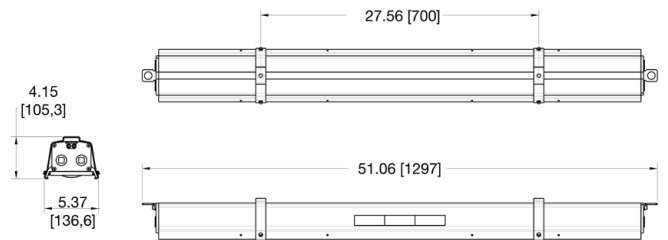
4' - Swivel Mount



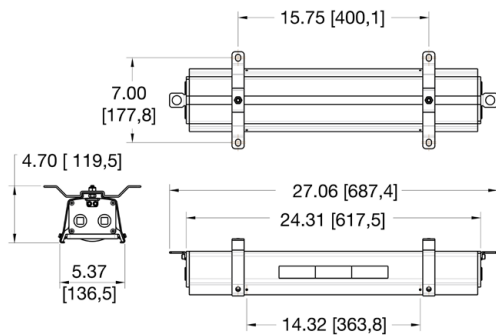
2' - Flush Mount



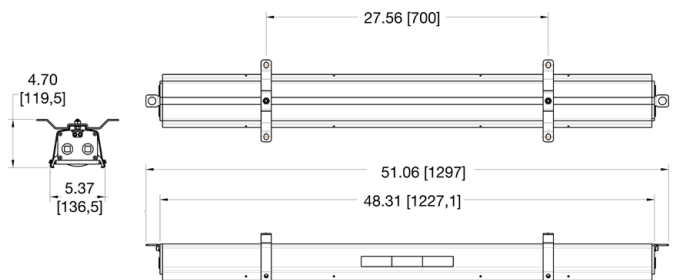
4' - Flush Mount



2' - Ceiling Mount



4' - Ceiling Mount



SafeSite® LED End-to-End Linear Fixture - UL 844

Ordering Information

Part Number ¹	Length	CRI	CID1	CID2	CIID1	CIID2	CIID3	Voltage	Lens	CCT	Fixture Lumens	Watt	LPW	Optical Pattern
CID2 Models														
LBD2MB3FNNNNGN	4'	80		•				120 - 277V AC	Clear	5000K (cool white)	7,500	60	125	Circular
LBD6MB3FNNNNGN	4'	80		•				120 - 277V AC	Diffused	5000K (cool white)	6,750	60	112	Circular
LAD2MB3BNNNNGN	2'	80		•				120 - 277V AC	Clear	5000K (cool white)	4,000	32	125	Circular
LAD6MB3BNNNNGN	2'	80		•				120 - 277V AC	Diffused	5000K (cool white)	3,500	32	109	Circular
CIID1 Models														
LBF2MB3FNNNNGN	4'	80			•	•	•	120 - 277V AC	Clear	5000K (cool white)	7,500	60	125	Circular
LBF6MB3FNNNNGN	4'	80			•	•	•	120 - 277V AC	Diffused	5000K (cool white)	6,750	60	112	Circular
LAF2MB3BNNNNGN	2'	80			•	•	•	120 - 277V AC	Clear	5000K (cool white)	4,000	32	125	Circular
LAF6MB3BNNNNGN	2'	80			•	•	•	120 - 277V AC	Diffused	5000K (cool white)	3,500	32	109	Circular

All values typical unless otherwise stated, Lumen values are typical (tolerance +/- 10%).

* For information on chemical compatibility, please follow this link to reference Dialight's Chemical Compatibility Guide. www.dialight.com/pubs/MDTFCHEMRFLX001.PDF

Part numbers listed in the above table are cool white. For neutral white models replace the 6th character with **N**. Ex. LBD2M**B**3FNNNNGN becomes LBD2M**N**3FNNNNGN.

Light Distribution Pattern

