

# Dialight

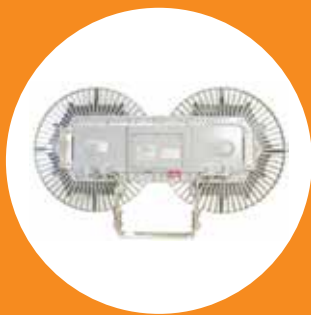


**DuroSite® LED End-to-End Linear Fixture - CE**  
for Indoor and Outdoor Industrial Applications

# On when it matters most.

---

Products and solutions that protect your business





## Features & Benefits

- 5 year warranty
- L70 rated for >100,000 hours @ 25°C
- Instant on/off operation
- Resistant to dust & vibration
- Excellent corrosion resistance to water & salt
- Universal input (120 - 277V AC, 50/60Hz)
- Temperature compensation technology for longer life
- Integrated wiring box on each end for easy install
- Low profile housing for limited space applications
- Through wiring capability

## Application

Dialight's DuroSite LED linear fixture replaces HID and fluorescent lighting fixtures in industrial applications. The DuroSite® LED Linear fixture's rugged solid state design makes it highly resistant to shock and vibration. Its fully gasketed IP66/67 rated enclosure makes it suitable for dusty & wet locations, its 1598/A rating guarantees added protection from salt water spray. The DuroSite LED Linear's superior design allows for wiring and mounting versatility and ease of installation for many lighting applications.

# DuroSite® LED End-to-End Linear Fixture - CE

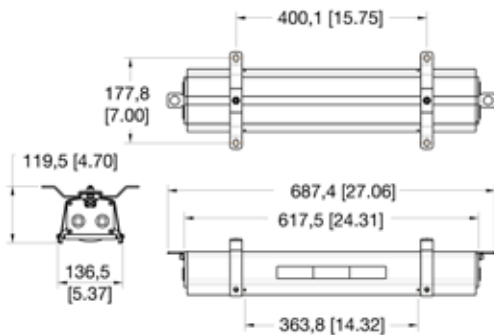
## Standard Models



### Certifications & Ratings

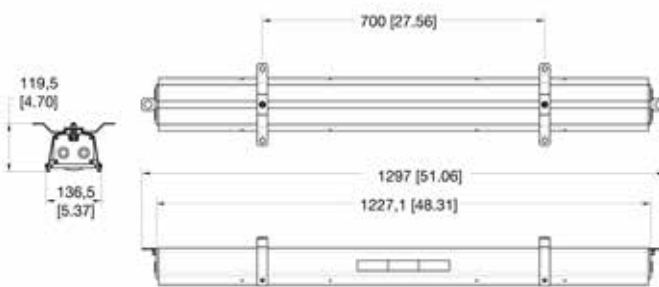
- CE
- EN55015
- EN61547
- EN60598-2-1
- EN61347
- EN61000-3-2
- EN62031
- EN62471
- IP66/67
- NEMA 4X

2' End - to - End Linear Dimensional



Dimensions in mm [inches]

4' End - to - End Linear Dimensional



Dimensions in mm [inches]

### Mechanical Information:

**Fixture weight:** 1,30m - 8.16kg (18 lbs)  
687,4mm - 5.90 kg (13 lbs)

**Shipping weight:** 1,30m - 9.07 kg (20 lbs)  
687,4mm - 6.80 kg (15 lbs)

**Mounting:** (4) M25 openings  
Factory-installed 316 stainless steel ceiling mount

### Electrical Specifications:

**Operating voltage:** 120 - 277V AC

**Power consumption:** See table

**Operating temp:** -40°C to +65°C (-40°F to +149°F)

**Transient protection:** EN 55015 - conducted and radiated  
EN 61000-3-2, EN 61000-4-2,  
EN 61000-4-3, EN 61000-4-4,  
EN 61000-4-6, EN 61000-4-11

**Surge protection:** EN 61000-4-5  
6kV line to line  
6kV line to ground

**THD:** < 20%

**Power factor:** > 0.9

### Construction:

**Housing:** Extruded 6063 aluminium

**Finish:** Superior dual coat finish  
- Sealed polyester topcoat  
- Chemical-resistant epoxy primer

**Lens:** Polycarbonate

### Photometric Information:

**CRI:** 80

**CCT:** 5000K (cool white)  
4000K (neutral white)

**IES files:** Available at [www.dialight.com](http://www.dialight.com)

All values typical unless otherwise stated (tolerance +/- 10%)

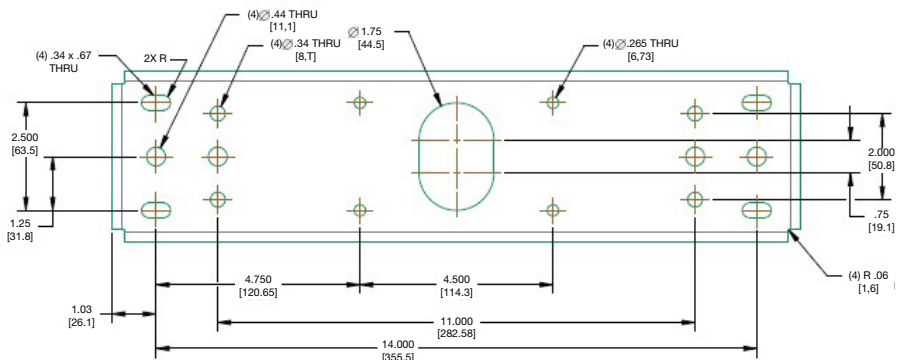
\* For information on chemical compatibility, please follow this link to reference Dialight's Chemical Compatibility Guide.

[www.dialight.com/pubs/MDTFCHEMRFLX001.PDF](http://www.dialight.com/pubs/MDTFCHEMRFLX001.PDF)

# DuroSite® LED End-to-End Linear Fixture - CE

## Mounting Options

### Swivel Mount



#### EEX-S6

- 316 Stainless steel swivel mounting bracket
- Can be angled at 0°, 30°, 45°, 60°, and 90°



### Ceiling Mount



#### EEX-C6

- 316 Stainless steel fixed ceiling mount



### Flush Mount



#### EEX-F6

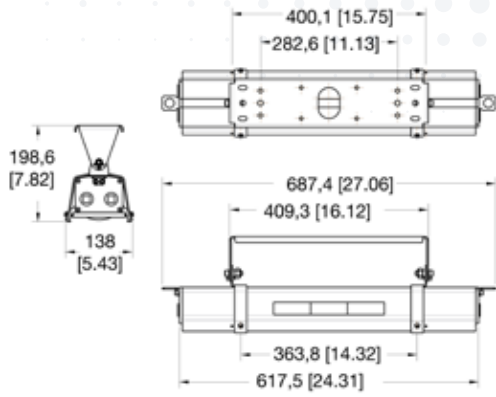
- 316 Stainless steel flush mount



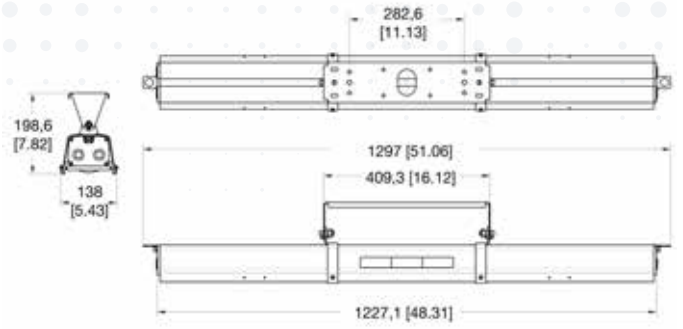
# DuroSite® LED End-to-End Linear Fixture - CE

## Dimensions for Alternate Mounting Brackets

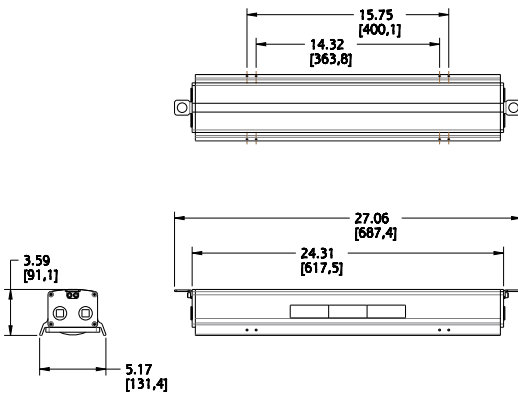
2' - Swivel Mount



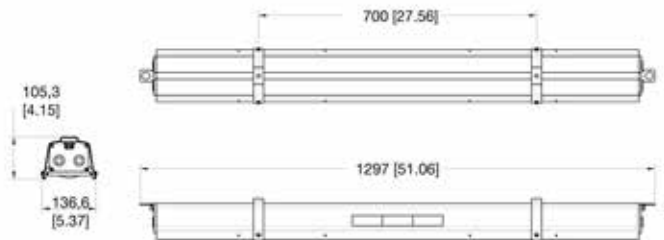
4' - Swivel Mount



2' - Flush Mount



4' - Flush Mount



# DuroSite® LED End-to-End Linear Fixture - CE

## Ordering Information

Part Number	Length	CRI	Fixture Lumen	Watt	LPW	Voltage	CCT	Lens	Optical Pattern
LBE2MB3FNANNGN	1,30m	80	7,500	60	125	120 - 277 V AC	5000K (cool white)	Clear polycarbonate	Circular
LBE6MB3FNANNGN	1,30m	80	6,750	60	112	120 - 277 V AC	5000K (cool white)	Diffused polycarbonate	Circular
LAE2MB3BNANNGN	687,4mm	80	4,000	32	125	120 - 277 V AC	5000K (cool white)	Clear polycarbonate	Circular
LAE6MB3BNANNGN	687,4mm	80	3,500	32	109	120 - 277 V AC	5000K (cool white)	Diffused polycarbonate	Circular

All lumen values are typical (tolerance +/- 10%)

Part numbers listed in the above table are cool white. For neutral white models, please replace the 6th character with **N**. Ex. LBE2MB3FNANNGN becomes LBE2MN3FNANNGN. For factory-installed swivel mount, please replace the 10th character with **S**. Ex. LBE2MB3FNANNGN becomes LBE2MN3FNSNNGN.

### Light Distribution Pattern

