

OBSTRUCTION / VISUAL SIGNAL LIGHT SINGLE and DUAL FIXTURES INSTALLATION INSTRUCTIONS and PARTS LIST

PART No:

860-1x01-00x	120 VAC, Single or Dual	860-1x02-00x	240 VAC, Single or Dual	860-1x03-00x	12 VDC, Single or Dual
860-1x04-00x	48 VDC, Single or Dual	860-1x02-00x EU	230 VAC, Single or Dual, Europe	860-1x05-00x	24 VDC, Single or Dual
860-1x06-00x	10-27 VDC, Single or Dual	860-1R01-001-FAA	120 VAC, Single	860-3x03-00x	12 VDC, Single or Dual, Low Watt
860-4x02-00x	240 VAC, Single or Dual, 50 cd	860-4x02-00x EU	230 VAC, Single or Dual, Europe	860-5x02-00x	240 VDC, Single or Dual, 10 cd
860-6x01-001	120 VAC, Single or Dual, Canada	860-7X02-002	240 VDC, Dual, Australia		
860-8x04-001	48 VDC, Single, Sweden				

[last 3 digits ... 001 = Single 002 = Dual]

WARNING:
 DE-ENERGIZE CIRCUIT BEFORE INSTALLING OR WORKING ON FIXTURE

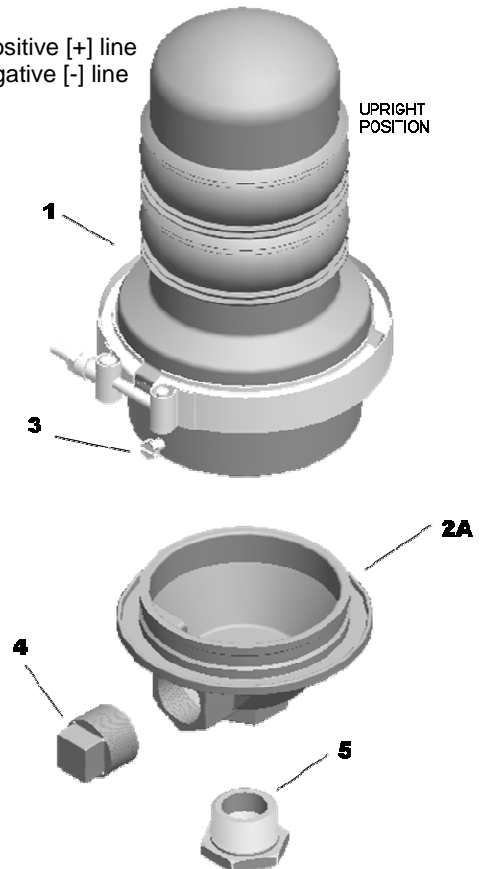
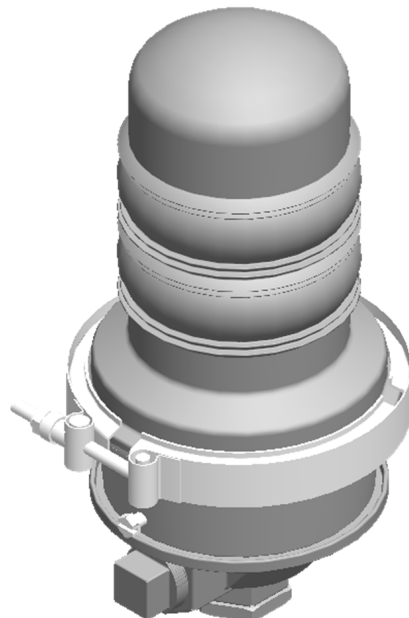
CAUTION
 To retain seal integrity (and preserve warranty) do not loosen or remove the clamp holding the light assembly together

REMOVAL OR LOOSENING OF THE CLAMP WILL VOID ALL WARRANTIES

The light assembly fixture can be mounted in any position. When mounted 'upright' [as illustrated] the fixture **will** meet the designed optical specifications for Aircraft Obstruction Warnings. When mounted in any other position, the fixture **will not** meet the designed optical specifications mentioned and will be considered as a visual signal fixture.

SINGLE FIXTURE INSTALLATION STEPS:

- The single housing [2A] has a 1" NPT [3/4" bushing] end to be assembled to conduit ... right angle or vertical
 - Use a 1-1/2" wrench to attach and tighten the single housing [2A] to the conduit
 - Use the 1" NPT plug [4] to close threaded opening not being used
 - Remove reducing bushing [5] if threading into 1" NPT conduit
- Feed the supply wires through the conduit and single housing [2A] leaving approx 6" of wire for termination inside the single housing [2A].
- Electrically connect the supply wires to the light assembly [1] wires
 - Connect the light assembly wire (with voltage label) to the Hot AC or Positive [+] line
 - Connect the light assembly wire [without label] to the Neutral AC or Negative [-] line
 - Connect the grounding wire [from green screw] to the Ground line
- Tuck the connected wires inside the single housing. [2A].
- Position light assembly [1] on the wire single housing [2A] and use the holding screws [3] to secure the light assembly in place
- Restore power and verify operation



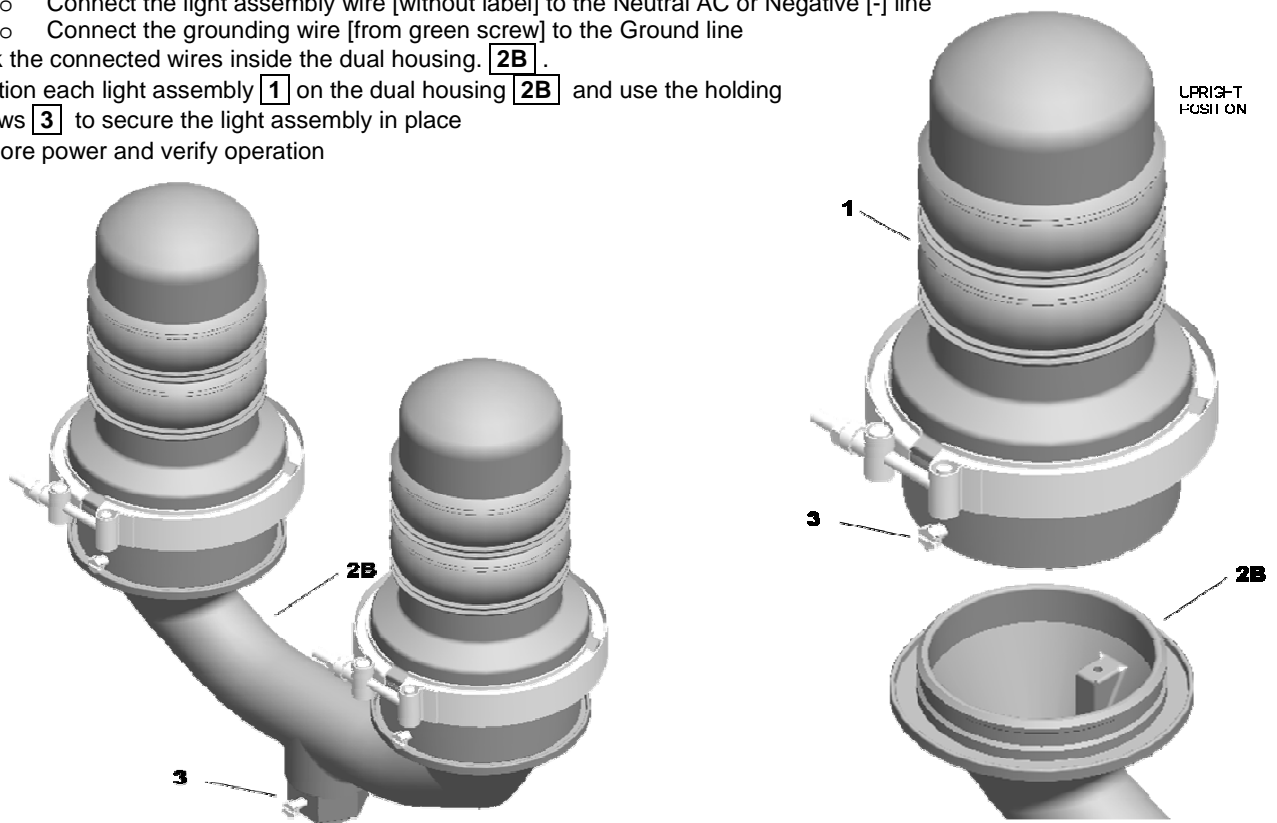
OBSTRUCTION / VISUAL SIGNAL LIGHT

SINGLE and DUAL FIXTURES

INSTALLATION INSTRUCTIONS and PARTS LIST

DUAL FIXTURE INSTALLATION STEPS:

- The dual housing **2B** has a 1" NPT [3/4" bushing] end to be assembled to conduit.
 - Use a 1-1/2" wrench to attach and tighten the dual housing **2B** to the conduit
 - Tighten the holding screw **3** to secure the dual housing **2B** in position.
 - Remove reducing bushing if threading into 1" NPT conduit
- Feed the supply wires through the conduit and dual housing **2B** leaving approx 6" of wire for termination inside the dual housing **2B**.
- Electrically connect the supply wires to the light assembly **1** wires
 - Connect the light assembly wire (with voltage label) to the Hot AC or Positive [+] line
 - Connect the light assembly wire [without label] to the Neutral AC or Negative [-] line
 - Connect the grounding wire [from green screw] to the Ground line
- Tuck the connected wires inside the dual housing. **2B**.
- Position each light assembly **1** on the dual housing **2B** and use the holding screws **3** to secure the light assembly in place
- Restore power and verify operation



Please refer to product data sheet for electrical parameters if required

U.S. Patent 6,425,678

PARTS LIST

Item	Part No.	Description	Item	Part No.	Description	Part No.	Description	
	860-1x01	Light Ass'y 120V		860-3x03	Light Ass'y 12V, Low W att	860-4000	Glass Lens Replace [Red]	
	860-1x02	Light Ass'y 240V		860-4x02	Light Ass'y 240V, 50cd	860-4001	Glass Lens Replace [Clear]	
1	860-1x03	Light Ass'y 12V	1	860-5x02	Light Ass'y 240V, 10cd	860-4002	Glass Lens Replace [Green]	
	860-1x04	Light Ass'y 48V		860-6x01	Light Ass'y 120V, Canada	860-4003	Glass Lens Replace [Yellow]	
	860-1x05	Light Ass'y 24V		860-7x02	Light Ass'y 240V, Australia	860-4004	Glass Lens Replace [Blue]	
	860-1x06	Light Ass'y 10-27V		860-8x04	Light Ass'y 48V, Sweden			
	2A	860-1000		Single Wire Housing	3	---	1/4-20 x 1/2 Holding Screw	Replaced glass lens will void warranties
	2B	860-2000		Dual Wire Housing	4	---	1" NPT Plug	
			5	---	1" to 3/4" Bushing			

Replace the X with color letter required ... B=Blue G=Green R=Red W=White Y=Yellow

REV	ECO NO	DRN	CHD	APP	CM	DATE
A	---	AV	MES	KJZ	JB	8/22/2008
B	09040206	ALV	KH	RA	JB	4/13/2009