

INSTALLATION INSTRUCTIONS and PARTS LIST
 SINGLE, DUAL and RETRO FIXTURES
 MINI L-810 OBSTRUCTION LIGHT

Model No	Description	Model No	Description	Model No	Description
RTO 1x07 xxx	120-240 VAC, FAA	RTO 6x07 xxx	120-240 VAC, Canada	RTO 0x07 xxx	120-240 VAC, NonFAA
RTO 1x06 xxx	277 VAC	RTO 1x08 xxx	12-48 VDC	RTO 2x07 xxx	120-240 VAC, C1D2
RTO BW07 xxx	120-277 VAC	RTO CR07 xxx	120-240 VAC, IR	RTO CR08 xxx	12-48 VDC, IR
RTO 1R18 xxx	12-48 VDC	RTO 6CR7 xxx	120-240 VAC, Canada IR	RTO ERx8 xxx	12-48 VDC, C1D2

5th digit ... x = color last 3 digits ... 001 = Single 002 = Dual 004 = Retro



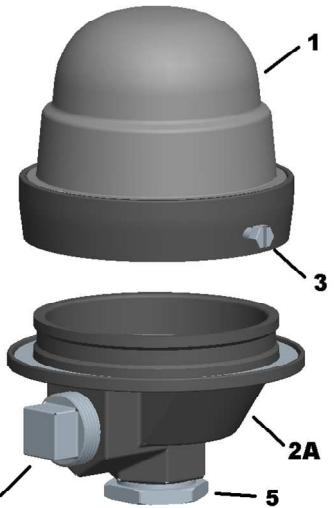
WARNING – EXPLOSION HAZARD – DO NOT DISCONNECT WHILE CIRCUIT IS LIVE UNLESS AREA IS KNOWN TO BE NON-HAZARDOUS.



AVERTISSEMENT – RISQUE D'EXPLOSION. NE PAS DÉBRANCHER TANT QUE LE CIRCUIT EST SOUS TENSION. À MOINS QU'IL NE S'AGISSE D'UN EMPLACEMENT NON DANGEREUX.

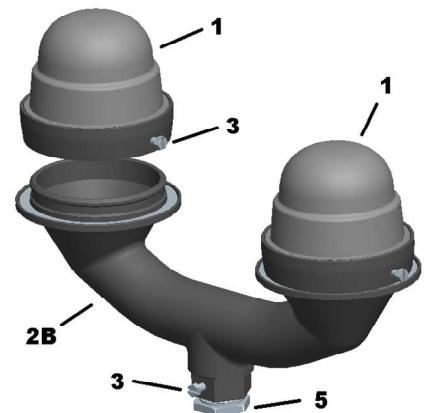
SINGLE FIXTURE INSTALLATION STEPS:

- ▶ The wire housing **2A** has a 1" NPT [3/4" bushing] end to be assembled to conduit [right angle or vertical]
 - Use a 1-1/2" wrench to tighten and attach the wire housing **2A** to the conduit
 - Remove reducing bushing **5** if threading into 1" NPT conduit
 - Use 1" NPT plug **4** to close threaded opening not being used
- ▶ Feed the supply wires through the conduit and wire housing **2A** leaving approx 6" of wire for termination inside the wire housing **2A**.
- ▶ Electrically connect the supply wires to the light assembly **1** wires
 - Connect the light assembly wire [with voltage label] to the Hot AC line or Positive [+] line
 - Connect the light assembly wire [without label] to the Neutral AC line or Negative [-] line
 - Connect the light assembly green grounding wire to the Ground line
- ▶ Tuck the connected wires inside the wire housing **2A**.
- ▶ Position light assembly **1** over the wire housing **2A** and secure using the holding screws **3**.
- ▶ Restore power and verify operation



DUAL FIXTURE INSTALLATION STEPS:

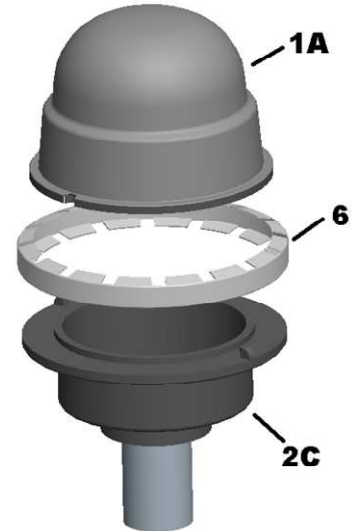
- ▶ The dual housing **2B** has a 1" NPT end to be assembled to conduit
 - Remove reducing bushing **5** if threading into 1" NPT conduit
 - Use a 1-1/2" wrench to tighten and attach the dual housing **2B** to the conduit
 - Tighten the 1/4 screw **3** to secure the dual wire housing in position
- ▶ Feed the supply wires through the conduit and dual housing **2B** leaving approx 6" of wire for termination inside the wire housing **2B**.
- ▶ Electrically connect the supply wires to the light assembly **1** wires
 - same as SINGLE FIXTURE installation
- ▶ Tuck the connected wires inside the dual housing **2B**.
- ▶ Position each light assembly **1** over the dual housing **2B** and use the holding screws **3** to secure the light assembly in place
- ▶ Restore power and verify operation



INSTALLATION INSTRUCTIONS and PARTS LIST
 SINGLE, DUAL and RETRO FIXTURES
 MINI L-810 OBSTRUCTION LIGHT

RETRO INSTALLATION STEPS:

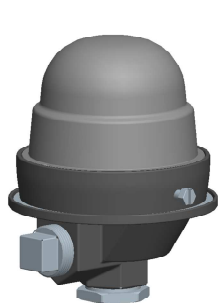
- ▶ Remove existing lens and clamp **6** from existing fixture
- ▶ Do not discard clamp **6** since it will be used to secure light assembly **1A**.
- ▶ Remove and discard all internal components required for use with incandescent bulb
- ▶ Leave only the source wires that lead into the existing base **2C**.
- ▶ Electrically connect the supply wires to the light assembly **1A** wires
 - same as *SINGLE FIXTURE* installation
- ▶ Tuck the connected wires inside the existing base **2C**.
- ▶ Place light assembly **1A** on existing base **2C** and secure using existing clamp **6**.
- ▶ Restore power and verify operation



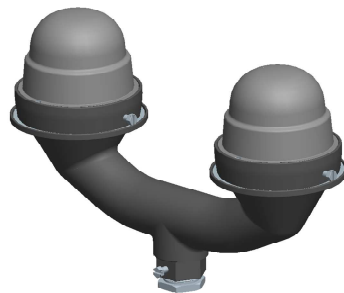
RETRO ONTO 3/4-14 NPT CONDUIT INSTALLATION STEPS:

- ▶ Electrically connect the supply wires to the light assembly **1A** wires
 - same as *SINGLE FIXTURE* installation
- ▶ Use a 1-1/4" wrench to tighten and attach the light assembly **1A** to the conduit
- ▶ Restore power and verify operation

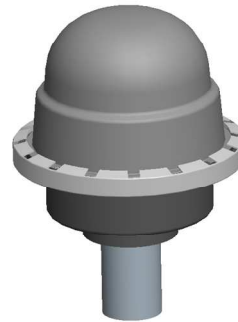
Please refer to product data sheet for electrical parameters if required



Single Housing Fixture



Dual Housing Fixture



Retro Fixture [Housing]



Retro Fixture [Conduit]

Patent Pending

PARTS LIST

Item	Part No.	Description	Item	Part No.	Description
1	.	Light Assembly (w/ Adapter)	3	.	1/4-20 x 1/2 Holding Screw
1A	.	Light Assembly (w/o Adapter)	4	.	1" Plug
2A	860-1000	Single Housing	5	.	1" to 3/4" Bushing
2B	860-2000	Dual Housing	6	.	Existing Installed Clamp
2C	.	Existing Installed Housing	.	.	

Rev	ECO No	Dwn	Chk	App	CM	Date
G	19452	SA	AR	DW	JN	7-11-14