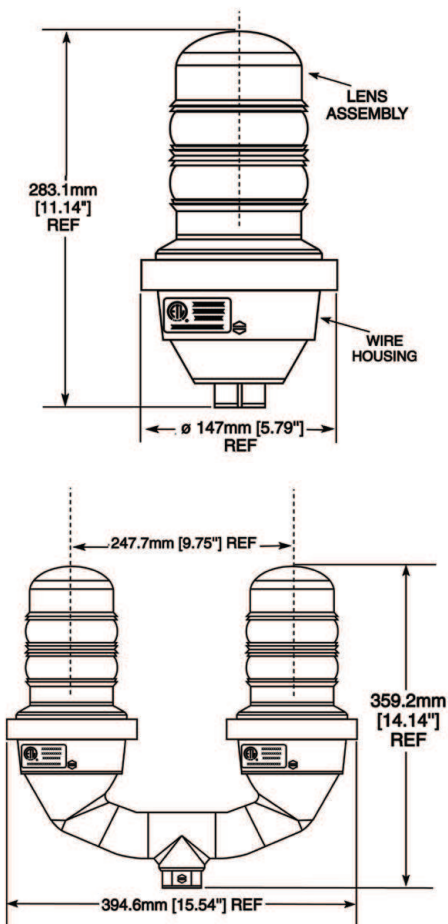
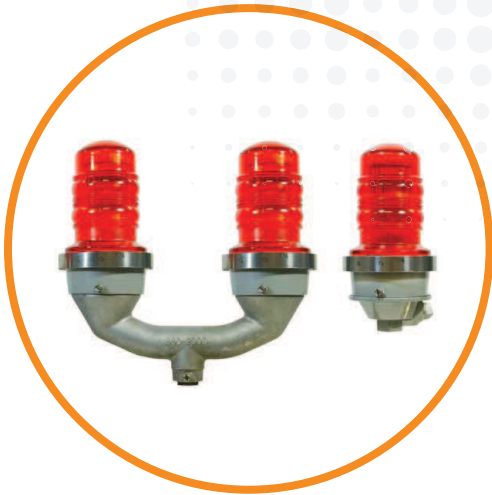


Vigilant LED Based L-810

Low Intensity (Red) Light



Dimensions in inches [mm]

Certifications & Compliance

- FAA AC 150 / 5345 - 43G
- FAA EB No. 67D
- IP66
- German Air Traffic Control Notices for Pilots Part I 6, January 2005
- Transport Canada CAR 621.19
- ICAO Annex 14
- DGAC Mexico
- CASA
- Nachrichten für Luftfahrer Teil I Langen, 6. Januar 2005

Features & Benefits

- ETL verified to FAA standards
- Superior surge and lightning protection
- Controllers available for all applications
- Ideal for towers, stacks, wind turbines, buildings, etc.
- 360 degree coverage for each flash head
- Shock and vibration resistant
- Lighting kits available for standard towers
- 6kV of surge protection

Mechanical Information:

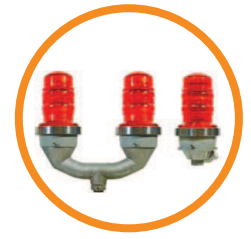
| | |
|-------------------------------|--|
| Unit weight: | 7.14 lbs (3.23 kg) (Single unit) 16.06 lbs (7.28 kg) (Dual unit) |
| Wattages: | 15W / 120mA (120V AC) +/-10% 16W / 120mA (230V AC-60Hz) +/-15% 16W / (230V AC - 50 Hz) 24W / 2.0A (12V DC - Standard) 20W / 920mA (24V DC) 13W / 275mA (48V DC) |
| Voltage amp: | 44 VA (120V AC) +/-10% 67 VA (230V AC) +/-15% |
| Operating temperature: | -67°F to +131°F (-55°F to +55°F) |

All values typical unless otherwise stated (tolerance +/- 10%)

US Patent #6,425,678 (other patents pending)

Vigilant LED Based L-810

Low Intensity (Red) Light Ordering Information



| Part Number | Description | Voltage | Certification / Compliance |
|-----------------|--------------|---------|----------------------------|
| 860-1R01-001 | Single Light | 120V AC | FAA (TC) L-810 |
| 860-1R02-001 | Single Light | 230V AC | FAA (TC) L-810 |
| 860-1R03-001 | Single Light | 12V DC | FAA (TC) L-810 |
| 860-1R04-001 | Single Light | 48V DC | FAA (TC) L-810 |
| 860-1R05-001 | Single Light | 24V DC | FAA (TC) L-810 |
| 860-1R01-002 | Dual Light | 120V AC | FAA (TC) L-810 |
| 860-1R02-002 | Dual Light | 230V AC | FAA (TC) L-810 |
| 860-1R03-002 | Dual Light | 12V DC | FAA (TC) L-810 |
| 860-1R04-002 | Dual Light | 48V DC | FAA (TC) L-810 |
| 860-1R05-002 | Dual Light | 24V DC | FAA (TC) L-810 |
| 860-5R02-001 | Single Light | 230V AC | ICAO only, 10cd |
| 860-5R02-002 | Dual Light | 230V AC | ICAO only, 10cd |
| 860-4R02-001-EU | Single Light | 230V AC | ICAO only, 50cd |
| 860-4R02-002-EU | Dual Light | 230V AC | ICAO only, 50cd |
| 860-1R02-001-EU | Single Light | 230V AC | ICAO only, 32cd |
| 860-1R02-002-EU | Dual Light | 230V AC | ICAO only, 32cd |
| 860-6R01-001 | Single Light | 120V AC | TC only L-810 |
| 860-6R01-002 | Dual Light | 120V AC | TC only L-810 |
| 860-7R02-002 | Dual Light | 230V AC | CASA only, 100cd |

¹All candela's are minimums. See www.dialight.com for more information

Dialight also offers these LED Obstruction lights for use in Hazardous Locations (Class I, Div 2)



SafeSite L-810 Red LED Side Light



SafeSite L-810 LED Steady Burn Visual Signals



SafeSite FLS Flashing Visual Signals

