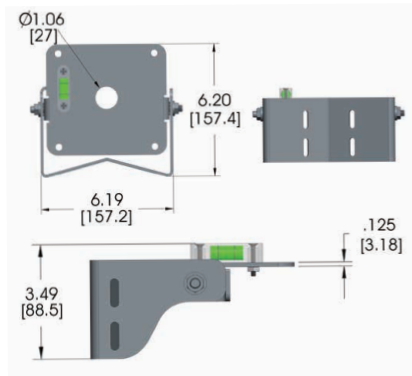


## Low Intensity (L-810)

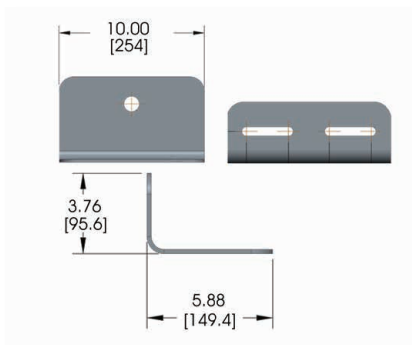
### Mounting Brackets



## RTO-BRKT-01

### Adjustable Midpoint Bracket

- Includes mounting hardware
- Stainless steel (304ss)
- -5 to 15° of horizontal adjustment
- Weight = 2.5 lbs
- Tower leg mounting range
  - Round = 1.5"-7.5"
  - Square = 1.5"-6.0"
  - Angle = 1.5"-6.5"



## RTO-BRKT-02

### Fixed Midpoint Bracket

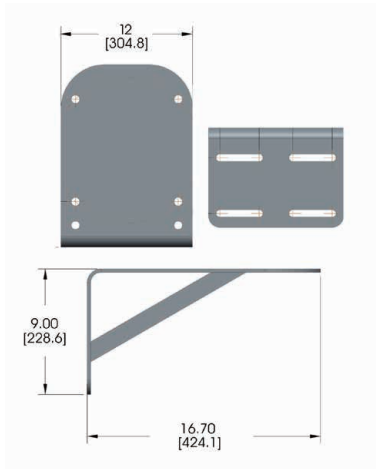
- Includes mounting hardware
- Hot dip galvanized steel
- Weight = 5.0 lbs
- Tower leg mounting range
  - Round = 1.5"-6"
  - Square = 1.5"-5.5"
  - Angle = 1.5"-7.75"

# Medium Intensity (L-864 & L-865)

## Mounting Brackets



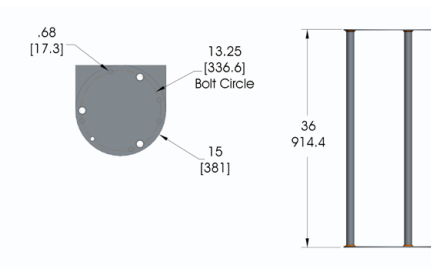
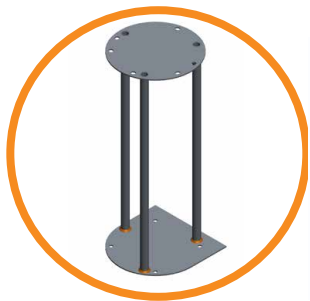
L-864  
L-865



### D1RW-BRKT-01

#### Midpoint Bracket

- Includes mounting hardware
- Hot dip galvanized steel
- Bracket weight = 22.5 lbs
- FAA Hole Pattern
- Tower leg mounting range
  - Round = 1.5"-10"
  - Square = 1.5"-8"
  - Angle = 1.5"-7.75"

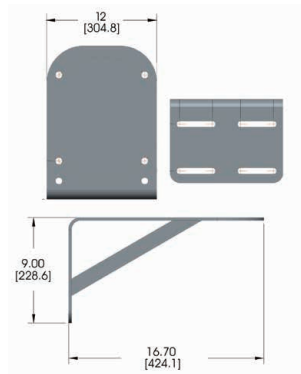


### D1RW-BRKT-03

#### 3' Top Extension Mount

- Hot dip galvanized steel
- Weight = 34 lbs
- Optional stiffening plate available upon request

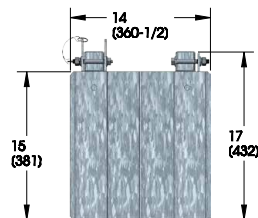
## Ice Shields



### D1RW-SHIELD-01

#### Midpoint Ice Shield

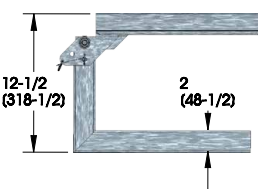
- Includes mounting hardware
- Hot dip galvanized steel
- Bracket weight = 22.5 lbs
- Tower leg mounting range
  - Round = 1.5"-10"
  - Square = 1.5"-8"
  - Angle = 1.5"-7.75"



### D1RW-SHIELD-02

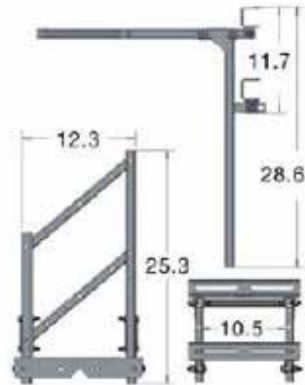
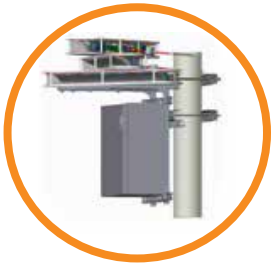
#### Integrated Ice Shield

- Mounts to Midpoint Bracket (D1RW-BRKT-01)
- No additional hardware required
- Hot dip galvanized steel
- Bracket weight = 25lbs
- Tower leg mounting range
  - Round = 1.5"-10"
  - Square = 1.5"-8"
  - Angle = 1.5"-7.75"



# High Intensity (L-856)

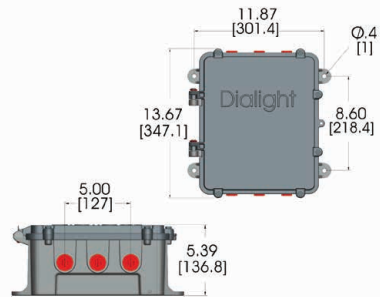
## Mounting Bracket



### D266-BRKT-01

- Includes mounting hardware
- Hot dip galvanized steel
- Adjustable from -3° to +8°
- Tower leg mounting range
  - Round = 1.5" - 10"
  - Square = 1.5" - 8"
  - Angle = 1.5" - 7.75"
- Integrated mounting of power supply
- Bracket weight - 20 lbs

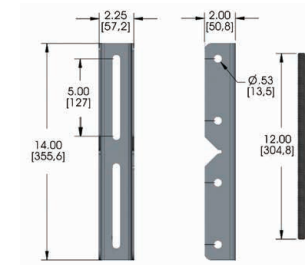
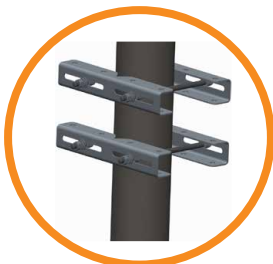
## Additional Accessories



### DBXS-16AG0

#### Junction Box

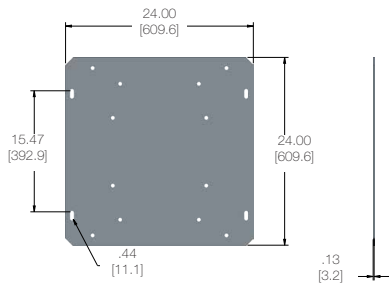
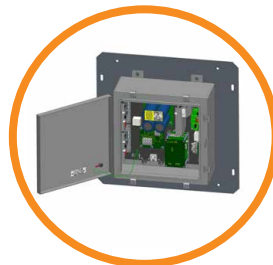
- Mounting hardware not included
- Six (6) 3/4 NPT entries
- Powder coated copper-free cast aluminum
- Weight = 11.5 LB



### DBXS-HW01

#### Junction Box Mounting Hardware

- For use with DBXS Junction Boxes & Dialight brackets
- Hot dip galvanized steel
- Tower leg mounting range
  - Round = 1.5"-6"
  - Square = 1.5"-5.5"
  - Angle = 1.5"-7.75"



### D1RW-HFRM-01

#### H-Frame Conversion Plate

- For mounting Dialight controller or power supply
- No hardware included
- Aluminum

\*Power supply and enclosure not included

Dialight reserves the right to make changes at any time in order to supply the best product possible. The most current version of this document will always be available at: [www.dialight.com](http://www.dialight.com)

Warranty Statement: EXCEPT FOR THE WARRANTY EXPRESSLY PROVIDED FOR [HEREIN/ABOVE/BELOW], DIALIGHT DISCLAIMS ANY AND ALL OTHER WARRANTIES, EXPRESS OR IMPLIED, INCLUDING, WITHOUT LIMITATION, ANY WARRANTIES OF MERCHANTABILITY, FITNESS FOR A PARTICULAR PURPOSE, TITLE, AND NONINFRINGEMENT.