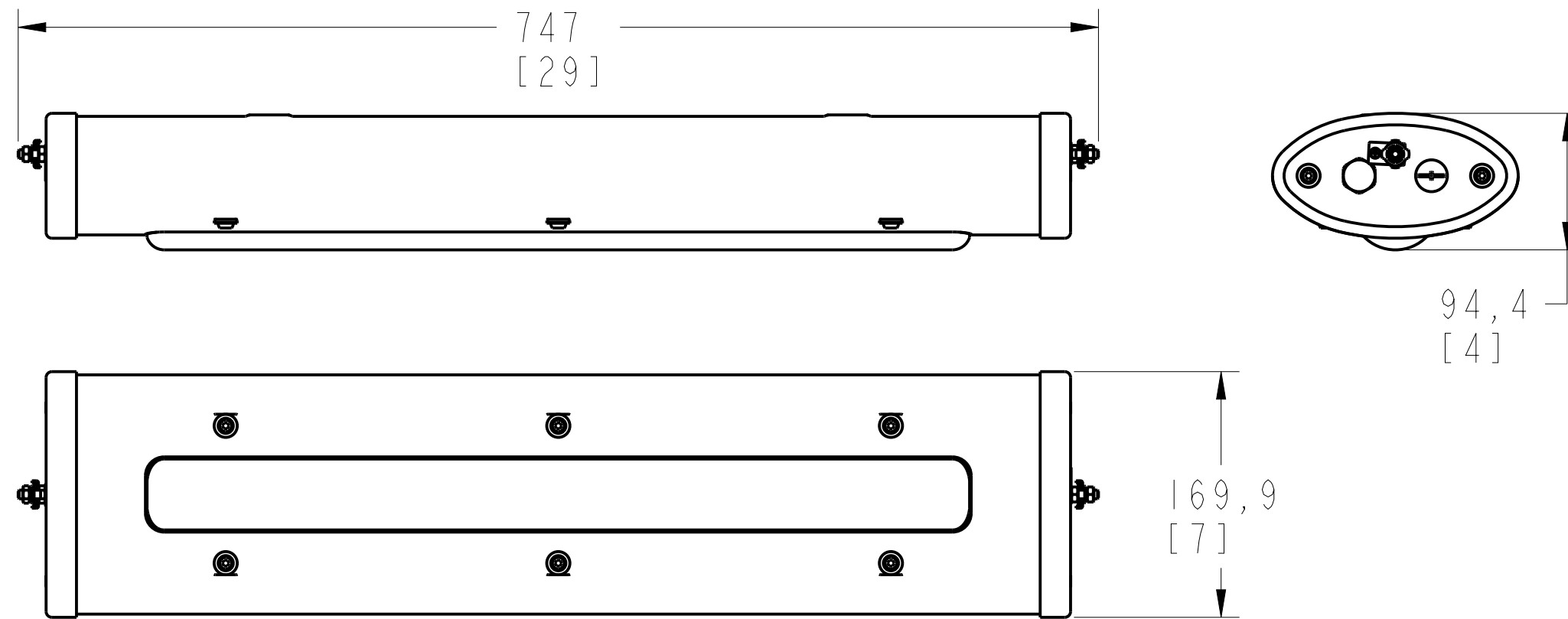
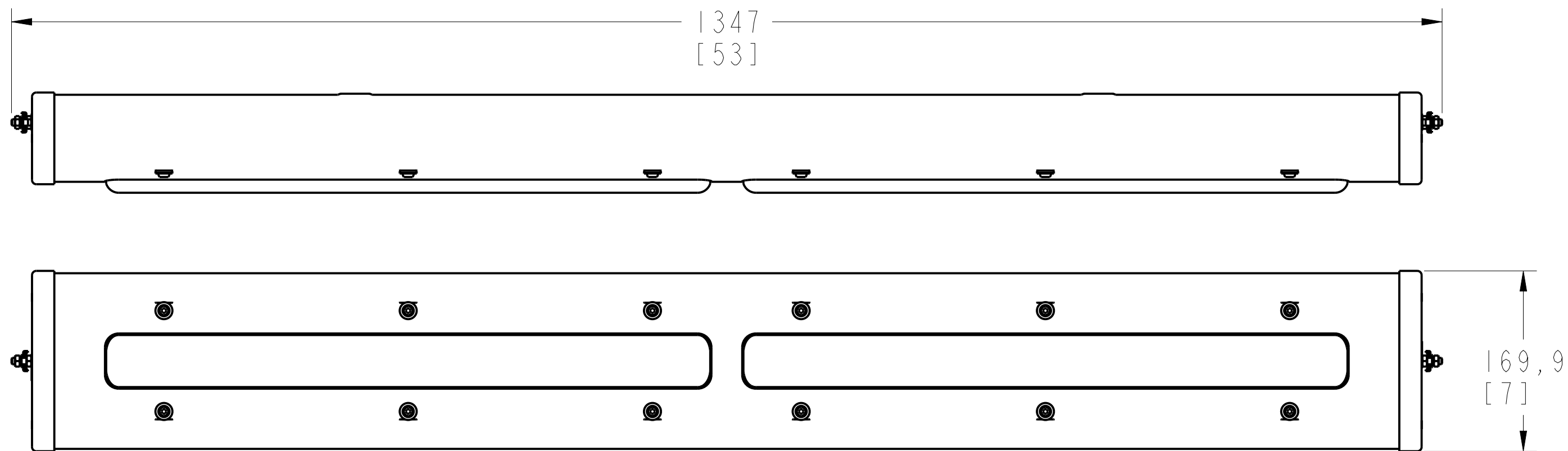



REV	ECN NO	REVISIONS	DRN	DATE
A	---	NEW RELEASE	NBG	08/09/17

## 2 FT. NON-EMERGENCY

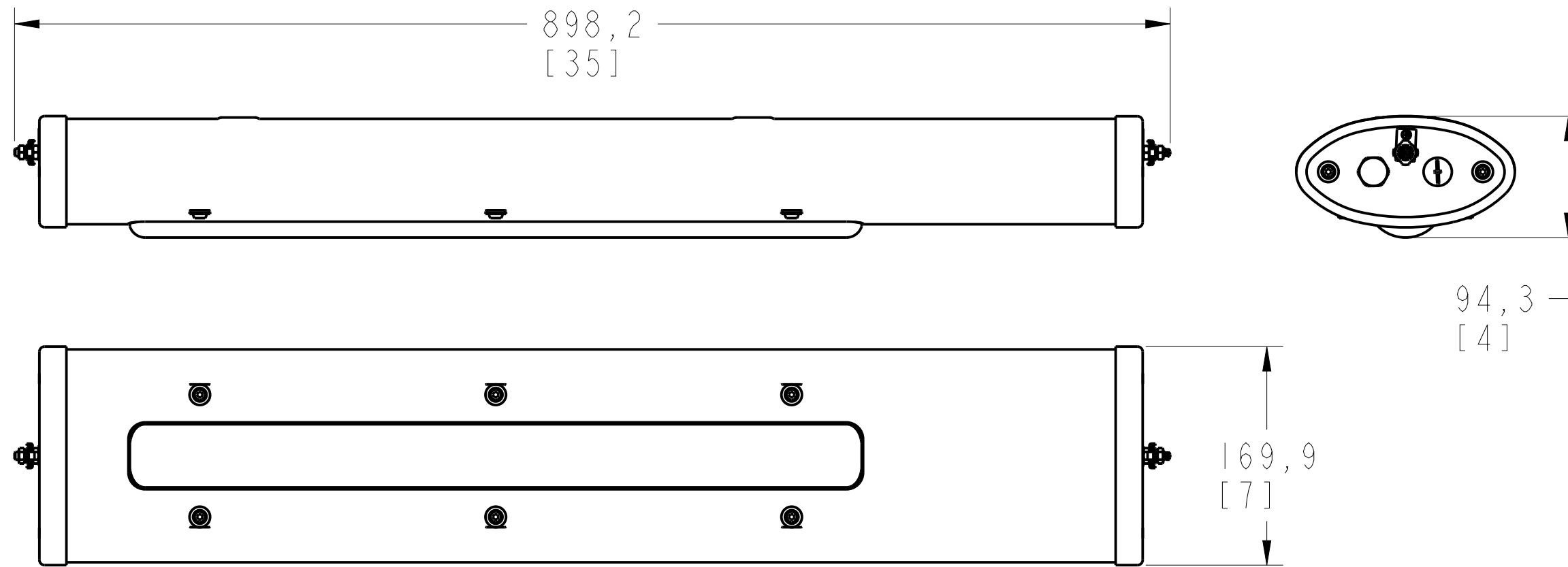


## 4 FT. NON-EMERGENCY

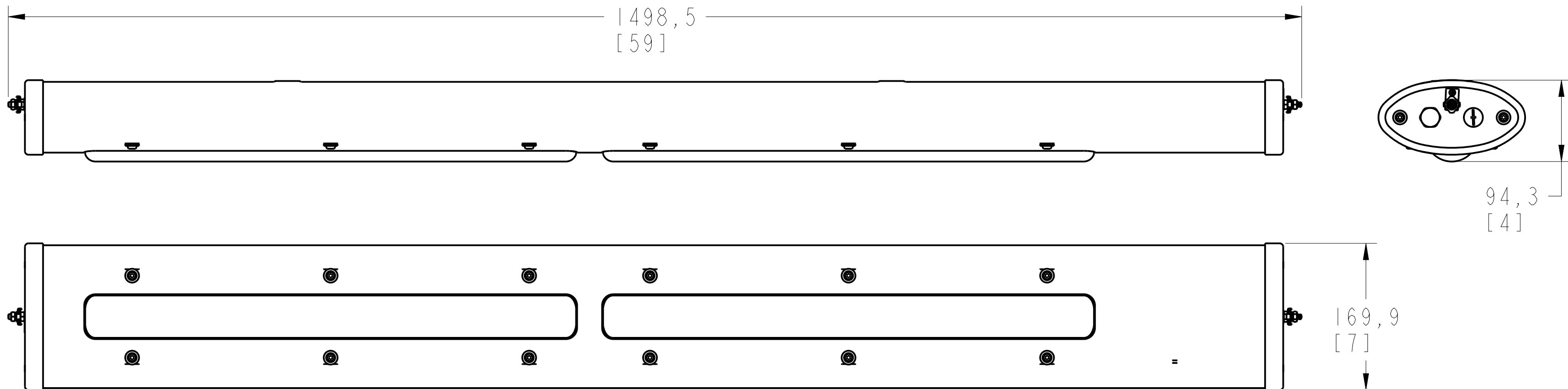


THIS DRAWING AND THE CONTENTS HEREIN ARE CONFIDENTIAL AND THE SOLE PROPERTY OF DIALIGHT CORP. REPRODUCTION OF THIS DRAWING OR CONSTRUCTION OF ANY PARTS WITHIN THIS DRAWING ARE FORBIDDEN WITHOUT THE WRITTEN CONSENT OF DIALIGHT CORP.		
DIALIGHT CORP. INTERNAL REFERENCE ONLY - 3D MODEL: ELA1C3RSSCB-A-4		
SCALE: 0.250	DRAWING NUMBER	REV
ALL DIM'S IN: INCHES (MM)	<b>C-18348</b>	<b>A</b>
TOLERANCES: UNLESS OTHERWISE SPECIFIED	TITLE <b>STAINLESS STEEL LINEAR VARIATIONS</b>	
FRACTIONS: ±1/64	MATERIAL	
DECIMALS (.XX): ±.01		
DECIMALS (.XXX): ±.005		
DECIMALS (.XXXX): ±.0005		
ANGLES: ±1°		
FINISH	 1501 ROUTE 34 SOUTH FARMINGDALE, NJ 07727 (732) 919-3119 www.dialight.com	
FSCM 83330	SHEET 1 OF 2	FAMILY TABLE:

## 2 FT. EMERGENCY



## 4 FT. EMERGENCY



THIS DRAWING AND THE CONTENTS HEREIN ARE CONFIDENTIAL AND THE SOLE PROPERTY OF DIALIGHT CORP. REPRODUCTION OF THIS DRAWING OR CONSTRUCTION OF ANY PARTS WITHIN THIS DRAWING ARE FORBIDDEN WITHOUT THE WRITTEN CONSENT OF DIALIGHT CORP.

DIALIGHT CORP. INTERNAL REFERENCE ONLY - 3D MODEL: ELA1C3R55CB-A.4

SCALE: 0.091	DRAWING NUMBER	REV
ALL DIM'S IN: INCHES (MM)	<b>C-18348</b>	<b>A</b>
TOLERANCES: UNLESS OTHERWISE SPECIFIED	TITLE <b>STAINLESS STEEL LINEAR VARIATIONS</b>	
FRACTIONS: ±1/64	MATERIAL	
DECIMALS (.XX): ±.01		
DECIMALS (.XXX): ±.005		
DECIMALS (.XXXX): ±.0005		
ANGLES: ±1°		
FINISH	 1501 ROUTE 34 SOUTH FARMINGDALE, NJ 07727 (732) 919-3119 www.dialight.com	
FSCM 83330	SHEET 2 OF 2	FAMILY TABLE: