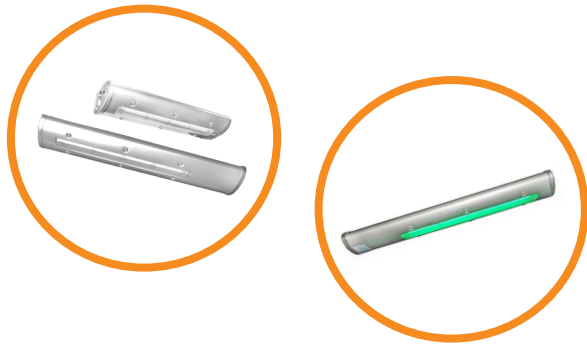


SafeSite® LED Stainless Steel Linear

Technical Specifications



Ratings and Certifications

- 5 year warranty
- L70 >150,000 hours @ 25°C ambient
- IECEx / ATEX Zones 1, 21 and Zones 2, 22
- IP66/67
- IK09
- CE

*All features not available on every model. Please refer to product part number pages for model specifics. Emergency battery backup version available. Green shower safe models available.

Mechanical Information

Fixture weight:	Standard: 1308mm - 11.3 kg (25 lbs) 708mm - 6.8 kg (15 lbs)
	Emergency: 1308mm - 14.1 kg (31 lbs) 708mm - 9.1 kg (20 lbs)
Shipping weight:	Standard: 1308mm - 14.1 kg (31 lbs) 708mm - 9.1 kg (20 lbs)
	Emergency: 1308mm - 17.2 kg (38 lbs) 708mm - 10.9 kg (24 lbs)
Mounting:	(2) M8 fixing points
Cable Entry:	M25 x 2 cable entries at both ends, through wired as standard. M20 options available, consult sales
Terminals	4mm ² x 7

Specifications

Voltage options:	Standard: 110-250 VAC	Housing:	316 Marine grade stainless steel
	Emergency: 230, 240 VAC		Lens:
Operating temp:	Standard: -20°C to +60°C	CRI:	70
	Emergency: -20°C to +60°C		CCT:
Power factor:	>0.9	Surge protection:	EN 61000-4-5 1 kV line to line, 2 kV line to ground

Emergency Models

Battery:	3.6V 10Ah NiMH	Duration:	> 180 minutes
Expected battery life:	4 years		

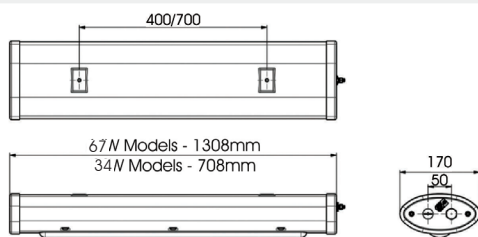
Comparison

	Warranty	L70	T-Rating
Dialight LED Linear	5yr	>150,000	T5
Fluorescent	1	24,000	T4

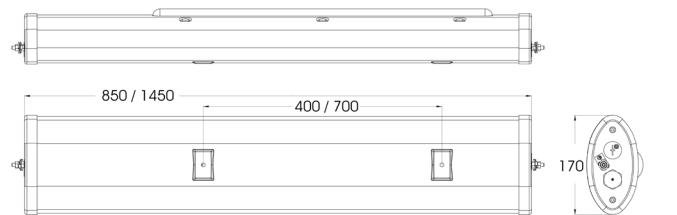
Lumens Wattage lm/W Mounting Heights

Lumens	Wattage	lm/W	Mounting Heights
5,100	64	81	6m
			↕
2,600	32	81	3m

Standard Model Dimensions

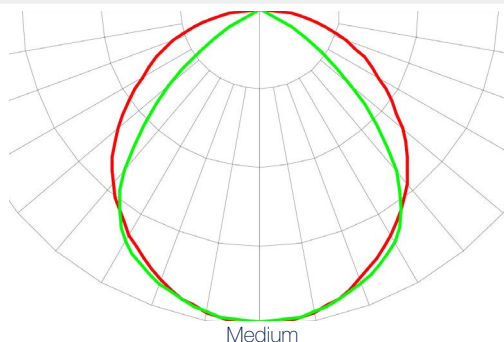


Emergency Model Dimensions



Dimension in mm

Beam Distribution



When ordering please refer our website www.dialight.com to view the current versions of all relevant product documentation, including the most up-to-date product data sheets. For the avoidance of doubt, in the event of any discrepancy between the contents of this document and information provided on our website, the information provided on our website shall prevail.

SafeSite® LED Stainless Steel Linear

Ordering Information & Mounting Accessories

Part Number	Fixture Lumens	Emergency Mode Lumens	Wattage	lm/W	Voltage	Colour Temperature (CCT)	Lens	Beam Distribution
Standard Models								
ELA-1C6R-SSCB4	5,100		67	76	110-250 VAC	5000K (cool white)	Polycarbonate	Medium
ELA-1C6M-SSCB4	2,600		34	76	110-250 VAC	5000K (cool white)	Polycarbonate	Medium
ELA-1N6R-SSCB4	4,850		67	72	110-250 VAC	4000K (neutral white)	Polycarbonate	Medium
ELA-1N6M-SSCB4	2,500		34	74	110-250 VAC	4000K (neutral white)	Polycarbonate	Medium
Shower Safe Models								
ELA-1G3M-SSC			34		110-250 VAC	Green	Polycarbonate	Medium
Emergency Models								
ELEA-2C7R-SSCB4	5,100	271	70	73	230 / 240 VAC	5000K (cool white)	Polycarbonate	Medium
ELEA-2C7M-SSCB4	2,600	271	35	74	230 / 240 VAC	5000K (cool white)	Polycarbonate	Medium

All values typical unless otherwise stated (tolerance +/- 10%).
M20 options available, please consult local Dialight sales office for availability.



ELXCMBSS

- 316 Marine Grade Stainless steel ceiling mount kit



ELXPCSS42

- 40Ø - 45mm range 316 Marine Grade Stainless steel pole clamp



ELXWMBSS30

- 30° 316 Marine Grade Stainless steel wall mount kit



ELXEYESS

- 316 Marine Grade Stainless steel eyelet kit

ELXPCSS47

- 47Ø - 51mm range 316 Marine Grade Stainless steel pole clamp

ELXWMBSS45

- 45° 316 Marine Grade Stainless steel wall mount kit

ELXPCSS54

- 54Ø - 57mm range 316 Marine Grade Stainless steel pole clamp

ELXWMBSS60

- 60° 316 Marine Grade Stainless steel wall mount kit



ELX-BATT-KIT

- Emergency model
- 3.6V 10Ah NiMH battery kit

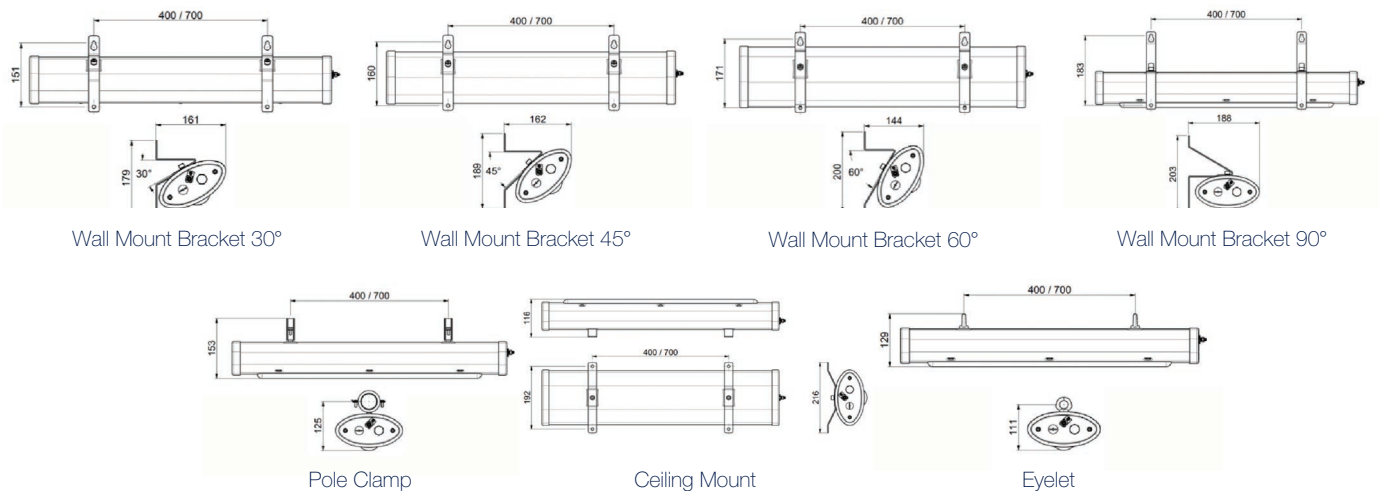
ELXPCSS59

- 59Ø - 62mm range 316 Marine Grade Stainless steel pole clamp

ELXWMBSS90

- 90° 316 Marine Grade Stainless steel wall mount kit

Mounting Options



When ordering please refer our website www.dialight.com to view the current versions of all relevant product documentation, including the most up-to-date product data sheets. For the avoidance of doubt, in the event of any discrepancy between the contents of this document and information provided on our website, the information provided on our website shall prevail.