

# DuroSite® LED Bulkhead/Shower Light - CE/UL

## Technical Specifications



Ratings and Certifications
• 5 year warranty
• CE / RCM / UL
• IP66 / 67
• Amber or green models available
• Emergency models available

\*All features not available on every model. Please refer to product part number pages for model specifics.

Mechanical Information		Specifications	
<b>Fixture weight:</b>		<b>Voltage options:</b>	<b>Housing:</b> Copper-free aluminium
Standard & Amber Models		<b>Power factor:</b> >0.9	
<b>22W/34W:</b>	4.5 kg (10 lb)	<b>22W:</b>	100-277 VAC or 24-48 VDC
Emergency Models		<b>34W:</b>	100-277 VAC
<b>24W/36W:</b>	5.4 kg (12 lb)	<b>THD:</b> <20%	
<b>Cable Entries:</b>	All cable entries are drilled and tapped	<b>Lens:</b>	High impact resistant clear glass or frosted glass
	M20 (standard)	<b>Finish:</b> Superior dual coat finish - Sealed polyester topcoat - Chemical-resistant epoxy primer	
<b>Terminals:</b>	0.5-4mm <sup>2</sup> x 3 via integrated junction box	<b>Operating temp:</b>	<b>CRI:</b> 70
		<b>CCT:</b> 5650K (cool white) 4300K (neutral white) Green Amber	
		<b>Battery</b>	
		<b>24W:</b>	3.6V 4Ah NiMH
		<b>34W:</b>	3.6V 10Ah NiMH
		<b>Expected Battery Life:</b>	4 years
		<b>Battery Duration:</b>	@ 25°C ambient - est. >3 hours
		<b>Surge protection:</b>	EN 61000-4-5 1kV line to line, 2kV line to ground

Comparison		
	Warranty	L70
Dialight LED Bulkhead	5yr	>100,000
Metal Halide	1	15,000
High Pressure Sodium	1	20,000
Fluorescent	1	24,000

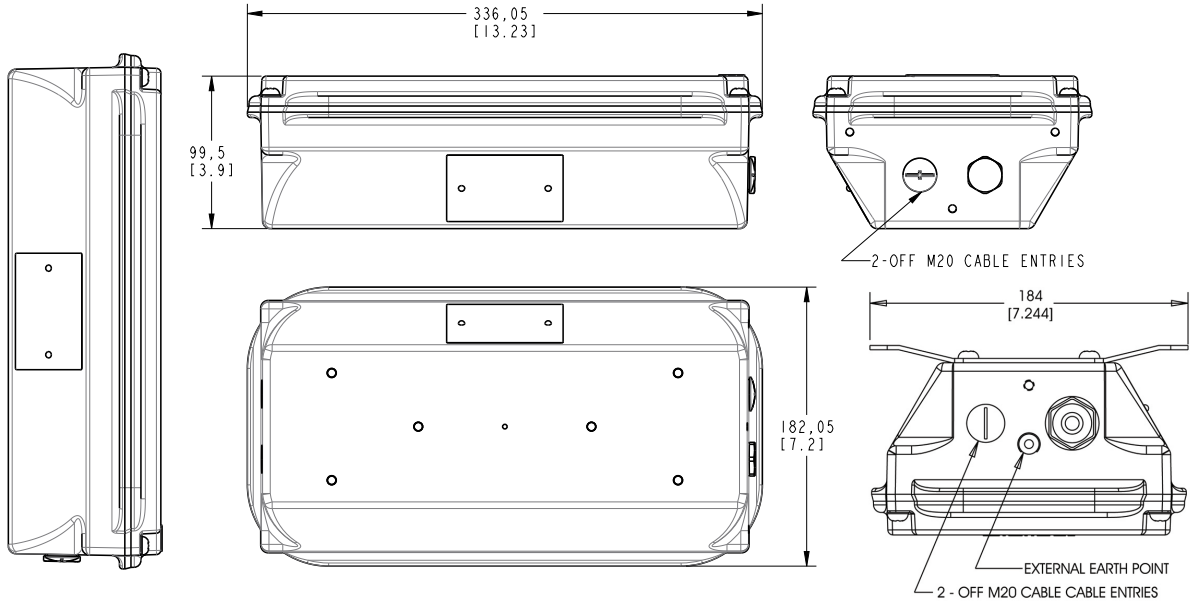
Standard Models			
Lumens	Wattage	lm/W	Mounting Heights
2,250	34	66	6m
1,200	22	55	3m

When ordering please refer our website [www.dialight.com](http://www.dialight.com) to view the current versions of all relevant product documentation, including the most up-to-date product data sheets. For the avoidance of doubt, in the event of any discrepancy between the contents of this document and information provided on our website, the information provided on our website shall prevail.

# DuroSite® LED Bulkhead/Shower Light - CE/UL

## Dimensional Drawings

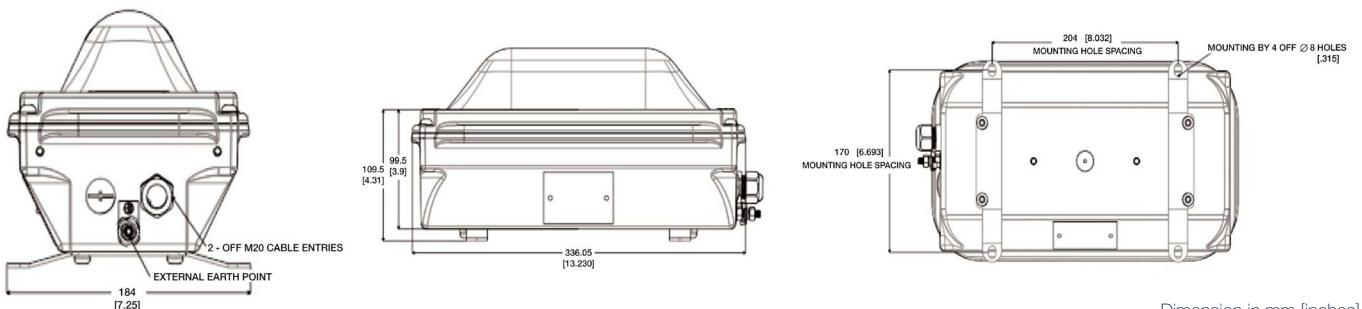
### Dimensions - Standard



Dimension in mm [inches]

\*2-off cable entries on shower models

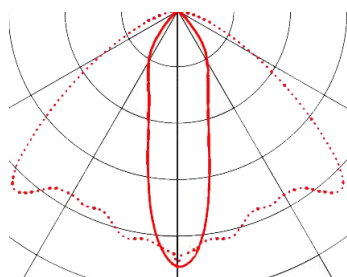
### Dimensions - Emergency Shower Safe Model



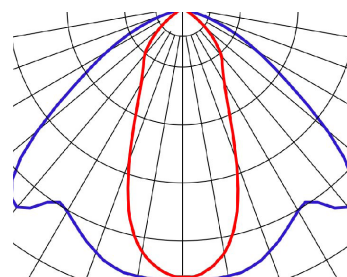
Dimension in mm [inches]

\*Shown with Flush mounting bracket

### Beam Distribution



Oval (55° x 35°)



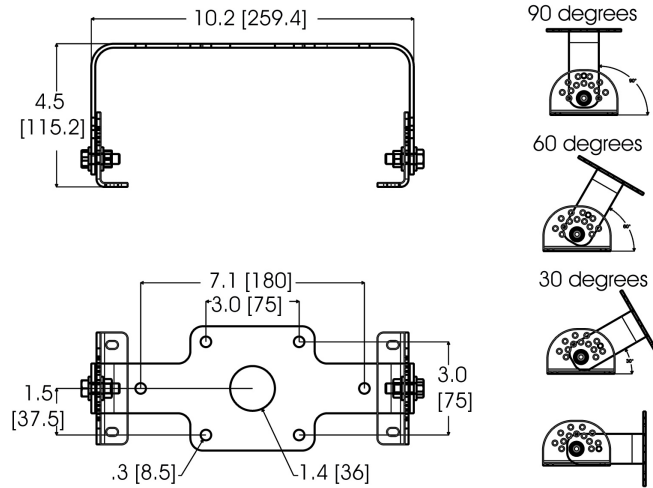
Oval (35° x 55°)

When ordering please refer our website [www.dialight.com](http://www.dialight.com) to view the current versions of all relevant product documentation, including the most up-to-date product data sheets. For the avoidance of doubt, in the event of any discrepancy between the contents of this document and information provided on our website, the information provided on our website shall prevail.

# DuroSite® LED Bulkhead/Shower Light - CE/UL

## Dimensional Drawings

WP-BRKT-SS-ADJ



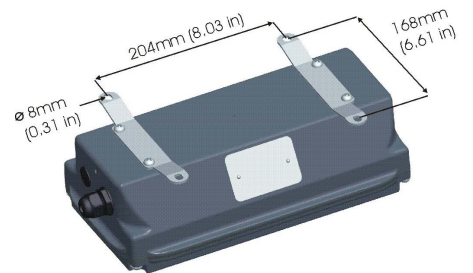
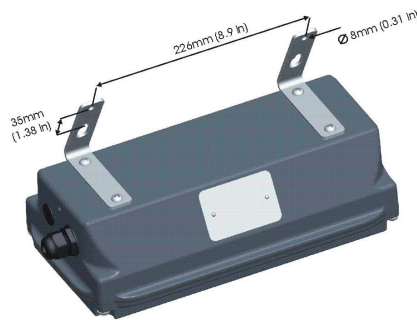
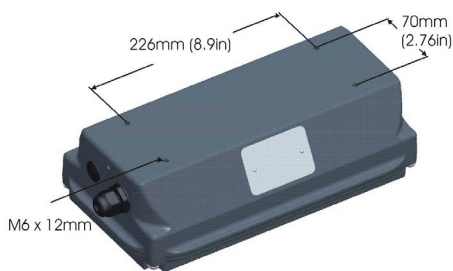
WP-STMB-LG00-XX



Without Bracket

30° Angle Bracket

Flush Bracket



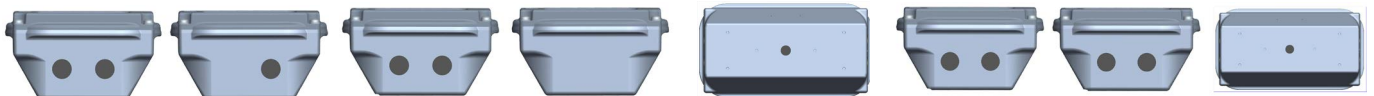
\*Holes are blank and blind

Standard Option

Remove last "E" from part code

Option "R"

Option "H"



2 Entries One Side, 1 Entry Opposite Side.

2 Entries One Side

Remove last **E** in the part code and replace with **R** 2 Entries One Side, 2 Entries Opposite Side and 1 Entry in the Rear. Replace last **E** in the part code with an **H**.

# DuroSite® LED Bulkhead/Shower Light - CE/UL

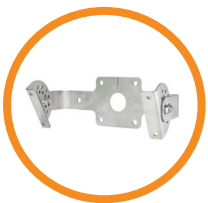
## Australia & Asia Order Codes

Current Part Number	Historic Part Number	Fixture Lumens	Wattage	lm/W	Voltage	Colour Temperature (CCT)	Lens	Beam Distribution
<b>Standard Models - 100-277 VAC</b>								
WP-4N3H-FLGCE	WP-4N3H-FLGC	1,150	22	52	100-277 VAC	4300K (neutral white)	Tempered glass	Oval (35° x 55°)
WP-5N3H-NLGCE	WP-5N3H-NLGC	1,150	22	52	100-277 VAC	4300K (neutral white)	Tempered glass	Oval (55° x 35°)
<b>WP-4N3L-FLGCE</b>	WP-4N3L-FLGC	2,125	34	63	100-277 VAC	4300K (neutral white)	Tempered glass	Oval (35° x 55°)
WP-4N3L-FLGFE	WP-4N3L-FLGC	2,000	34	60	100-277 VAC	4300K (neutral white)	Frosted glass	Diffused
<b>WP-5N3L-NLGCE</b>	WP-5N3L-NLGC	2,025	34	60	100-277 VAC	4300K (neutral white)	Tempered glass	Oval (55° x 35°)
<b>Emergency Models - 207-264 VAC</b>								
WE-4N4H-FLGCE	WE-4N4H-FLGC	1,150	24	48	207-264 VAC	4300K (neutral white)	Tempered glass	Oval (35° x 55°)
WE-5N4H-NLGCE	WE-5N4H-NLGC	1,150	24	48	207-264 VAC	4300K (neutral white)	Tempered glass	Oval (55° x 35°)
<b>WE-4N4L-FLGCE</b>	WE-4N4L-FLGC	2,125	36	59	207-264 VAC	4300K (neutral white)	Tempered glass	Oval (35° x 55°)
<b>WE-5N4L-NLGCE</b>	WE-5N4L-NLGC	2,025	36	56	207-264 VAC	4300K (neutral white)	Tempered glass	Oval (55° x 35°)
<b>Emergency Shower Safe Models - 230/240 VAC</b>								
<b>WE-0G4H-FLGD</b>	WE-0G4H-FLGD		24		230/240 VAC	Green	Polycarbonate dome	Diffused
<b>Amber Models</b>								
WP-5A3H-NLGCE	WP-5A3H-NLGC		24		100-277 VAC	Amber	Tempered glass	Oval (55° x 35°)
WE-5A4H-NLGCE	WE-5A4H-NLGC		24		207-264 VAC	Amber	Tempered glass	Oval (55° x 35°)

All values typical unless otherwise stated (tolerance +/- 10%).

Part numbers listed in **bold** are typically available in stock.

Part numbers listed in the table above are neutral white. For cool white models, replace the 4th character with a **C**.



### WP-BRKT-SS-ADJ

- 316 stainless steel adjustable bracket
- Includes self-tapping screws



### WP-STMB-LG00-10

- Non-threaded 50mm bore straight stanchion mounting bracket



### WPX-000799-BATT

- 4Ah 3.6V battery module for 22W
- Replacement battery kit
- Battery Backup models



### WP-BRKT-LG-PF

- Pipe and flush bracket
- Includes self-tapping screws



### WP-STMB-LG25

- Non-threaded 50mm 25° stanchion mounting bracket



### WP-STMB-LG85-50

- Non-threaded bore 34mm diameter

## Also available:

### WP-BRKT-F-KIT

- Flush mounting brackets
- Bracket to fixture hardware
- Includes (2) brackets in 304 stainless steel and stainless mounting hardware

### WP-BRKT-SS-30

- 30° angle mounting brackets
- Bracket to fixture hardware
- Includes (2) brackets in 304 stainless steel and stainless mounting hardware

When ordering please refer our website [www.dialight.com](http://www.dialight.com) to view the current versions of all relevant product documentation, including the most up-to-date product data sheets.

For the avoidance of doubt, in the event of any discrepancy between the contents of this document and information provided on our website, the information provided on our website shall prevail.