

# SafeSite® LED Bulkhead - IECEx/ATEX, UL

## Technical Specifications



### Ratings and Certifications

- 5 year warranty
- IP66 / 67
- IK09
- Amber models available
- Emergency models available
- IECEx / ATEX Zones 1, 21
- IECEx / ATEX Zones 2, 22
- ABS
- CE

\*All features not available on every model. Please refer to product part number pages for model specifics.

### Mechanical Information

<b>Fixture weight:</b>	
Standard & Amber Models	
<b>22W/34W:</b>	4.5 kg (10 lb)
Emergency Models	
<b>24W/36W:</b>	5.4 kg (12 lb)
<b>Cable Entries:</b>	All cable entries are drilled and tapped M20 (standard)
<b>Terminals:</b>	0.5-4mm <sup>2</sup> x 3 via integrated junction box

### Specifications

<b>Voltage options:</b>		<b>Housing:</b>	Copper-free aluminium
Standard & Amber Models		<b>Power factor:</b>	>0.9
<b>22W:</b>	100-277 VAC or 24-48 VDC	<b>THD:</b>	<20%
<b>34W:</b>	100-277 VAC	<b>Lens (High impact resistant glass):</b>	Clear glass
Emergency Models			Frosted glass
<b>24W:</b>	90-132 VAC or 207-264 VAC	<b>CRI:</b>	70
<b>36W:</b>	207-264 VAC	<b>CCT:</b>	5650K (cool white)
<b>Operating temp:</b>			4300K (neutral white)
Standard & Amber Models			Amber
Emergency Models		Emergency Models	
<b>22W:</b>	-40°C to +60°C	<b>Battery</b>	
<b>34W:</b>	-40°C to +50°C	<b>24W:</b>	3.6V 4Ah NiMH
Emergency Models		<b>34W:</b>	3.6V 10Ah NiMH
<b>24W:</b>	-0°C to +50°C (-20°C options available)	<b>Expected Battery Life:</b>	4 years
<b>34W:</b>	-0°C to +40°C (-20°C options available)	<b>Battery Duration:</b>	@ 25°C ambient - est. >3 hours
<b>Surge protection:</b>	EN 61000-4-5 1kV line to line, 2kV line to ground		

### Comparison

	Warranty	L70
Dialight LED Bulkhead	5yr	>100,000
Metal Halide	1	15,000
High Pressure Sodium	1	20,000
Fluorescent	1	24,000

### Standard Models

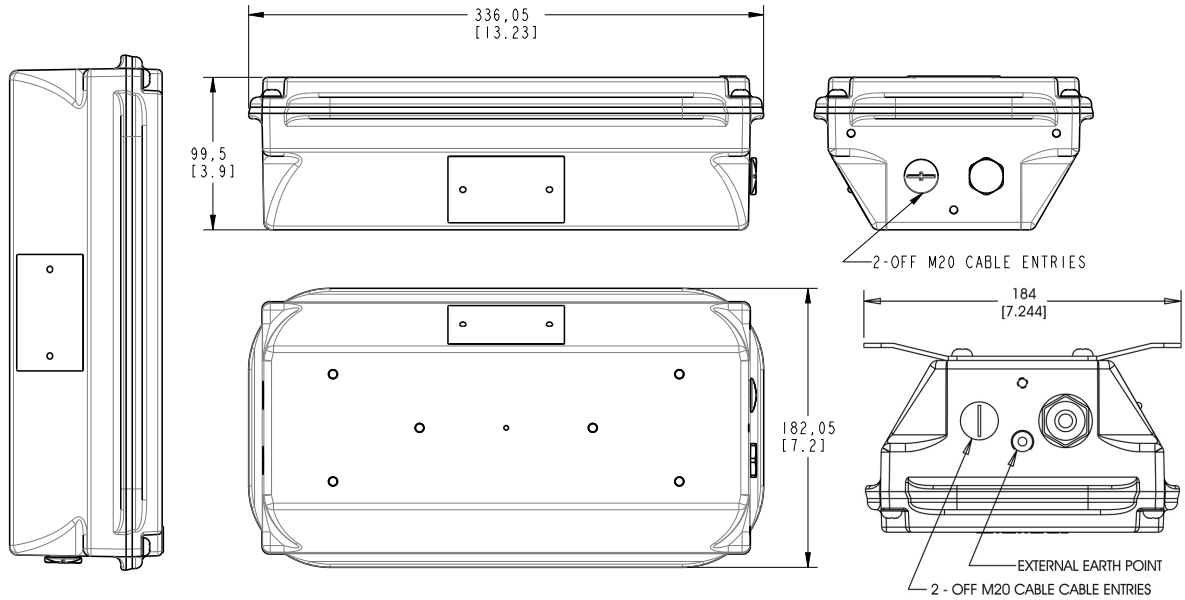
Lumens	Wattage	lm/W	Mounting Heights
2,150	34	63	6m
1,200	22	55	3m

When ordering please refer our website [www.dialight.com](http://www.dialight.com) to view the current versions of all relevant product documentation, including the most up-to-date product data sheets. For the avoidance of doubt, in the event of any discrepancy between the contents of this document and information provided on our website, the information provided on our website shall prevail.

# SafeSite® LED Bulkhead - IECEx/ATEX, UL

## Dimensional Drawings

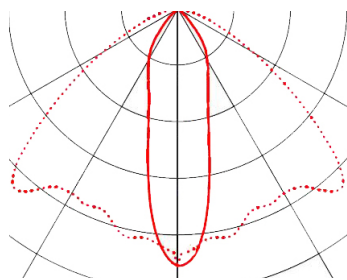
### Dimensions - Standard



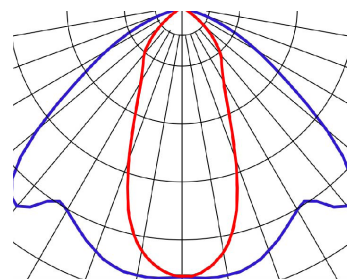
Dimension in mm [inches]

\*2-off cable entries on shower models

### Beam Distribution



Oval (55° x 35°)

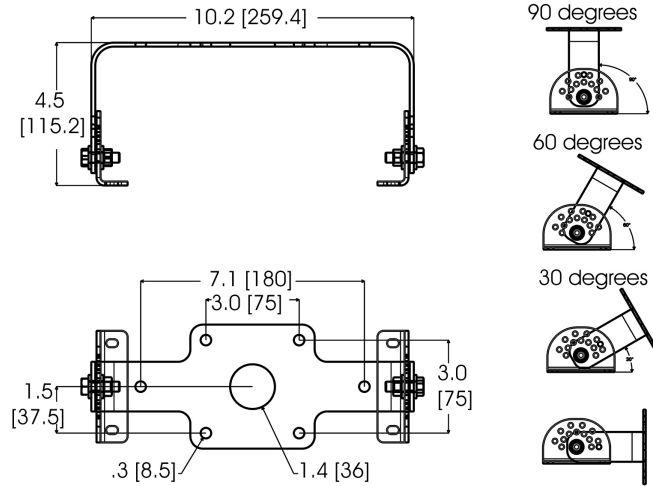


Oval (35° x 55°)

# SafeSite® LED Bulkhead - IECEx/ATEX, UL

## Dimensional Drawings

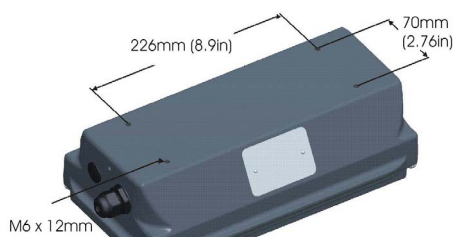
WP-BRKT-SS-ADJ



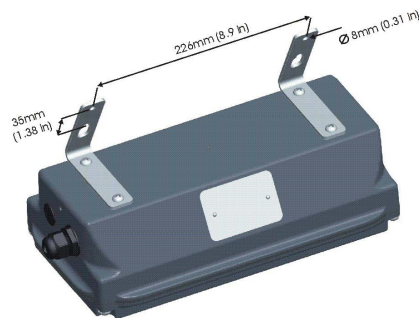
WP-STMB-LG00-XX



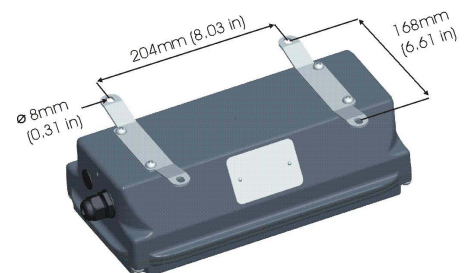
Without Bracket



30° Angle Bracket



Flush Bracket



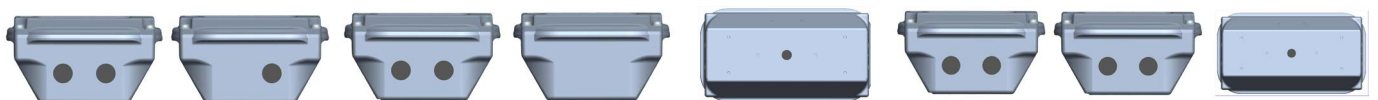
\*Holes are blank and blind

Standard Option

Remove last "E" from part code

Option "R"

Option "H"



2 Entries One Side, 1 Entry Opposite Side.

2 Entries One Side

Remove last **E** in the part code and replace with **R**

2 Entries One Side, 2 Entries Opposite Side and 1 Entry in the Rear. Replace last **E** in the part code with an **H**.

When ordering please refer our website [www.dialight.com](http://www.dialight.com) to view the current versions of all relevant product documentation, including the most up-to-date product data sheets. For the avoidance of doubt, in the event of any discrepancy between the contents of this document and information provided on our website, the information provided on our website shall prevail.

# SafeSite® LED Bulkhead - IECEx/ATEX, UL

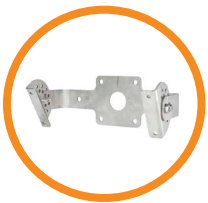
## Australia & Asia Order Codes

Current Part Number	Historic Part Number	Fixture Lumens	Wattage	lm/W	Voltage	Colour Temperature (CCT)	Lens	Beam Distribution
<b>Standard Models - 100-277 VAC</b>								
WPA-4N3H-FLGCE	WPA-4N3H-FLGC	1,150	22	52	100-277 VAC	4300K (neutral white)	Tempered glass	Oval (35° x 55°)
<b>WPA-4N3L-FLGCE</b>	WPA-4N3L-FLGC	2,125	34	63	100-277 VAC	4300K (neutral white)	Tempered glass	Oval (35° x 55°)
<b>WPA-5N3L-NLGCE</b>	WPA-5N3L-NLGC	2,025	34	60	100-277 VAC	4300K (neutral white)	Tempered glass	Oval (55° x 35°)
<b>Emergency Models - 207-264 VAC</b>								
WEA-4N4H-FLGCE	WEA-4N4H-FLGC	1,150	24	48	207-264 VAC	4300K (neutral white)	Tempered glass	Oval (35° x 55°)
WEA-5N4H-NLGCE	WEA-5N4H-NLGC	1,150	24	48	207-264 VAC	4300K (neutral white)	Tempered glass	Oval (55° x 35°)
<b>WEA-4N4L-FLGCE</b>	WEA-4N4L-FLGC	2,125	36	59	207-264 VAC	4300K (neutral white)	Tempered glass	Oval (35° x 55°)
<b>WEA-5N4L-NLGCE</b>	WEA-5N4L-NLGC	2,025	36	56	207-264 VAC	4300K (neutral white)	Tempered glass	Oval (55° x 35°)
<b>Amber Models</b>								
WPA-5A3H-NLGCE	WPA-5A3H-NLGC		24		100-277 VAC	Amber	Tempered glass	Oval (55° x 35°)
WEA-5A4H-NLGCE	WEA-5A4H-NLGC		24		207-264 VAC	Amber	Tempered glass	Oval (55° x 35°)

All values typical unless otherwise stated (tolerance +/- 10%).

Part numbers listed in **bold** are typically available in stock.

Part numbers listed in the table above are neutral white. For cool white models, replace the 5th character with a **C**.



### WP-BRKT-SS-ADJ

- 316 stainless steel adjustable bracket
- Includes self-tapping screws



### WP-STMB-LG00-10

- Non-threaded 50mm bore straight stanchion mounting bracket



### WPX-000799-BATT

- 4Ah 3.6V battery module for 22W model
- Replacement battery kit
- Battery backup models



### WP-BRKT-LG-PF

- Pipe and flush bracket
- Includes self-tapping screws



### WP-STMB-LG25

- Non-threaded 50mm 25° stanchion mounting bracket



### WP-STMB-LG85-50

- Non-threaded bore 34mm diameter

## Also available:

### WP-BRKT-F-KIT

- Flush mounting brackets
- Bracket to fixture hardware
- Includes (2) brackets in 304 stainless steel and stainless mounting hardware

### WP-BRKT-SS-30

- 30° angle mounting brackets
- Bracket to fixture hardware
- Includes (2) brackets in 304 stainless steel and stainless mounting hardware

When ordering please refer our website [www.dialight.com](http://www.dialight.com) to view the current versions of all relevant product documentation, including the most up-to-date product data sheets.

For the avoidance of doubt, in the event of any discrepancy between the contents of this document and information provided on our website, the information provided on our website shall prevail.