



On when  
it counts.



Patent Pending

### Certifications & Ratings

- ATEX Zones 1 & 21 and 2 & 22  
Certificate numbers: IECEx BAS 10.0051X  
Baseefa 10ATEX0092X
- CE Compliant to EN 55015-2006 & EN 61547
- ABS Assessed: # 11-LD678508-1-PDA
- Impact Rating to EN 50102: IK09
- IP66 rated
- RoHS compliant

### Features & Benefits

- L70 rated for >100,000 hours @ 25°C ambient
- 5 year warranty
- Emergency battery backup version available
- Emergency exit kit and other sign options available
- Sandblasting cover protector available
- Instant on/off operation
- Mercury free, lead free
- Resistant to shock and vibration
- Red and Green LED colour available upon request

### Mechanical Information:

**Fixture weight:** 11W & 22W - 8.8 kg (19 lb)  
34W - 10.4 kg (23 lb)

**Cabling:** Factory Installed 10 metre cable

### Electrical Specifications:

**Operating Voltage:** 11W & 22W - 100-277 VAC, 50/60 Hz  
or 24-48 VDC  
34W - 100-277 VAC, 50/60 Hz

**Total system power consumption:** See table

**Operating Temp:** See temperature rating table

**Harmonics:** IEC 61000-3-2

**Noise Requirements / EMC:** FCC Title 47, Subpart B, Section 15, class B device. RF Immunity; 10V/m, 80MHz-1GHz

**Transient protection:** 1kV line-to-line, 2kV line-to-ground

**THD:** <20%

**Power Factor:** > 0.9

### Construction:

**Housing:** Copper-free aluminium

**Finish:** Yellow epoxy powder coated (RAL 1018)

**Mounting Bracket:** 316 stainless steel

**Lens:** High impact resistant clear glass  
High impact resistant frosted glass

### Photometric Information:

**CRI:** 70

**CCT:** 4300K (neutral white)  
5650K (cool white)

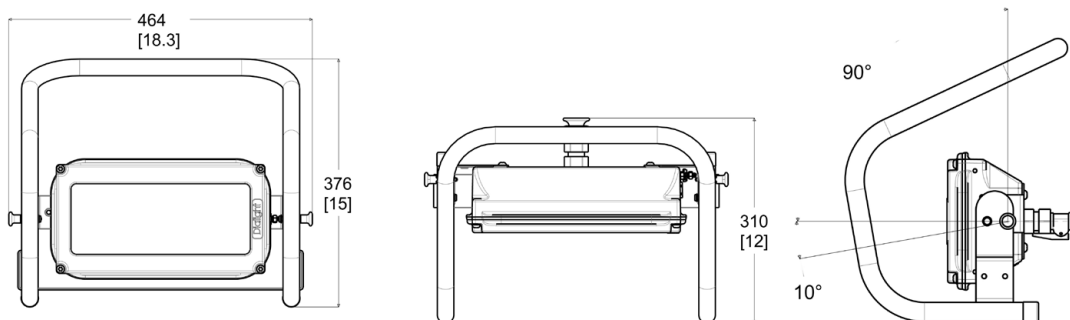
**IES Files:** see [www.dialight.com](http://www.dialight.com)

All values typical unless otherwise stated (tolerance +/- 10%)

### Temperature Ratings

	Ambient Temperature Range T5 Temperature Code	Ambient Temperature Range T6 Temperature Code
13W	-40°C to +60°C (-40°F to +140°F)	-40°C to +50°C (-40°F to +122°F)
24W	-40°C to +60°C (-40°F to +140°F)	-40°C to +50°C (-40°F to +122°F)
36W	-40°C to +50°C (-40°F to +122°F)	-40°C to +40°C (-40°F to +104°F)

### Bulkhead Dimensions



Dimensions are in mm [inches]

Part Number	Initial Fixture Lumens	Wattage	Lm/W	IP Rating	Voltage	Colour Temperature (CCT)	Lens	Light Distribution
TWA-2C3L-SYWC	2,250	34	66	IP66/67	100-277 VAC	5650K (cool white)	Clear Glass	Narrow
TWA-2N3L-SYWC	2,250	34	66	IP66/67	100-277 VAC	4300K (neutral white)	Clear Glass	Narrow
TWA-4C3L-SYWC	2,250	34	66	IP66/67	100-277 VAC	5650K (cool white)	Clear Glass	Oval (35° X 55°)
TWA-4N3L-SYWC	2,250	34	66	IP66/67	100-277 VAC	4300K (neutral white)	Clear Glass	Oval (35° X 55°)
<b>24-48 VDC</b>								
TWA-2C2H-SYWC	1,200	22	55	IP66/67	24-48 VDC	5650K (cool white)	Clear Glass	Narrow
TWA-2N2H-SYWC	1,200	22	55	IP66/67	24-48 VDC	4300K (neutral white)	Clear Glass	Narrow
TWA-4C2H-SYWC	1,200	22	55	IP66/67	24-48 VDC	5650K (cool white)	Clear Glass	Oval (35° X 55°)
TWA-4N2H-SYWC	1,200	22	55	IP66/67	24-48 VDC	4300K (neutral white)	Clear Glass	Oval (35° X 55°)

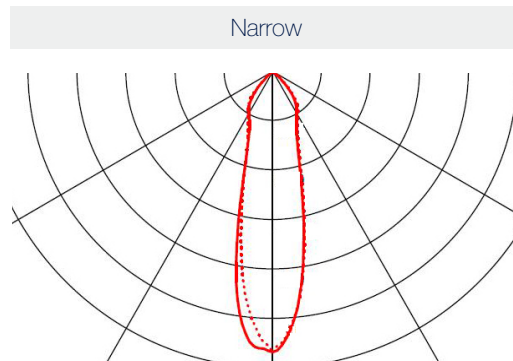
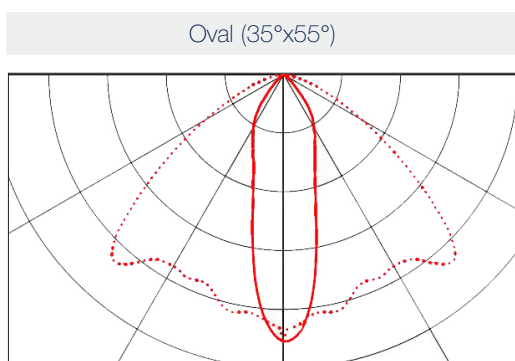
All values typical unless otherwise stated, Lumen values are typical (tolerance +/- 10%).

For frosted glass models replace the 12th character with an E TWA-2C3L-SYWC becomes TWA-2C3L-SYWE (Frosted lens option will reduce lumen output by 6%)



#### WP-CM-SB

- Sand blast shield



## North American HQ

1501 Route 34 South  
Farmingdale, NJ 07727  
Tel: 732-919-3119  
Fax: 732-751-5778  
info@dialight.com

## EMEA Technical Centre

Ejby Industrivej 91 B  
200 Glostrup  
Tel: +45 8877 4545 (Denmark)  
Tel: +44 1638 666541 (UK)  
Tel: +49 89 12089 5713 (Germany)  
Tel: +33 3 23 22 62 58 (France)  
sales-europe@dialight.com

## Houston

16830 Barker Springs Rd  
Ste 407  
Houston, TX 77084  
Tel: 732-919-3119  
Faz: 281-492-1531  
info@dialight.com

## Middle East

Level 42  
Emirates Towers (Office Tower)  
Sheikh Zayed Road  
Dubai, United Arab Emirates  
Fax: +971 (0) 4319 7686  
Tel: +971 (0) 4319 7686

## Australia

38 O'Malley Street  
Osborne Park, WA 6017  
Tel: +61 (0) 8 9244 7600  
Fax: +61 (0) 8 9244 7601  
info@dialight.com.au

## Southeast Asia

33 Ubi Avenue 3  
#07-72 Vertex (Tower A)  
Singapore 408868  
Tel: +65 6578 7157  
Fax: +65 6578 7150  
enquiry@dialight.com.sg

## Brazil

Alameda Mercurio,  
225 – American Park Empresarial NR  
Indaiatuba – SP – 13347– 662  
Tel: +55 (19) 3113-4300  
Fax: +55 (19) 3113-4300  
brasil@dialight.com

ALL VALUES ARE DESIGN OR TYPICAL VALUES WHEN MEASURED UNDER LABORATORY CONDITIONS. THE LIGHTING EFFICIENCY STATEMENTS CONTAINED HEREIN ARE CALCULATED ON A LUMEN PER WATTS BASIS WHEN COMPARING FIXTURES WITH SIMILAR FEATURES. ALL INFORMATION PROVIDED IS ACCURATE AS OF THE DATE OF PUBLICATION, IS SUBJECT TO CHANGE WITHOUT NOTICE AND DOES NOT FORM PART OF ANY CONTRACT WITH DIALIGHT. DIALIGHT DOES NOT WARRANT OR REPRESENT THAT ITS PRODUCTS ARE FIT FOR ANY PARTICULAR PURPOSE AND HAS NO RESPONSIBILITY FOR THE [INAPPROPRIATE/UNAUTHORISED/NON-APPROVED] USE OF ANY DIALIGHT PRODUCTS BY THE END USER.

Dialight reserves the right to make changes at any time in order to supply the best product possible.

The most current version of this document will always be available at: [www.dialight.com](http://www.dialight.com)