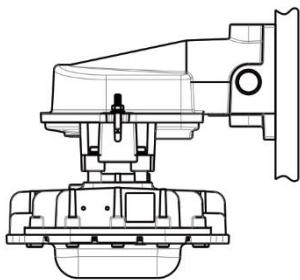


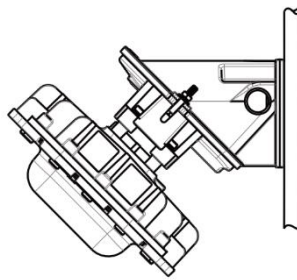
Important Information:

These instructions contain safety information, read and follow them carefully. Dialight will not accept any responsibility for injury, damage or loss which may occur due to incorrect installation, operation or maintenance.

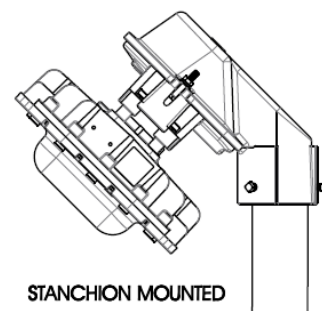
Operating Instructions



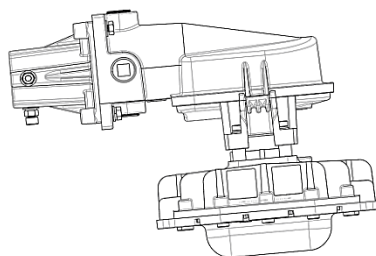
0 DEGREE WALL MOUNTED



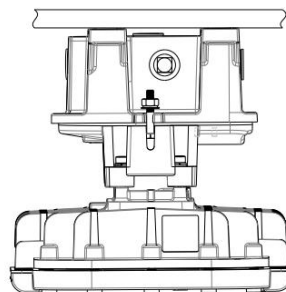
45 DEGREE WALL MOUNTED



STANCHION MOUNTED



CONVEYOR AREA LIGHT



FLUSH MOUNT

Languages

English

Note: Save these instructions for future use

WARNING: INSTALLATION & SECONDARY RETENTION. The use of this product without proper installation and inspections, including secondary safety retention/securing/netting, could cause severe injury or death. Dialight recommends that all installations should use secondary retention and/or safety netting (appropriate to the installation environment) where applicable. It is the exclusive responsibility of the contractor, installer and/or end customer to: (a) determine the suitability of the product for its intended application; and, (b) ensure that the product is installed safely (with secondary retention and/or safety netting where appropriate) and in compliance with all applicable laws and regulations. To the extent permissible under the relevant law, Dialight disclaims all responsibility for personal injury and/or other damage resulting from any dislodgement or other dislocation of this product.

ADVERTENCIA: INSTALACIÓN Y SISTEMA SECUNDARIO DE SUJECIÓN. Usar este producto sin haberlo instalado e inspeccionado correctamente, lo que incluye usar sistemas secundarios de retención/sujeción/redes, podría ocasionar lesiones graves o la muerte. Dialight recomienda que en todas las instalaciones se utilice un sistema secundario de retención o una red de seguridad (apropiados para el lugar de la instalación), según corresponda. Será responsabilidad exclusiva del contratista, el instalador o el cliente final encargarse de lo siguiente: a) determinar si el producto es apto para el uso previsto; y b) asegurarse de que el producto se instale de manera segura (usando un sistema secundario de retención o una red de seguridad, si corresponde) y de conformidad con todas las leyes y disposiciones aplicables. En la máxima medida autorizada por la legislación pertinente, Dialight no será responsable por ninguna lesión personal u otros daños que se produzcan a raíz de cualquier caída o desplazamiento de este producto.

AVISO: INSTALAÇÃO E RETENÇÃO SECUNDÁRIA. O uso deste produto sem a instalação e inspeções adequadas, incluindo retenção/fixação secundárias e/ou redes de segurança, pode provocar ferimentos sérios ou morte. A Dialight recomenda que todas as instalações utilizem retenção secundária e/ou redes de segurança (apropriadas ao ambiente da instalação) sempre que aplicável. É responsabilidade exclusiva da empreiteira, instaladora e/ou do cliente final: (a) determinar a adequabilidade deste produto para a aplicação pretendida; e, (b) assegurar que o produto seja instalado de maneira segura (com retenção secundária e/ou rede de segurança sempre que apropriado) e em conformidade com todas as leis e regulamentações aplicáveis. Dentro dos limites permitidos pela legislação pertinente, a Dialight se exime de toda responsabilidade por ferimentos pessoais e/ou outros danos resultantes do desalojamento ou de outro deslocamento deste produto.

AVERTISSEMENT : INSTALLATION ET FIXATION SECONDAIRE. L'utilisation de ce produit sans une installation et des inspections en bonne et due forme, notamment la sécurisation/ la fixation de sécurité secondaires/ l'installation d'une grille en acier tissée de sécurité, peut entraîner des blessures graves voire la mort. Dialight recommande que toutes les installations soient pourvues d'une fixation secondaire ou d'une grille en acier tissée de sécurité (adaptées à l'environnement de l'installation) dans la mesure du possible. Il va de la responsabilité exclusive de l'entrepreneur, de l'installateur ou du client final de : (a) déterminer si le produit est adapté à son usage prévu et (b) assurer que le produit est installé de manière sûre (avec une fixation secondaire et/ou une grille en acier tissée de sécurité le cas échéant) et en conformité avec la loi et les normes en vigueur. Dans la mesure permise par la loi en vigueur, Dialight n'assumera aucune responsabilité en cas de blessure sur la personne ou autre dommage résultant du déboîtement ou de toute autre dislocation de ce produit.

WARNUNG: INSTALLATION UND ZWEITE ABHÄNGUNG. Die Verwendung dieses Produkts ohne ordnungsgemäße Installation und Inspektionen, einschließlich einer zweiten Abhängung/eines Sicherheitsnetzes, könnte zu schweren Verletzungen oder Tod führen. Dialight empfiehlt bei allen Installationen die Verwendung einer zweiten Abhängung und/oder eines Sicherheitsnetzes (entsprechend der Installationsumgebung). Es ist die ausschließliche Verantwortlichkeit des Vertragsnehmers, Monteurs und/oder Endkunden: (a) die Eignung des Produkts für seinen vorgesehenen Nutzungszweck zu bestimmen und (b) sicherzustellen, dass das Produkt sicher (mit ggf. zweiter Abhängung und/oder einem Sicherheitsnetz) und gemäß allen geltenden Gesetzen und Vorschriften montiert wird. Soweit gemäß dem geltenden Gesetz erlaubt, schließt Dialight jegliche Haftung für Körperverletzung und/oder andere Schäden aufgrund einer Entfernung oder anderen Positionsänderung dieses Produkts aus.

Safety Instruction:

- To avoid the risk of fire, explosion, or electric shock, this product should be installed, inspected, and maintained by a qualified electrician only, in accordance with all applicable electrical codes.
- Be certain electrical power is OFF before and during installation and maintenance.
- Luminaire must be connected to a wiring system with an equipment-grounding conductor.
- Make sure the supply voltage is within the luminaires' voltage rating.
- Ensure the marked T Rating is less than the ignition temperature of the Hazardous Atmosphere.
- Do not operate in ambient temperatures above those indicated on the luminaire nameplate.
- Do not operate if the lens is cracked or damaged. All fasteners should be properly seated.
- Do not let power cord touch hot surfaces
- Do not mount near gas or electric heaters
- Equipment should be mounted in locations and at heights where it will not be subjected to tampering by unauthorized personnel.
- The use of accessory equipment not recommend by the manufacture may cause an unsafe condition
- DO NOT use this equipment for other than intended use
- The technical data indicated on the Luminaire are to be observed.
- Changes to the design and modifications of the Luminaire are not permitted
- Only genuine Dialight replacement parts are to be used when unforeseen maintenance is required
- Must install using NEMA 4x rated components to maintain rating
- Do not remove or tamper with cable gland. The gland has been supplied and installed to the luminaire accordance with the manufacturer's instructions.
- Substitution of components may impair suitability for certification of the luminaire.

Introduction

This Area Light series luminaire is designed for illumination of hazardous locations. It uses the latest in solid state lighting technology for long life, low maintenance, and high efficiency.

The unique optical design focuses light downward to where it is needed, giving improved efficiency over a conventional HID luminaire.

100-277 VAC

An internal power-factor-corrected supply allows it to be used from any nominal 100V-277V, 60/50Hz single phase AC supply without any variation in light output.

When using 208V (two 120V phases), connect the black wire to one phase and the white wire to the other phase. Since the light fixture does not have an internal fuse in-line with the white wire (normally the Neutral) a fuse may be connected in series with it if required.

347-480 VAC

An internal power-factor-corrected supply allows it to be used from any nominal 347V-480V, 60/50Hz AC supply without any variation in light output.

24-48 VDC

An internal power supply allows it to be used from any nominal 24-48VDC supply without any variation in light output.

Installation

These instructions contain important safety information, read and follow them carefully. Dialight will not accept any responsibility for injury, damage or loss which may occur due to incorrect installation, operation or maintenance.

Ensure that the mains voltage supply is disconnected before connecting the luminaire. Install the equipment in accordance with the manufacturer's instructions as well as any other applicable electric codes.

Always transport and store the equipment in its original packaging and keep in a dry location. When unpacking check for any cracks or damage in the housing, glass, and glass frame. If in doubt, do not install.

For supply connections use wire rated for at least:
 90°C for 100-277V AC units
 110°C for 347-480V AC units
 90°C for 24-48V DC units

The Area Light series luminaire are factory supplied with 10feet (3meters) of cable. If longer lengths of cables are required a minimum of 18awg (1.5mm diameter) is required.

It is recommended that to ensure moisture does not flow through the cable a loop in the cord should be implemented where possible during installation. If this is not practical for the install than necessary precautions should be taken to prevent moisture entering the conduit thus entering the fixture.

Recommended mounting height:
 8 feet to 24 feet (2.4 m to 7.3 m)

The cable glands used with this fixture must be certified to the IP requirements. The cable used must be suitable for the site application and/or the site requirements.

When assembling the cable entries for the mains connection, always observe the manufacturer's specifications for the glands used. Unused cable entries must be closed and sealed by a certified blanking plug.

NOTE: Improper installation and operation of this luminaire may invalidate the warranty

Further Information

All other information should be obtained from the primary instruction manual provided with your model. This instruction manual details models sold mounting options built in and covers the procedures to install such units.

NOTE: All wiring and technical information will be contained in the primary instruction manual provided with this manual.

Technical Data

Temperature
 -40°F to +149°F [-40°C to +65°C]

Housing Material
 Powder Coated Aluminum

Finish
 Epoxy Powder Coat
 Gray, RAL 7040
 ACP Black, RAL 9017
 Orange, RAL 2001
 White, RAL 9010
 Yellow, RAL 1018
 Bronze, RAL 7022

Dimensions

| | |
|----------------|---------------|
| 0° Wall Mount | See Figure 24 |
| 45° Wall Mount | See Figure 25 |
| 45° Stanchion | See Figure 26 |
| Conveyor | See Figure 27 |
| Flush Mount | See Figure 28 |

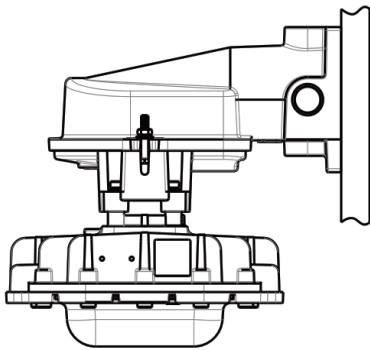
| Weight | [lbs.] | [kg] |
|----------------|---------------|-------------|
| 0° Wall Mount | 15.0 | 6.8 |
| 45° Wall Mount | 14.2 | 6.4 |
| 45° Stanchion | 14.8 | 6.7 |
| Conveyor | 16.5 | 7.5 |
| Flush Mount | 13.6 | 6.2 |

Connections

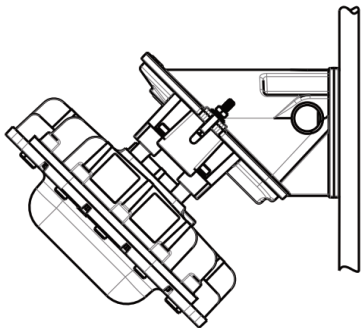
| | |
|---------------|--|
| Wall Mounts | ¾"-14 NPT ports (five total) |
| 45° Stanchion | 2"-11.5 NPT port (1.5"-11.5 NPT with reducer) |
| Conveyor | DN 25 [33.7mm]OD 0.114in [2.9mm] min. wall thickness |
| Flush Mount | ¾"-14 NPT ports (five total) |



Wall Mount Installation



0 DEGREE WALL MOUNTED



45 DEGREE WALL MOUNTED

NOTE: Wall Mount Fixtures are to be mounted to vertical surfaces structurally adequate to support the fixture in a safe manner. All 5 conduit connection ports are 3/4-14 NPT. The 0° Wall Mount shown in all figures below. All steps also apply to the 45° Wall Mount.

Assure electrical power is OFF.

Mark and drill 4 holes of the appropriate size and depth to accept 5/16 (or M8) diameter threaded fasteners. (not supplied) Spacing per Figure 1.

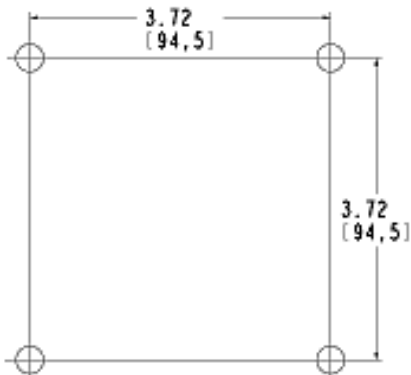


Figure 1 - Required Wall Hole Pattern

Separate the Wall Mount from the fixture assembly by loosening the single 1/4-20 nut and swing the bolt free (do not remove the nut.) Rotate the Wall mount until it freely separates from the fixture. See Figure 2 and Figure 3.

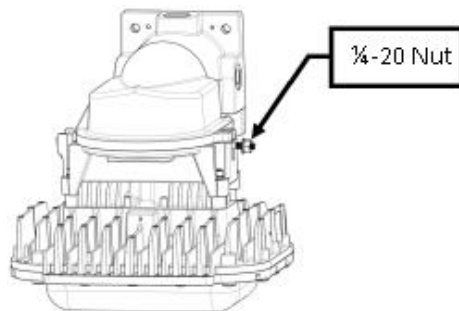


Figure 2 - Loosen & Rotate 1/4-20 Nut

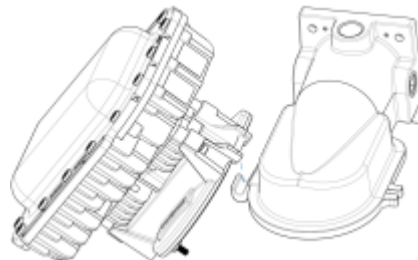


Figure 3 - Separate Wall Mount from Fixture

Firmly secure the Wall Mount to the wall surface using four 5/16 or M8 diameter fasteners with the appropriate anchoring system. Fastener hardware not provided. See Figure 4

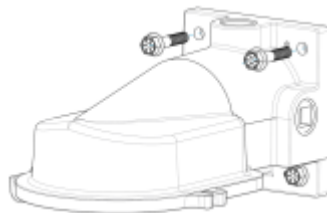


Figure 4 - Anchor Wall Mount to Wall

Attach 3/4-14 NPT threaded conduit into the required ports and bring the electrical wiring into the Wall Mount. All conduit connections and unused 3/4-14 NPT ports must be environmentally sealed. Un-used ports are closed using the NPT threaded plugs provided or equivalent.

NOTE: The Wall Mount is supplied with 5 conduit entries top, bottom, left, right and rear. The top conduit entry port is open (no NPT plug). If this port not used assure it is environmental sealed using a proper 3/4-14 NPT plug.

Make all wire connections per wiring section in primary instruction manual provided.

Rotate fixture shut. Swing 1/4-20 bolt into place and tighten nut to seal assembly shut. Torque 1/4-20 not to 4 f.t.lbs. [5.4 N-m]. See Figure 5.

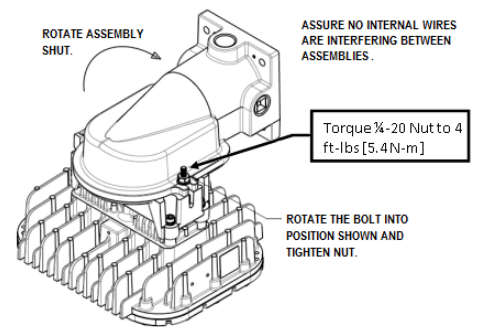


Figure 5 - Close & Torque 1/4-20 Nut

WARNING:

When closing the assembly, assure that the red colored o-ring is properly seated and there are no wires or objects interfering with the o-ring seal or sealing surfaces.

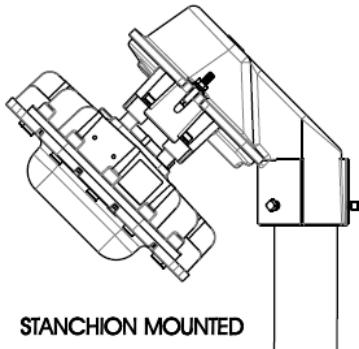
Restore power and verify operation.

WARNING:

Prior to restoring power, assure that all unused 3/4"-14 ports are properly plugged.



45° Stanchion Mount



NOTE: The 45° Stanchion Mount fixture is intended to be mounted to 2" x 11-1/2 NPT threaded vertical pole sealed to the proper IPXX rating for the application. Use the appropriate NPT threaded reducing bushing to adapter a stanchion Mount fixture to a 1.5" x 11-1/2 NPT threaded pole.

Assure the electrical power is OFF.

Loosen and back off 1/4-20 nut. Do not remove nut. Rotate bolt and separate the Stanchion Mount from the Light Fixture assembly. See Figure 6 and Figure 7.

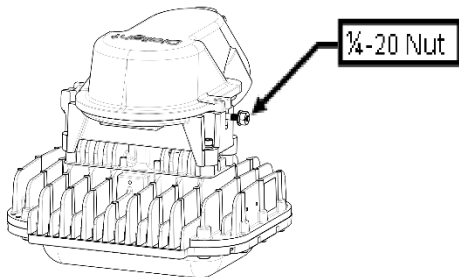


Figure 6 - Loosen & Rotate Bolt Clear

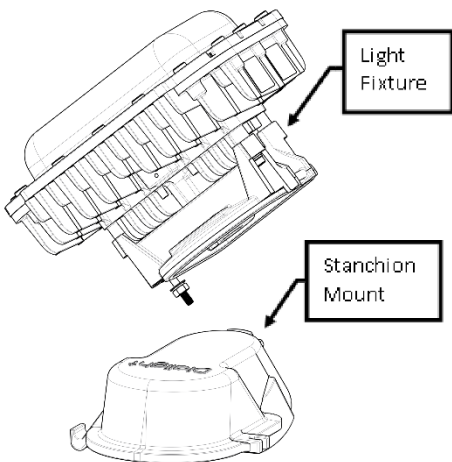


Figure 7 - Separate Stanchion Mount from Light Fixture

Back off 5/16-18 screw provided such that it will not interfere with the attachment operation. Firmly thread the

Stanchion Mount to the 2X11.5 NPT threaded pole. Properly engage the threads and turn the Stanchion Mount by hand until tight. Continue tightening using a wrench until the proper orientation is achieved. Torque the 5/16-18 screw to 10 ft-lbs [14 N-m]. If attaching to a 1.5x11.5 NPT threaded pole attach the reducer bushing to the pole first. See Figure 8 and Figure 9.

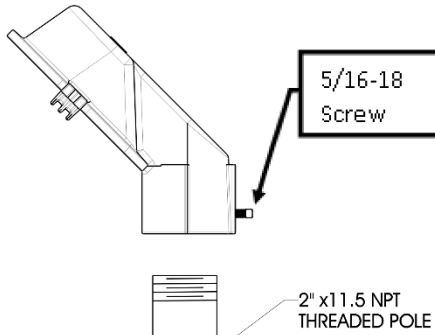


Figure 8 - 2" x 11.5 NPT Threaded Pole

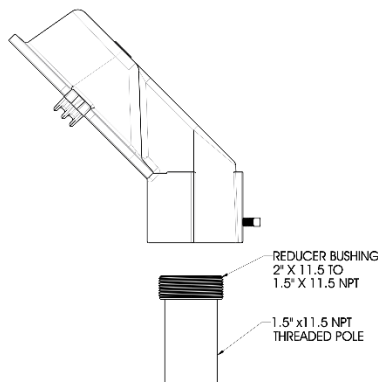


Figure 9 - 1.5" x 11.5 NPT Reducer Bushing

Hang the Light Fixture on the Stanchion Mount and prepare for electrical wiring.



Figure 10 - Hang Light Fixture onto Stanchion Mount

Make all wire connections per wiring section in primary instruction manual provided.

WARNING:
When closing the assembly, assure that the red colored

o-ring is properly seated and there are no wires or objects interfering with the o-ring seal or sealing surfaces.

Rotate the fixture shut, assure no object is interfering with the o-ring seal or sealing surfaces. Swing 1/4-20 bolt into place and tighten nut to seal assembly shut. Torque 1/4-20 nut to 4 ft.-lbs. [5.4 N-m]. Then Torque the 5/16-18 screw to 10 ft.-lbs. [14 N-m]. See Figure 11.

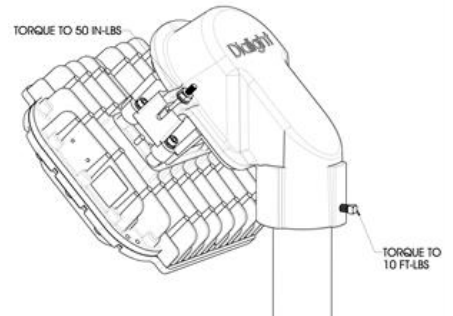
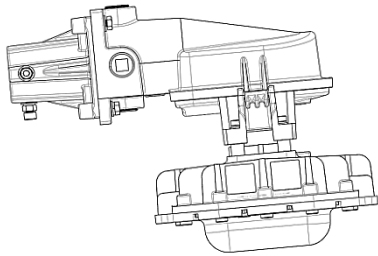


Figure 11 - Screw to Torque

Restore power and verify operation.

Conveyor Area Light



CONVEYOR AREA LIGHT

The Conveyor Area Light is designed to mount to a DN25 (33.7mm) diameter pipe. It is the responsibility of the installer to assure the pipe, or any other structure being mounted too, is structurally suited to support the light fixture in a safe secure manner. The pipe entering the Conveyor Bracket must be environmentally sealed to the proper IP rating for the application. To help reduce the chance of ingress contaminants It is recommended the pipe be oriented such that there is a 5° pitch angle as shown.

NOTE: All views in this document are shown mounting to a SwivelPole™ LMK1101-40-HG or LMK1101-50-HG Luminaire Mount. The Luminaire Mount entering the Conveyor Bracket must be environmentally sealed to the proper IP rating or the application. SwivelPole™ is a registered trade mark of SwivelPole™.

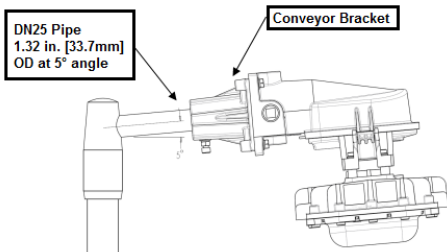


Figure 12 - Typical Pole Mounting

Assure the electrical power is OFF.

Loosen and back off ¼-20 nut. Do not remove nut. Rotate bolt and separate the Conveyor Bracket from the Light Fixture. Do not loosen any other fastener. See Figure 13 and Figure 14.

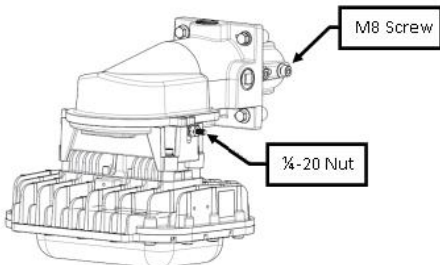


Figure 13 - Loosen & Rotate Bolt Clear

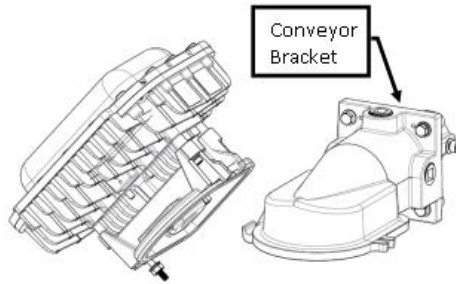


Figure 14 - Separate Conveyor Bracket from Light Fixture

Back off the two M8 screws provided such that they will not interfere with the attachment operation.

Assure the red gasket is present and fully seated inside the Conveyor Bracket hole.

Feed the electrical wiring from the pole into the Conveyor Bracket.

Slide the Conveyor Bracket onto a suitable pipe or SwivelPole™ until contact with the gasket has been made. Apply approximately 15 lbs. [6.8 kg] force to compress the gasket adequately.

While compressing the gasket secure in place by torquing the M8 screws to 10 ft.-lbs. [13.5 N-m] then torque the hex nut to 10 ft.-lbs. [13.5 N-m] See Figure 15 and Figure 16.

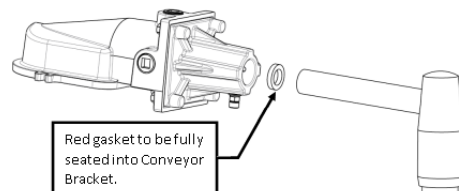


Figure 15 - Conveyor Bracket Mounting

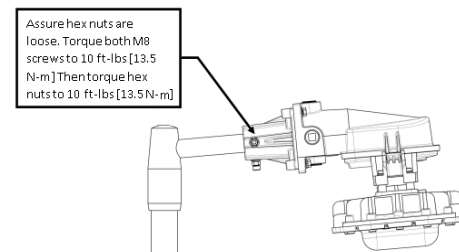


Figure 16 - Conveyor Bracket Attached to Pole

WARNING: It is the responsibility of the installer to assure pole entering the Conveyor Bracket is environmentally sealed to prevent moisture and contaminants from entering the Conveyor Bracket.

Hang the Light Fixture on the Conveyor Bracket. Prepare for electrical wiring.

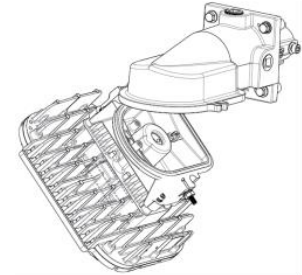


Figure 17 - Hanging Light Fixture

Make all wire connections per wiring section in primary instruction manual provided. If the fixture contains a terminal block make connections at the terminal block.

NOTE: Inspect and assure connections are made properly.

Assure the red o-ring seal is present and properly seated. Rotate fixture shut, Swing ¼-20 bolt into place and tighten nut to seal assembly shut. Torque ¼-20 nut to 4 ft.-lbs. See Figure 18

WARNING: When closing the assembly assure that the red colored o-ring is properly seated and there is no wires or object interfering with the o-ring seal or sealing surfaces.

Rotate fixture shut, assure no object is interfering with the o-ring seal or sealing surfaces. Swing ¼-20 bolt into place and tighten nut to seal assembly shut. Torque ¼-20 nut to 40 in.-lbs.

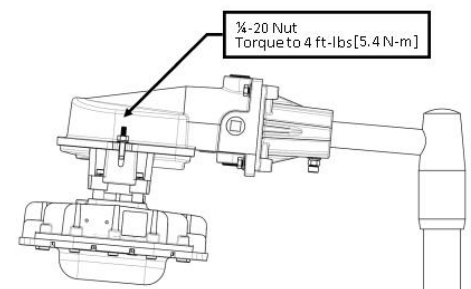
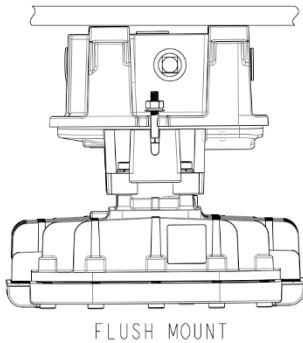


Figure 18 - Complete Installation

Restore power and verify operation.



Flush Mount Installation



NOTE: Flush Mount Fixtures are to be mounted to horizontal surfaces structurally adequate to support the fixture in a safe manner. All 5 conduit connection ports are 3/4-14 NPT.

Assure electrical power is OFF.

Mark and drill 4 holes of the appropriate size and depth to accept 3/8 (or M10) diameter threaded fasteners. (not supplied) Spacing per Figure 1.

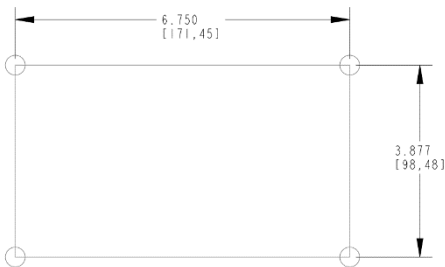


Figure 19 - Required Wall Hole Pattern

Separate the Flush Mount from the fixture assembly by loosening the single 1/4-20 nut and swing the bolt free (do not remove the nut.) Rotate the Flush mount until it freely separates from the fixture. See Figure 2 and Figure 3.

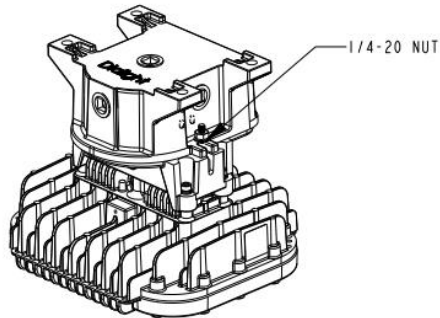


Figure 20 - Loosen & Rotate 1/4-20 Nut

Make all wire connections per wiring section in primary instruction manual provided.

Rotate fixture shut. Swing 1/4-20 bolt into place and tighten nut to seal assembly shut. Torque 1/4-20 not to 4 f.t-lbs. [5.4 N-m]. See Figure 5.

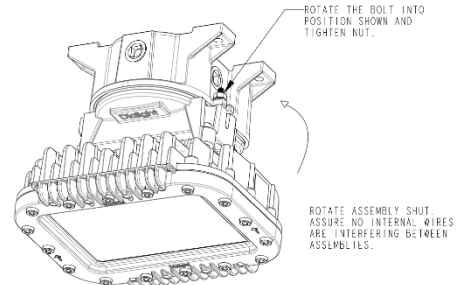


Figure 23 - Close & Torque 1/4-20 Nut

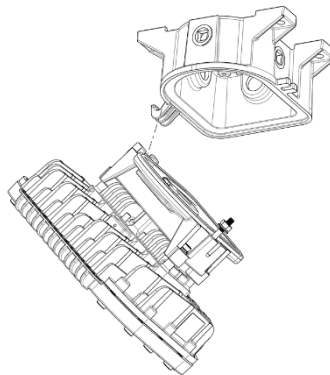


Figure 21 - Separate Flush Mount from Fixture

WARNING:

When closing the assembly, assure that the red colored O-ring is properly seated and there are no wires or objects interfering with the O-ring seal or sealing surfaces.

Restore power and verify operation.

WARNING:

Prior to restoring power, assure that all unused 3/4"-14 ports are properly plugged.

Firmly secure the Flush Mount to the ceiling surface using four 3/8 or M10 diameter fasteners with the appropriate anchoring system. Fastener hardware not provided. See Figure 4

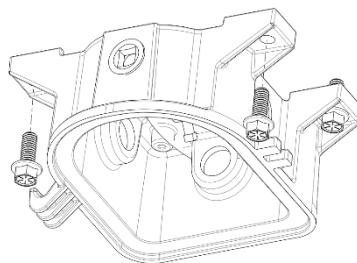


Figure 22 - Anchor Flush Mount to Ceiling

Attach 3/4-14 NPT threaded conduit into the required ports and bring the electrical wiring into the Flush Mount. All conduit connections and unused 3/4-14 NPT ports must be environmentally sealed. Un-used ports are closed using the NPT threaded plugs provided or equivalent.

NOTE: The Flush Mount is supplied with 5 conduit entries top, bottom, left, right and rear.



Technical Diagrams

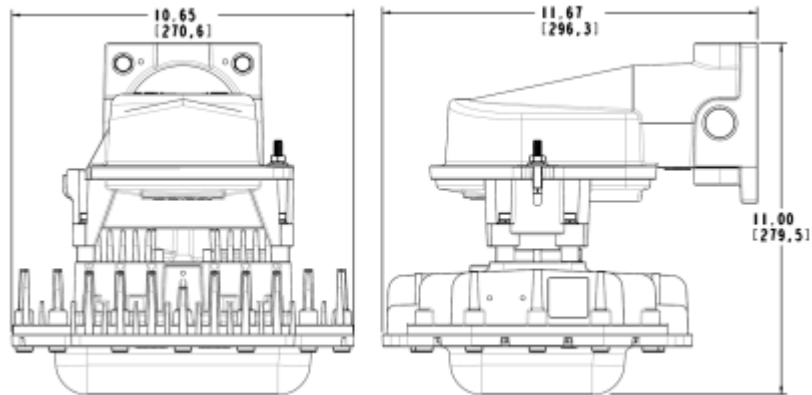


Figure 24 - 0° Wall Mount

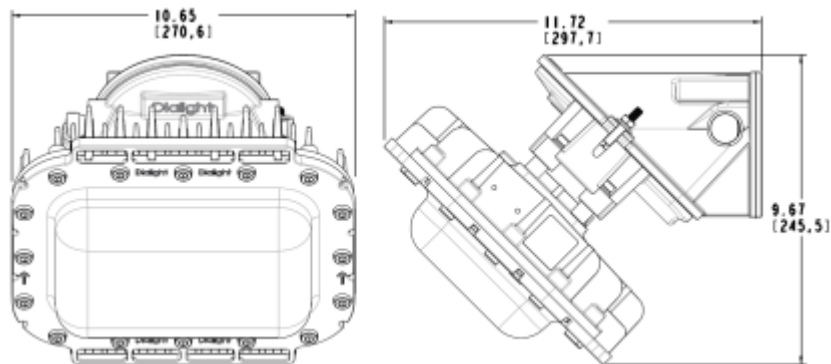


Figure 25 - 45° Wall Mount

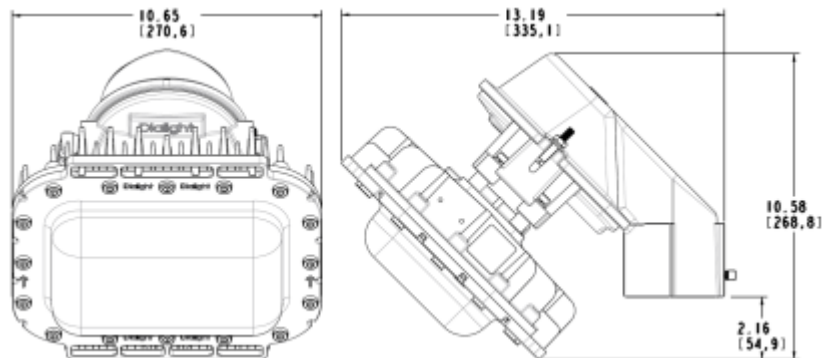


Figure 26 - 45° Stanchion Mount



Technical Diagrams (cont.)

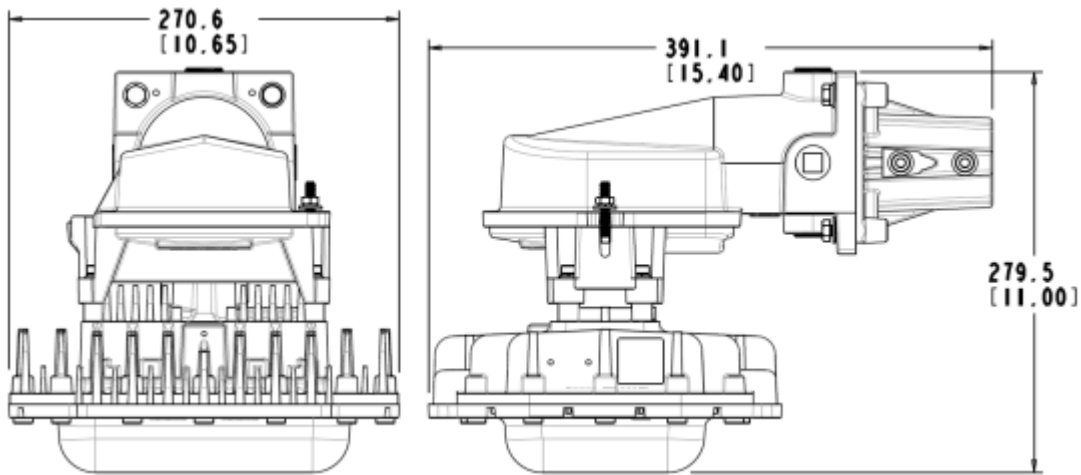


Figure 27 - Conveyor Area Light

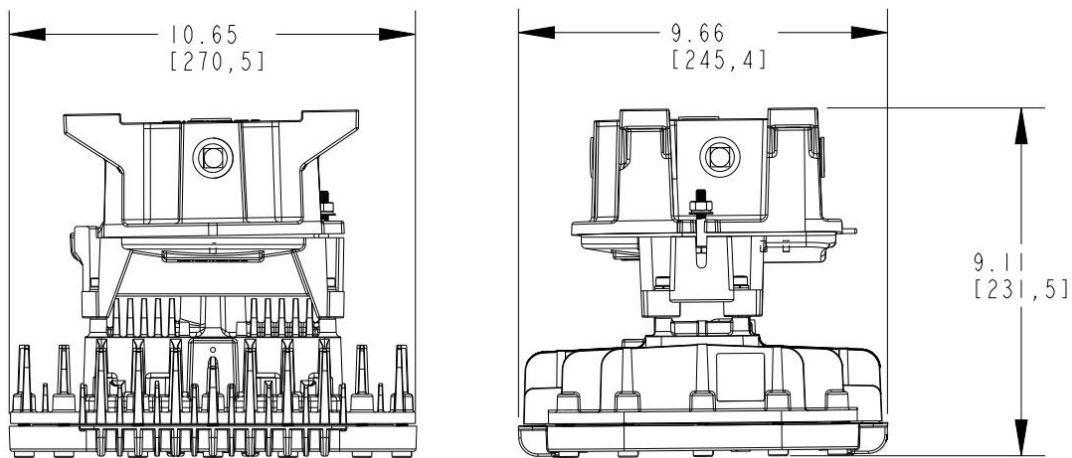


Figure 28 - Flush Mount Area Light

Official Statement

All statements, technical information, and recommendations contained herein are based on information and tests that Dialight believes to be reliable. The accuracy or completeness thereof is not guaranteed. In accordance with Dialight "Terms and Conditions of Sale" and since conditions of use are outside our control, the purchaser should determine the suitability of the product for his or her intended use and assumes all risk and liability whatsoever in connection therewith.

