

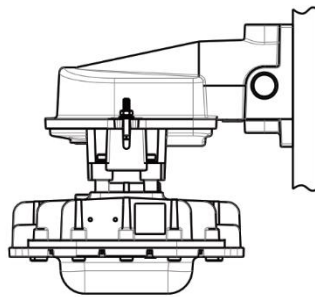
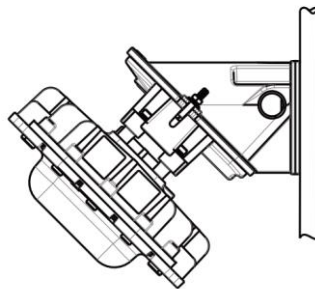


FOR USE WITH MODEL NUMBERS:  
**HZXW01 HZXW45 HZXS45 HZXFM, HZXT90,**  
**HZXS90 HZXUMA, HZXW01U, HZXW45U,**  
**HZXS45U HZXFMU**

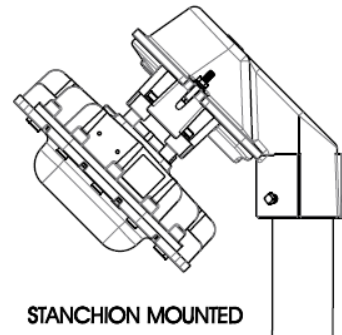

 These instructions contain important safety information, read and follow them carefully. Dialight will not accept any responsibility for injury, damage or loss which may occur due to incorrect installation, operation or maintenance
 



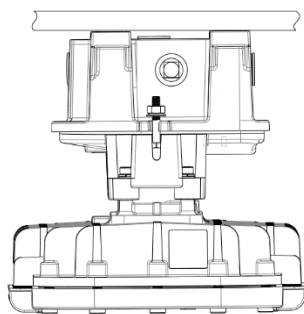
0 DEGREE WALL MOUNTED  
**HZXW01**



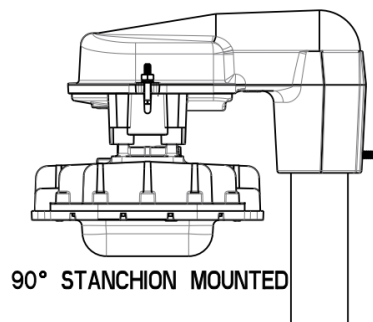
45 DEGREE WALL MOUNTED  
**HZXW45**



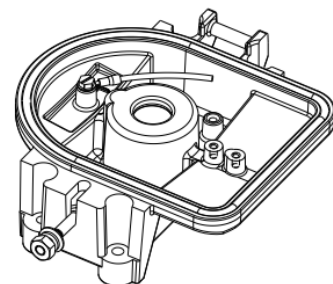
STANCHION MOUNTED  
**HZXS45**



FLUSH MOUNT  
**HZXFM**



90° STANCHION MOUNTED  
**HZXT90, HZXS90**



UMA  
**HZXUMA, HZXW01U,**  
**HZXW45U, HZXS45U,**  
**HZXFMU, HZXT90U, HZXS90U**

**WARNING: INSTALLATION & SECONDARY RETENTION. The use of this product without proper installation and inspections, including secondary safety retention/securing/netting, could cause severe injury or death.** Dialight recommends that all installations should use secondary retention and/or safety netting (appropriate to the installation environment) where applicable. It is the exclusive responsibility of the contractor, installer and/or end customer to: (a) determine the suitability of the product for its intended application; and, (b) ensure that the product is installed safely (with secondary retention and/or safety netting where appropriate) and in compliance with all applicable laws and regulations. To the extent permissible under the relevant law, Dialight disclaims all responsibility for personal injury and/or other damage resulting from any dislodgement or other dislocation of this product.

**ADVERTENCIA: INSTALACIÓN Y SISTEMA SECUNDARIO DE SUJECCIÓN. Usar este producto sin haberlo instalado e inspeccionado correctamente, lo que incluye usar sistemas secundarios de retención/sujección/redes, podría ocasionar lesiones graves o la muerte.** Dialight recomienda que en todas las instalaciones se utilice un sistema secundario de retención o una red de seguridad (apropiados para el lugar de la instalación), según corresponda. Será responsabilidad exclusiva del contratista, el instalador o el cliente final encargarse de lo siguiente: a) determinar si el producto es apto para el uso previsto; y b) asegurarse de que el producto se instale de manera segura (usando un sistema secundario de retención o una red de seguridad, si corresponde) y de conformidad con todas las leyes y disposiciones aplicables. En la máxima medida autorizada por la legislación pertinente, Dialight no será responsable por ninguna lesión personal u otros daños que se produzcan a raíz de cualquier caída o desplazamiento de este producto.

**AVISO: INSTALAÇÃO E RETENÇÃO SECUNDÁRIA. O uso deste produto sem a instalação e inspeções adequadas, incluindo retenção/fixação secundárias e/ou redes de segurança, pode provocar ferimentos sérios ou morte.** A Dialight recomenda que todas as instalações utilizem retenção secundária e/ou redes de segurança (apropriadas ao ambiente da instalação) sempre que aplicável. É responsabilidade exclusiva da empreiteira, instaladora e/ou do cliente final: (a) determinar a adequabilidade deste produto para a aplicação pretendida; e, (b) assegurar que o produto seja instalado de maneira segura (com retenção secundária e/ou rede de segurança sempre que apropriado) e em conformidade com todas as leis e regulamentações aplicáveis. Dentro dos limites permitidos pela legislação pertinente, a Dialight se exime de toda responsabilidade por ferimentos pessoais e/ou outros danos resultantes do desalojamento ou de outro deslocamento deste produto.

**AVERTISSEMENT : INSTALLATION ET FIXATION SECONDAIRE. L'utilisation de ce produit sans une installation et des inspections en bonne et due forme, notamment la sécurisation/ la fixation de sécurité secondaires/ l'installation d'une grille en acier tissée de sécurité, peut entraîner des blessures graves voire la mort.** Dialight recommande que toutes les installations soient pourvues d'une fixation secondaire ou d'une grille en acier tissée de sécurité (adaptées à l'environnement de l'installation) dans la mesure du possible. Il va de la responsabilité exclusive de l'entrepreneur, de l'installateur ou du client final de : (a) déterminer si le produit est adapté à son usage prévu et (b) assurer que le produit est installé de manière sûre (avec une fixation secondaire et/ou une grille en acier tissée de sécurité le cas échéant) et en conformité avec la loi et les normes en vigueur. Dans la mesure permise par la loi en vigueur, Dialight n'assumera aucune responsabilité en cas de blessure sur la personne ou autre dommage résultant du déboîtement ou de toute autre dislocation de ce produit.

**WARNUNG: INSTALLATION UND ZWEITE ABHÄNGUNG. Die Verwendung dieses Produkts ohne ordnungsgemäße Installation und Inspektionen, einschließlich einer zweiten Abhängung/eines Sicherheitsnetzes, könnte zu schweren Verletzungen oder Tod führen.** Dialight empfiehlt bei allen Installationen die Verwendung einer zweiten Abhängung und/oder eines Sicherheitsnetzes (entsprechend der Installationsumgebung). Es ist die ausschließliche Verantwortlichkeit des Vertragsnehmers, Monteurs und/oder Endkunden: (a) die Eignung des Produkts für seinen vorgesehenen Nutzungszweck zu bestimmen und (b) sicherzustellen, dass das Produkt sicher (mit ggf. zweiter Abhängung und/oder einem Sicherheitsnetz) und gemäß allen geltenden Gesetzen und Vorschriften montiert wird. Soweit gemäß dem geltenden Gesetz erlaubt, schließt Dialight jegliche Haftung für Körperverletzung und/oder andere Schäden aufgrund einer Entfernung oder anderen Positionsänderung dieses Produkts aus.

## 1: Introduction

Models HZXW01, HZXW45, HZXS45, HZXFM, HZXT90, HZXUMA, HZXW01U, HZXW45U, HZXS45U, and HZXFMU are suitable for use in the following locations:

- **Haz Locations for 100-277 VAC product:** **Class I, Div. 2 Groups A, B, C & D**  
**Class II, Div. 1 Groups E, F & G**
- **Haz Locations for 480 VAC & 24-48 VDC product:** **Class I, Div. 2 Groups A, B, C & D**

All models above and HZXS90 are suitable for use in the following locations:

- **NON-HAZARDOUS LOCATIONS:** **SUITABLE FOR WET LOCATIONS**  
**UL1598/1598A**

**Note:** Save these instructions for future reference.

## 2: Installation

### **Warning:**

To avoid the risk of fire, explosion, or electric shock, this product should be installed, inspected, and maintained by a qualified electrician only, in accordance with all applicable electrical codes.

### **Warning:**

To avoid electric shock:

- Be certain electrical power is OFF before and during installation and maintenance.
- Luminaire must be connected to a wiring system with an equipment-grounding conductor.

### **Hazardous:**

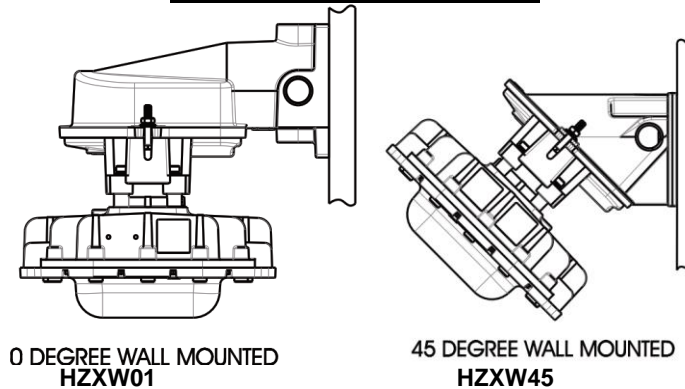
- DO NOT let power cord touch hot surfaces
- DO NOT mount near gas or electric heaters
- Equipment should be mounted in locations and at heights where it will not be subjected to tampering by unauthorized personnel.
- The use of accessory equipment not recommend by the manufacture may cause an unsafe condition
- DO NOT use this equipment for other than intended use

### **Warning:**

- The technical data indicated on the Luminaire are to be observed.
- Changes to the design and modifications of the Luminaire are not permitted
- Only genuine Dialight replacement parts are to be used when unforeseen maintenance is required

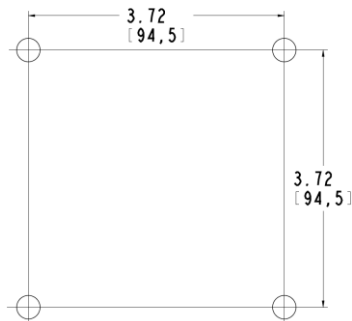
For supply connections use wire rated for at least 90°C  
Recommended mounting height: 8 feet to 24 feet (2.4 m to 7.3 m)

## Wall Mount Steps:



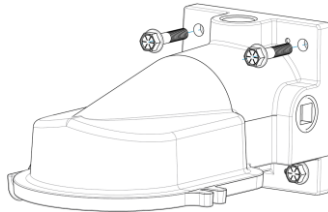
**NOTE:** Wall Mount Fixtures are to be mounted to vertical surfaces structurally adequate to support the fixture in a safe manner. All 5 conduit connection ports are 3/4-14 NPT. The 0° Wall Mount (HZXW01) shown in all figures below. All steps also apply to the 45° Wall Mount (HZXW45).

1. Assure electrical power is OFF.
2. Mark and drill 4 holes of the appropriate size and depth to accept 5/16" (or M8) diameter threaded fasteners (not supplied). Spacing per **Figure 1** on the next page.



**Figure 1: Required Hole Pattern for Wall Mount (HZXW01 & HZXW45)**

3. Firmly secure the Wall Mount to the wall surface using four 5/16" (or M8) diameter fasteners with the appropriate anchoring system. Fastener hardware not provided. **See Figure 2.**



**Figure 2: Anchor Wall Mount to Wall**

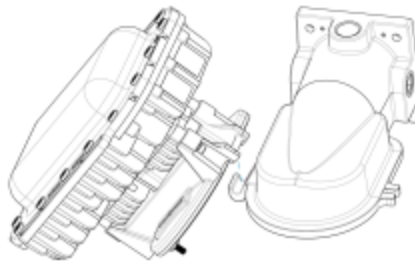
4. Attach 3/4" NPT threaded conduit into the required threaded hub and bring the electrical wiring into the Wall Mount. All conduit connections and unused 3/4" hubs must be environmentally sealed. Un-used threaded hubs are closed using the NPT threaded plugs provided or equivalent.

**NOTE:** If connecting to the rear 3/4-14 NPT port (port facing the wall) use a cable connector (or gland) properly rated for the application to seal the Wall Mount fixture. Cable gland not supplied

**NOTE:** The Wall Mount is supplied with 5 conduit entries; top, bottom, left, right and rear. The top conduit entry hub is open (no NPT plug). If this port is not used, assure it is environmentally sealed using a proper 3/4" NPT plug.

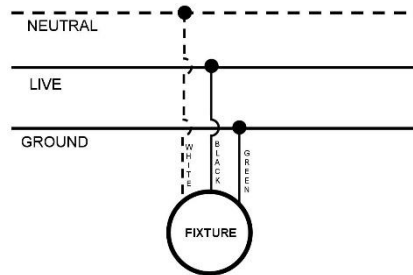
5. Hang the Area Light on the Wall Mount Bracket. Make sure you do not pinch any of the wires during this process. **See Figure 3**

Document No: 9100-127-2546-99 Rev D



**Figure 3: Hang Area Light on Bracket**

6. Make all wire connections per local electric code. **See Figure 4**
  - For single phase (120 / 277 VAC):
    - Green wire connects to Safety Ground. (use pigtails supplied)
    - White wire connects to Neutral
    - Black wire connects to HOT



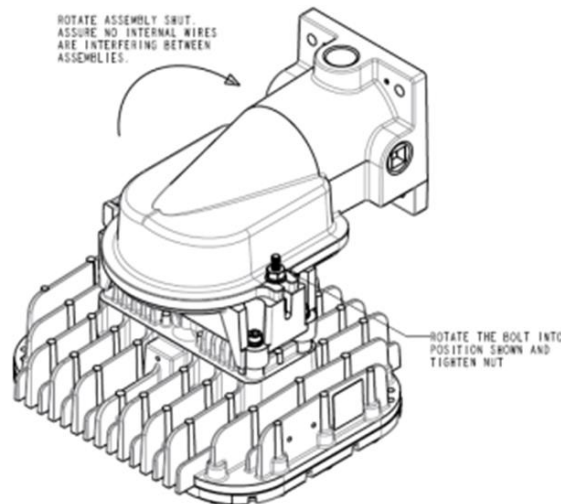
**Figure 4: Wiring Diagram**

**NOTE:** Inspect and assure connections are made properly.



**When closing the assembly assure that the red O-ring is properly seated and there are no wires or objects interfering with the O-ring seal or sealing surface.**

7. Rotate fixture shut, Swing ¼-20 bolt into place and tighten nut to seal assembly shut. **See Figure 5 on the next page.**



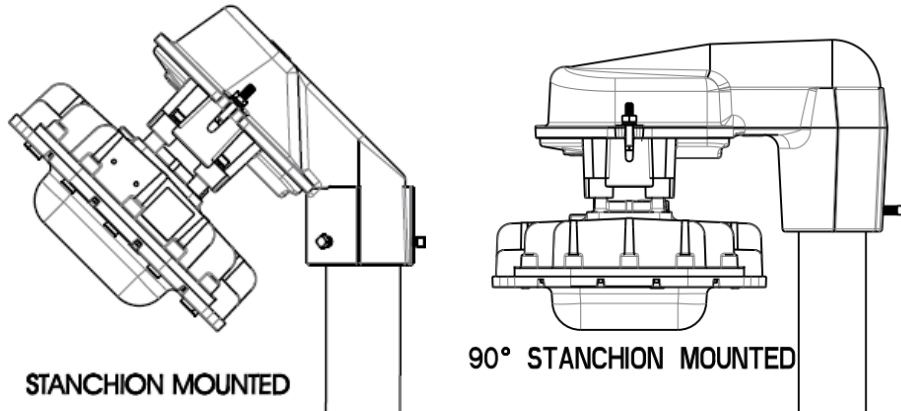
**Figure 5: Close and Torque ¼-20 nut to 50 in-lbs (5.4N-m)**



**Prior to restoring power assure that all unused ¾" NPT hubs are properly plugged.**

8. Restore power and verify operation.

## 45° and 90° Threaded Stanchion Mount Steps:



**NOTE:** The 45° and 90° Stanchion Mount fixtures are intended to be mounted to 2" NPT threaded vertical pole sealed to the proper IPXX rating for the application. Use the appropriate NPT threaded reducing bushing to adapt a Stanchion Mount fixture to a 1-1/2" NPT threaded pole.

1. Assure electrical power is OFF.
2. Back off 5/16"-18 set screw provided such that it will not interfere with the attachment operation. Firmly thread the Stanchion Mount to the 2" NPT threaded pole. Properly engage the threads and turn the Stanchion Mount by hand until tight. Continue tightening using a wrench until the proper orientation is achieved. Torque the 5/16"-18 screw to 10 ft-lbs [14 N-m]. If attaching to a 1 1/2" NPT threaded pole attach a reducing bushing to the pole first. **See Figure 1 and Figure 2**

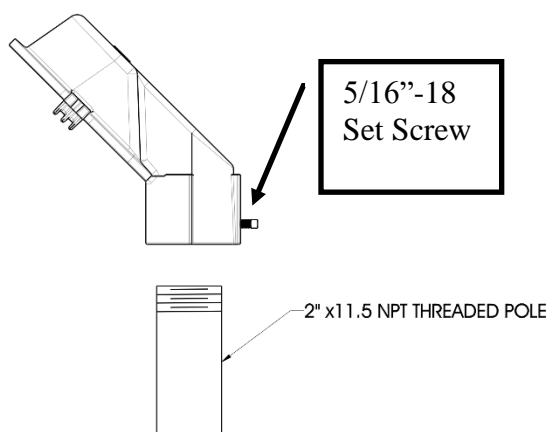


Figure 1: 2" NPT THREADED POLE

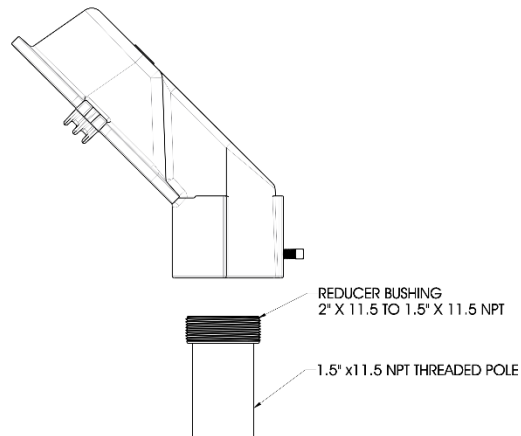


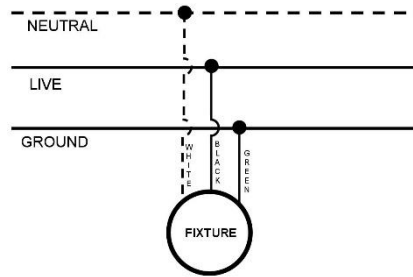
Figure 2: 1 1/2" NPT REDUCER BUSHING

3. Hang the Area Light on the Stanchion Mount and prepare for electrical wiring. **See Figure 3**



Figure 3: Hang Area Light onto Stanchion Mount

4. Make all wire connections per local electric code. **See Figure 4**
  - For single phase (120 / 277 VAC):
    - Green wire connects to Safety Ground. (use pigtails supplied)
    - White wire connects to Neutral
    - Black wire connects to HOT



**Figure 4: Wiring Diagram**

**SINGLE PHASE 120/277 VAC WIRE COLOR CODE - IEC (US)**

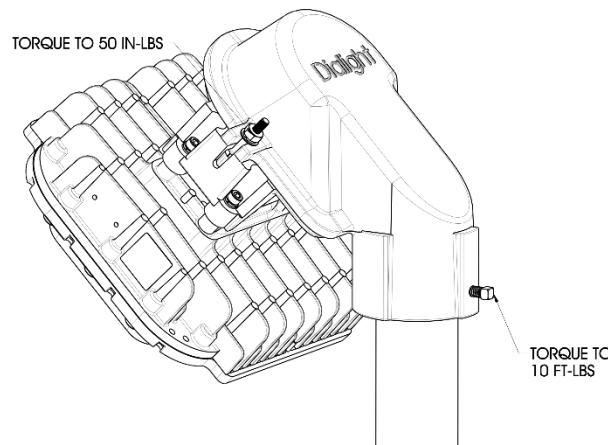
BROWN (BLACK) = LIVE  
 BLUE (WHITE) = NEUTRAL  
 GREEN-YELLOW (GREEN) = GROUND



**NOTE: Inspect and assure connections are made properly.**

**When closing the assembly ensure that the red O-ring is properly seated and there are no wires or objects interfering with the O-ring seal or sealing surface.**

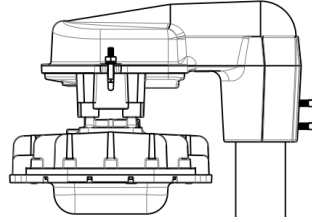
5. Assure no object is interfering with the O-ring seal or sealing surfaces and rotate fixture shut. Swing ¼-20 bolt into place and tighten nut to seal assembly shut. **Torque ¼-20 nut to 50 in-lbs [5.4 N-m]. Torque the 5/16-18 screw to 10 ft-lbs [14 N-m]. See Figure .**



**Figure 5**

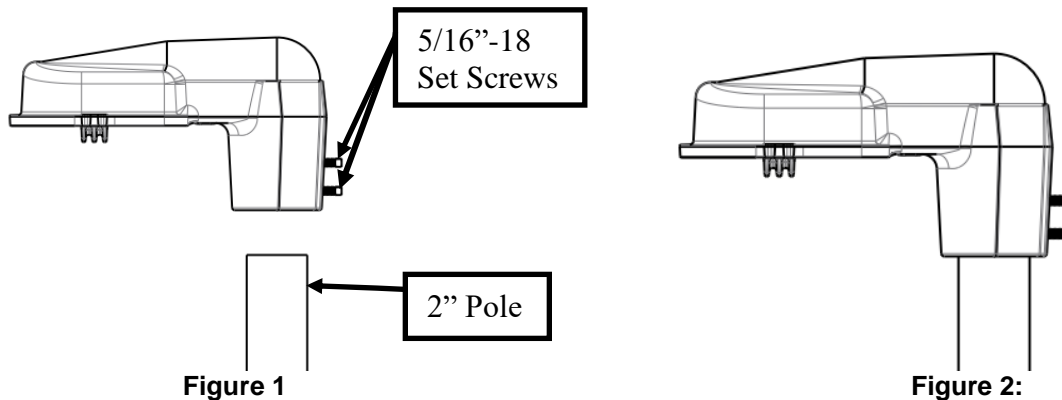
6. Restore power and verify operation.

## 90° Slip fit Stanchion Mount Steps:

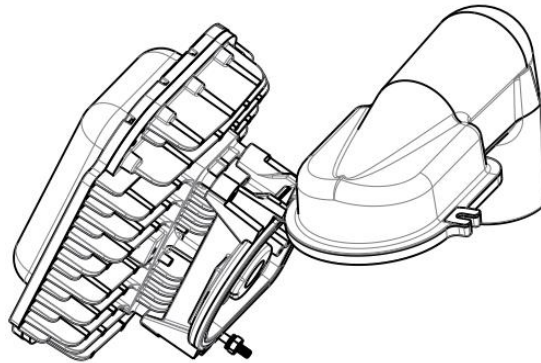


**NOTE:** The 90° Stanchion Mount fixtures are intended to be mounted to 2" vertical pole sealed to the proper IPXX rating for the application.

1. Assure electrical power is OFF.
2. Back off the 2x 5/16"-18 set screws provide such that they will not interfere with attachment operation. Slide the 90° Slip Fit Stanchion mount onto the pole, align it in the desired orientation, and slightly tighten the set screws onto the pole but do not torque yet. **See Figure 1 and Figure 2**



3. Hang the Area Light on the Stanchion Mount and prepare for electrical wiring. **See Figure 3**



**Figure 3: Hang Area Light onto Stanchion Mount**

4. Make all wire connections per local electric code. **See Figure 4**
  - For single phase (120 / 277 VAC):
    - Green wire connects to Safety Ground. (use pigtails supplied)
    - White wire connects to Neutral
    - Black wire connects to HOT



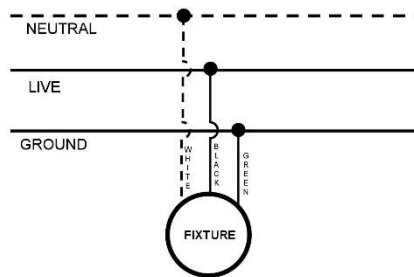


Figure 4: Wiring Diagram

**SINGLE PHASE 120/277 VAC WIRE COLOR CODE - IEC (US)**

BROWN (BLACK) = LIVE  
 BLUE (WHITE) = NEUTRAL  
 GREEN-YELLOW (GREEN) = GROUND



**NOTE:** Inspect and assure connections are made properly.

When closing the assembly ensure that the red O-ring is properly seated and there are no wires or objects interfering with the O-ring seal or sealing surface.

- Assure no object is interfering with the O-ring seal or sealing surfaces and rotate fixture shut. Swing ¼-20 bolt into place and tighten nut to seal assembly shut. **Torque ¼-20 nut to 50 in-lbs [5.4 N-m]. Torque the 5/16-18 screw to 10 ft-lbs [14 N-m]. See Figure 5.**

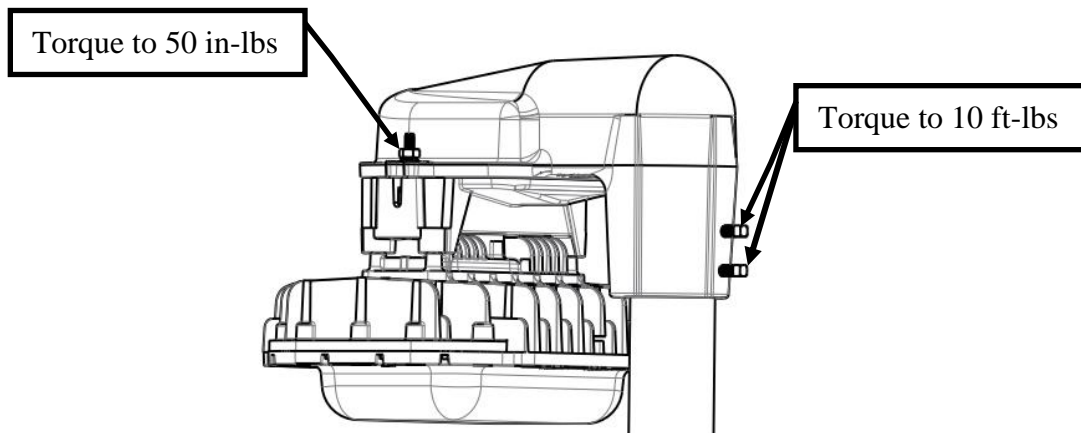
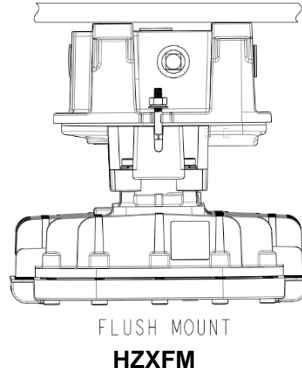


Figure 5

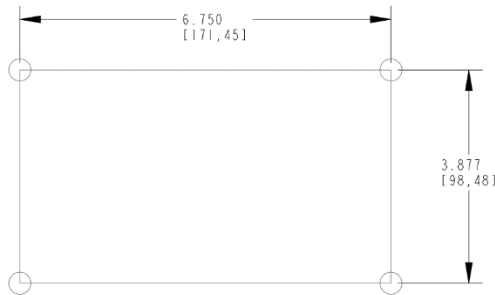
- Restore power and verify operation.

## **Flush Mount Steps:**



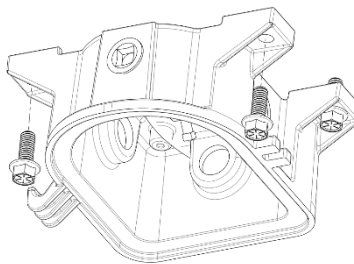
**NOTE:** Flush Mount Fixtures are to be mounted to horizontal surfaces structurally adequate to support the fixture in a safe manner. All 5 conduit connection ports are 3/4-14 NPT.

1. Assure electrical power is OFF.
2. Mark and drill 4 holes of the appropriate size and depth to accept 3/8" (or M10) diameter threaded fasteners (not supplied). Spacing per **Figure 1** on the next page.



**Figure 2: Required Hole Pattern for Flush Mount (HZXFM)**

3. Firmly secure the Flush Mount to the horizontal surface using four 3/8" (or M10) diameter fasteners with the appropriate anchoring system. Fastener hardware not provided. **See Figure 2.**

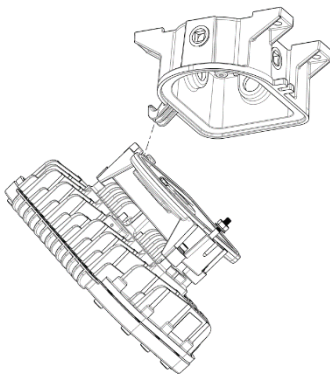


**Figure 2: Anchor Flush Mount**

4. Attach 3/4" NPT threaded conduit into the required threaded hub and bring the electrical wiring into the Flush Mount. All conduit connections and unused 3/4" hubs must be environmentally sealed. Un-used threaded hubs are closed using the NPT threaded plugs provided or equivalent.

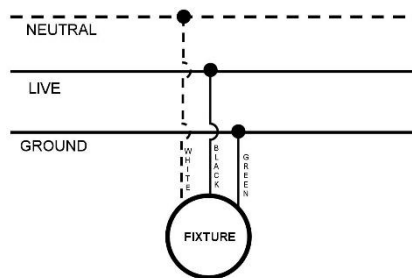
**NOTE:** If connecting to the rear 3/4-14 NPT port (port facing the ceiling) use a cable connector (or gland) properly rated for the application to seal the Flush Mount fixture. Cable gland not supplied.

5. Hang the Area Light on the Flush Mount Bracket. Make sure you do not pinch any of the wires during this process. **See Figure 3**



**Figure 3: Hang Area Light on Bracket**

6. Make all wire connections per local electric code. **See Figure 4**
  - For single phase (120 / 277 VAC):
    - Green wire connects to Safety Ground. (use pigtails supplied)
    - White wire connects to Neutral
    - Black wire connects to HOT



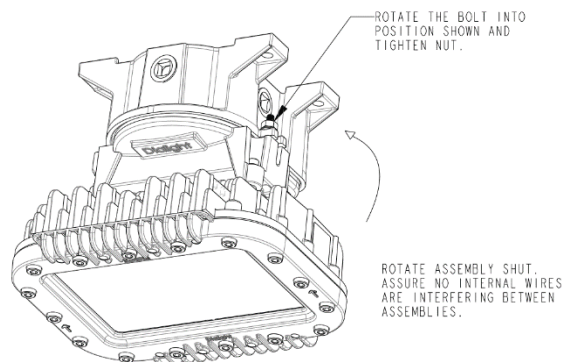
**Figure 4: Wiring Diagram**

**NOTE:** Inspect and assure connections are made properly.



**When closing the assembly assure that the red O-ring is properly seated and there are no wires or objects interfering with the O-ring seal or sealing surface.**

7. Rotate fixture shut, Swing ¼-20 bolt into place and tighten nut to seal assembly shut. **See Figure 5.**



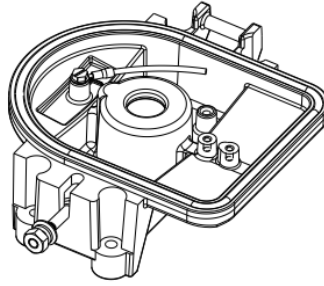
**Figure 5: Close and Torque ¼-20 nut to 50 in-lbs (5.4N-m)**



**Prior to restoring power assure that all unused ¾" NPT hubs are properly plugged.**

8. Restore power and verify operation.

## UMA Steps:

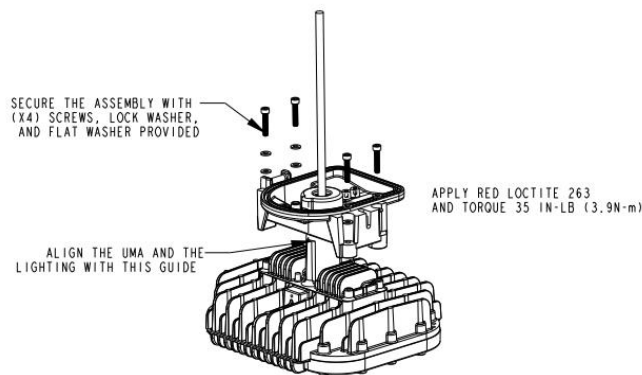


UMA

HZXUMA, HZXW01U, HZXW45U, HZXS45U, HZXFMU

**NOTE:** Universal Mounting Adapter are to be assembled on Area Light fixtures and to be mounted with different options as wall mount, stanchion mount, or flush mount brackets.

1. The UMA already contain a grommet and an O-ring to assure the proper sealing of the unit.
2. Install UMA to the Area Light, use the provided hardware to complete the assembly. **See Figure 1.**



**Figure 1: Install UMA on Area Light**

3. Apply one drop of Red Loctite 263 to the first threads of the screw tip.
4. Install the screws in the position indicated in **Figure 1**, to tighten them use a torque wrench, not provided, and apply a torque of 35 In-Lb. (3.9 N-m).
5. You may need to cut the AC cable to 7 inches after the installation of the UMA.

### 3: Specifications

#### Dimensions

0° Wall Mount	See Figure 6 on the next page
45° Wall Mount	See Figure 7 on the next page
45° Stanchion Mount	See Figure 8 on the next page
90° Stanchion Mount	See Figure 9 on the next page
Flush Mount	See Figure 10 on the next page

#### Weight

0° Wall Mount	15.0 lbs. [6.8 kg]
45° Wall Mount	14.2 lbs. [6.4 kg]
45° Stanchion Mount	14.8 lbs. [6.7 kg]
90° Stanchion Mount	15.8 lbs. [7.2 kg]
Flush Mount	13.6 lbs. [6.2 kg]

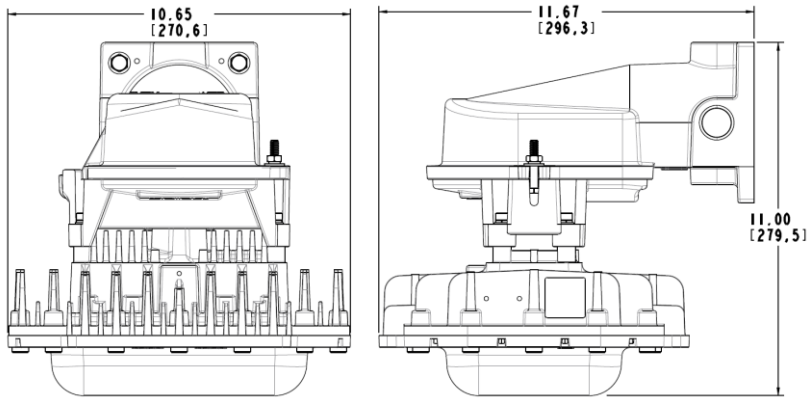
**Connections**

Wall Mount  
 45° Stanchion  
 90° Stanchion  
 Flush Mount

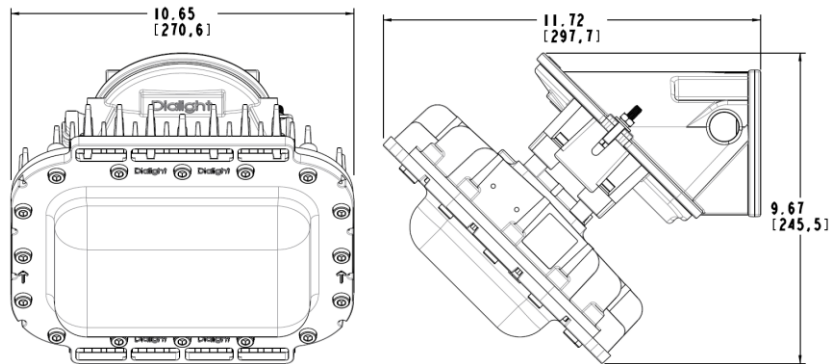
3/4"-14 NPT hubs (five total)  
 2" NPT hubs (1 1/2" NPT with reducer)  
 2" NPT hubs (1 1/2" NPT with reducer) or 2" Slip Fit  
 3/4"-14 NPT hubs (five total)

Intertek Certified to

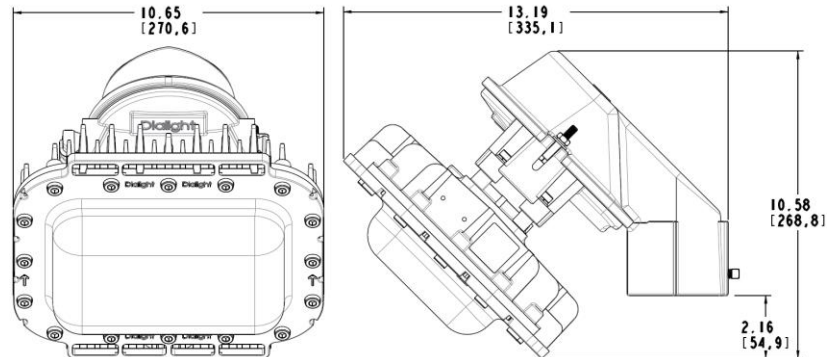
UL 1598/A, CAN/CSA C22.2 No. 250 & CE Compliant



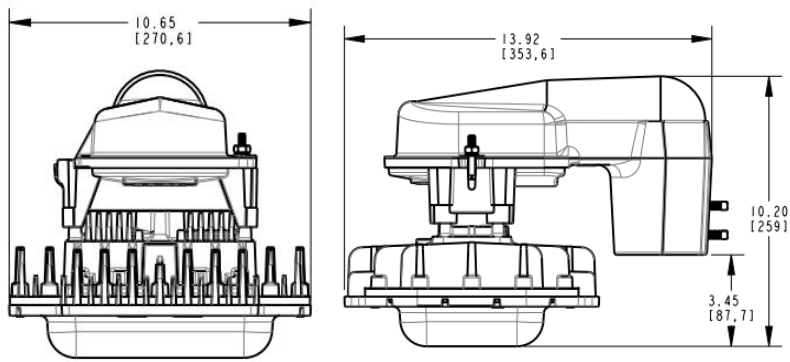
**Figure 6: 0° Wall Mount**



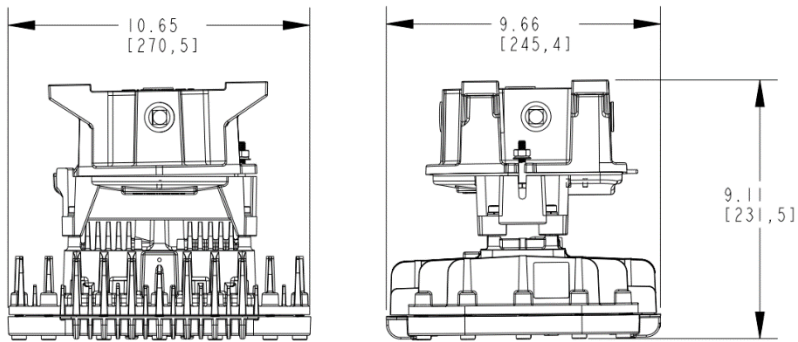
**Figure 7: 45° Wall Mount**



**Figure 8: 45° Stanchion Mount**



**Figure 9: 90° Stanchion Mount**



**Figure 10: Flush Mount**

**DIMENSIONS ARE FOR REFERENCE ONLY.**

All statements, technical information and recommendations contained herein are based on information and tests we believe to be reliable. The accuracy or completeness thereof is not guaranteed. In accordance with Dialight Corporation "Terms and Conditions of Sale", and since conditions of use are outside our control, the purchaser should determine the suitability of the product for his intended use and assumes all risk and liability whatsoever in connection therewith.