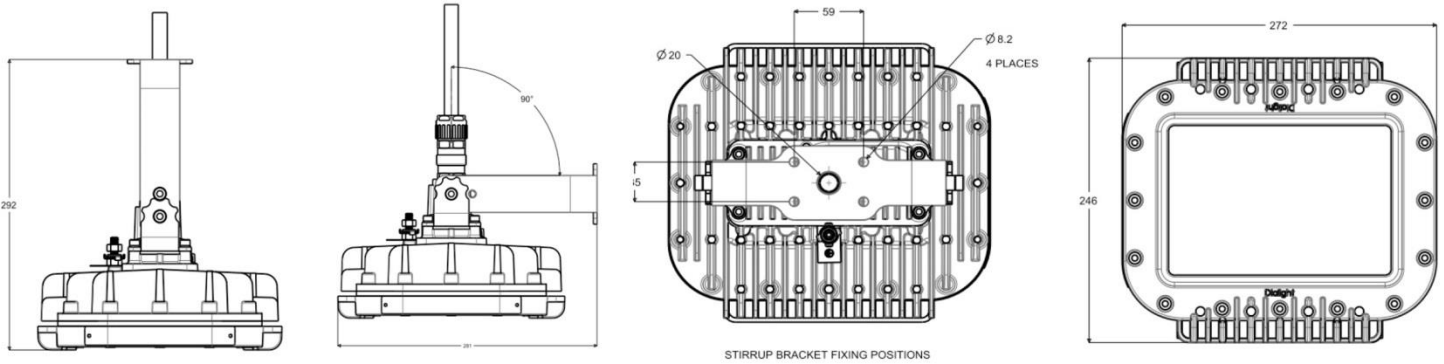
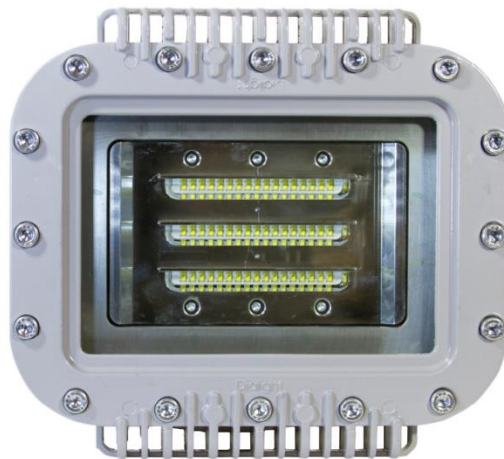


Important information:

These instructions contain safety information, read and follow them carefully. Dialight will not accept any responsibility for injury, damage or loss which may occur due to incorrect installation, operation or maintenance

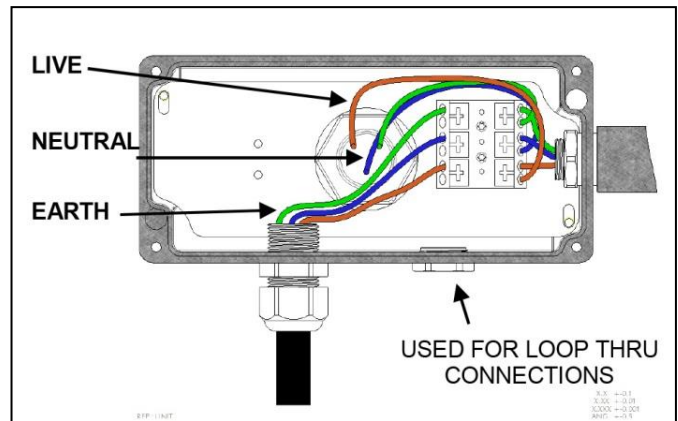
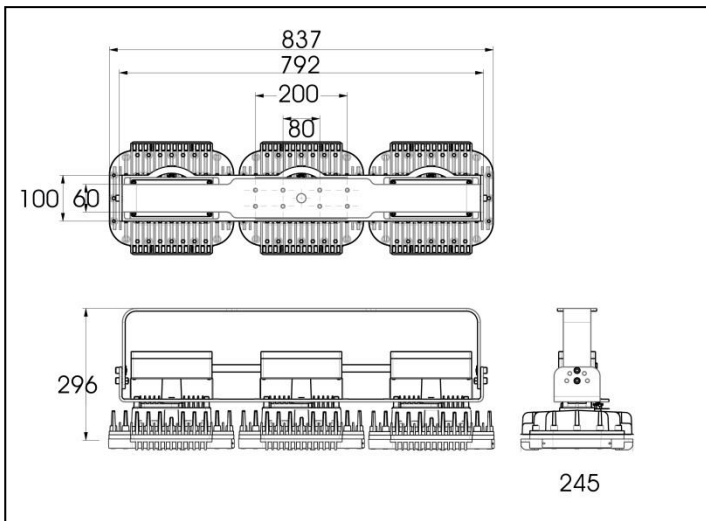
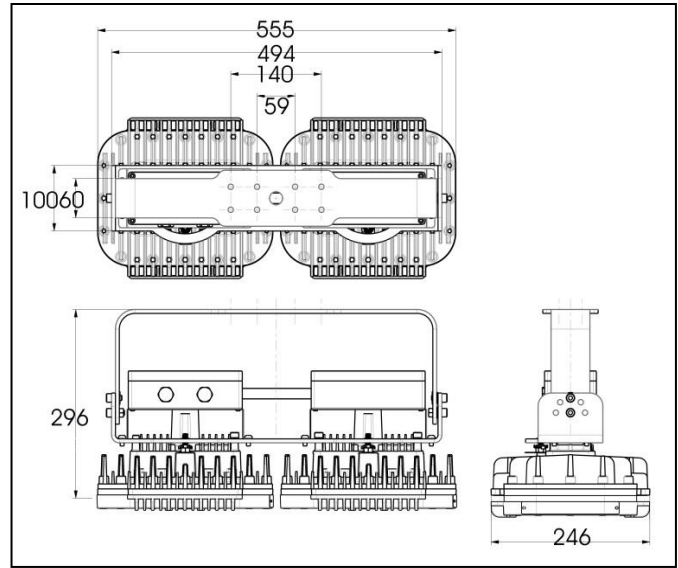
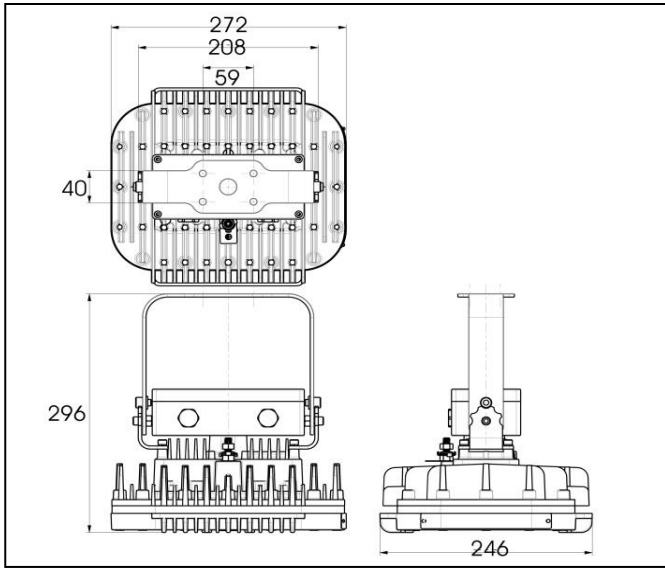
Operating Instructions



Languages

English

SafeSite® Area Light Zone 1, 21 ATEX/IECEx for hazardous areas



Dimensions in mm

Safety Instruction:

The installation, operation and maintenance must be carried out by an electrician suitably trained in hazardous areas with knowledge of increased safety explosion protection IEC 60079-14

- The technical data indicated on the LED luminaires are to be observed.
- Changes of the design and modifications to the LED fixture are not permitted
- Observe the national safety rules and regulations during installation.
- No user serviceable parts inside.
- No field replaceable parts.

Technical Data

Category of Application:

Ex II 2GD Ex d* IIC T4 Gb (Ta = -40°C to +65°C)
 Ex II 2GD Ex d* IIC T5 Gb (Ta = -40°C to +42°C)
 Ex t IIIC T135°C Db IP 66/67 (Ta = -40°C to +65°C)
 Ex t IIIC T100°C Db IP 66/67 (Ta = -40°C to +42°C)

* When these lights are fitted with an increased safety enclosure and terminals, this marking becomes 'd e'.

Operating Temp: T4 = -40°C to +65°C
 T5 = -40°C to +42°C

IECEx: IECEx SIR 11.0156
ATEX: Sira 11ATEX1357

Input Voltage: 110-277 VAC 50/60Hz

Input Power: 21W (HZx0, HZx1)
 38W (HZx2, HZx3)
 47W (HZx4, HZx5)
 57W (HZx8, HZx9)
 68W (HZxE, HZxF)

Housing Material: Powder Coated Aluminum

Finish: Epoxy Powder Coat Gray RAL 7040

Lens: Glass

Weight:

Without J/BOX 9.53kg
 Single with J/BOX 9.03kg
 Double with J/BOX 18.06kg
 Triple with J/Box 27.09kg

Dimensions: See page 2

Conformity with Standards

This equipment conforms to the standards specified in the Declaration of Conformity. It has been designed, manufactured and tested in accordance with BS EN 9001.

ATEX Directive 2014/34/EU Equipment and protective systems intended for use in potentially explosive atmospheres. EMC Directive 2014/30/EU for electromagnetic compatibility.

Equipment Application

This lighting equipment is intended for use in a potentially explosive atmosphere in Zones 1, 2, 21, and 22 to the requirements of ATEX Directive 2014/34/EU. The product can be used inside or outside to illuminate areas with potentially explosive atmosphere.

Installation (Single Version)

Ensure that the mains voltage supply is disconnected before connecting the luminaire. Install the equipment in accordance with the manufacturer's instructions as well as any other applicable electric codes.

Always transport and store the equipment in its original packaging and keep in a dry location. When unpacking check for any cracks or damage in the housing, glass, and glass frame. If in doubt, do not install!

Electrical Connection:

	COLOURED CABLE	NUMBERED CABLE
LIVE	BROWN	1
NEUTRAL	BLUE	2
GROUND	GRN/YEL	3

Mounting Luminaire

Assemble the mounting bracket to the Luminaire with 2 M8 x 1.25 by 16mm bolts. Torque specification: 10.0nm maximum.

Use the further 2 M8 x 1.25 by 16mm bolts for locking the light fixture into position.

Taking into operation

Prior to operating, check the luminaire for its correct installation in compliance with these operating instructions and other applicable regulations.

Attention: Only fully certified equipment may be put into operation. The improper installation, operation, and maintenance of these luminaries may result in the invalidation of the guarantee.

IMPORTANT

NEVER Open the luminaire. There are no user serviceable parts inside.

DO NOT remove or tamper with certified cable gland. The Ex d rated gland has been supplied and installed to the luminaire accordance with the manufacturer's instructions.

Tampering with this cable gland may compromise IP66/67 rating and result in flame propagation into the atmosphere.

Conditions for use:

When used with steel wired armor or braided cable the basket weave armor or braid is unable to carry the cable load without fracture. Therefore the cable must be clamped and cleated to prevent pulling on the cable being transmitted to the cable terminations.

Luminaires supplied with a fitted cable must be protected from direct or vibrational impact to prevent damage to the sheathing when operated in ambient temperatures below -30°C.

Improper installation and operation of this luminaire May invalidate the warranty. For maximum long term reliability and light output, the luminaire must be installed in free air.

The SafeSite Area Light fixture design incorporates an over-temperature control circuit that reduces input power should internal temperatures reach a maximum level. In this event light output may be reduced.

Maintenance

NEVER Open the Luminaire. There are no user serviceable parts inside.

This LED Luminaire should require a minimum amount of maintenance. If any unforeseen repairs are required then always observe explosion protection regulations and requirements.

Inspection

Within the scope of maintenance or inspection routine the following should be included.

Protective hoses covering the connection cables.

Cable entries must be free of corrosion.

Perform visual mechanical and electrical inspections on a regular basis. We recommend routine checks to be made on a yearly basis. Frequency of use and environment should determine this. It is recommended to follow an Electrical Preventive maintenance Program as described in NFPA 70B: Recommended Practice for Electrical Equipment.

The Lens should be cleaned periodically as needed to ensure continued photometric performance. Clean the Lens with a damp, non-abrasive, lint free cloth. If not sufficient, use mild soap or a liquid cleaner.

Inspect cooling fins on the luminaire to ensure that they are free of any obstructions or contamination (i.e. excessive dust build up). Clean with non-abrasive cloth if needed

Repairs / Overhaul / Modification

The relevant national regulations which apply to the maintenance / servicing of electrical apparatus in explosive atmospheres shall be observed.

Should the Luminaire enclosure be damaged, only a replacement will be permitted. In case of doubt, the equipment should be returned to Dialight Corporation for inspection/repair.

Modifications to the device or changes of its design are not permitted.

The equipment must be operated according to the intended purpose in a perfect and undamaged condition.

Disposal Recycling

When the apparatus is disposed of, the respective national regulations on waste disposal should be observed.

Chemical Compatibility Guide

The chemical compatibility data referenced in this manual was supplied by the raw material manufacturers and is intended as a general guide. The data represents the basic material properties and does not necessarily represent the performance of the final product due to manufacturing process and design variations for each final product. Chemical compatibility is highly dependent on concentration, temperature, humidity, and other environmental conditions and therefore the customer assumes responsibility for evaluation of gaseous or direct contact chemical compatibility at their site prior to product installation.

For general guidelines describing chemical compatibility, visit us at:

www.dialight.com/pubs/MDTFCHEMRFLX001.pdf