

.....Dialight



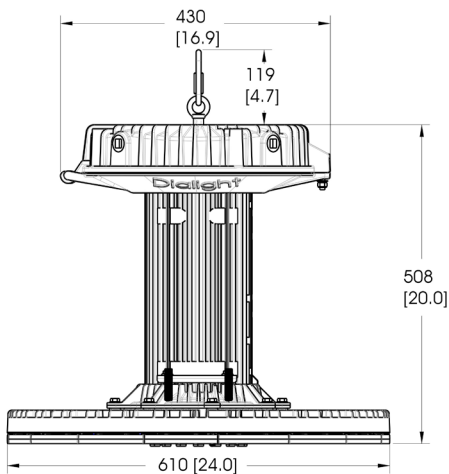
Dialight® LED High Bay - High Output Technical Specification Sheet - APAC

Vigilant® LED High Bay - High Output Standard Models



Certifications & Ratings

- CE
 - EN 55015:2013
 - EN 60598:2008
 - EN 61547:2009
 - EN 62471:2008
- ENEC
- RCM
- UL 1598/A
- IK06 to EN50102
- IP66/67



Dimensions in mm [inches]

Mechanical Information:

120-277 VAC model
complete fixture weight: 28.6 kg (63.1 lbs)
 Wiring box: 3.2 kg (7.1 lbs) [mount first]
 Light engine (base): 25.4 kg (56.0 lbs) [mount last]

Shipping weight: 37.5 kg (82.6 lbs)

415 VAC model
complete fixture weight: 35.8 kg (79 lbs)
 Wiring box: 10.4 kg (23 lbs) [mount first]
 Light engine (base): 25.4 kg (56.0 lbs) [mount last]

Shipping weight: 44.7 kg (98.6 lbs)

Note that the wire box is installed separately from the housing. This allows single installer for fixtures.

Box dimensions (cm): Length - 64, Width - 56.5, Height - 72.7

Mounting: Hook mount

Cable entry: (4) M25 - sides

Terminals: 5 position, 0.5-4 mm²

Materials:

Housing: Die cast aluminium alloy A360

Hardware: 18-8 stainless steel

Hook: 304 stainless steel

Safety shackle: 304 stainless steel

Safety rope: Optional 316 stainless steel safety rope, 304 stainless steel crimp

Gaskets:

Light engine: Santoprene

Wiring box: Silicone

Power supply (ends): EPDM

Lens: Tempered glass, acrylic or UV stabilized polycarbonate

Fixture finish: Superior dual coat finish
 - Sealed polyester topcoat
 - Chemical-resistant epoxy primer

Electrical Specifications:

Operating voltage: 120-277 VAC, 50/60 Hz
 415 VAC

Operating temperature: -40°C to +65°C (-40°F to +149°F)

Total system power consumption: See table

EMC: EN 62493: 2015, EN 61547: 2009, EN 61000-3-2: 2015, EN 61000-3-3: 2013

Transient protection: 6kV/3kA combination wave, as per IEEE C62.41, line-line and line-ground

THD: EN55015:2013 < 20%

Harmonics: IEC 61000-3-2, Class C

Power factor: > 0.9

Variable Dimming:

Variable dimming control: 0-10 VDC

Dimming range: 10 VDC = 100% light output
 0 VDC = 5% light output

Photometric Information:

CRI: 80

CCT: 5000K (cool white)
 4000K (neutral white)

All values typical unless otherwise stated (tolerance +/- 10%)

Ordering Information

Vigilant® LED High Bay - High Output - Standard Models



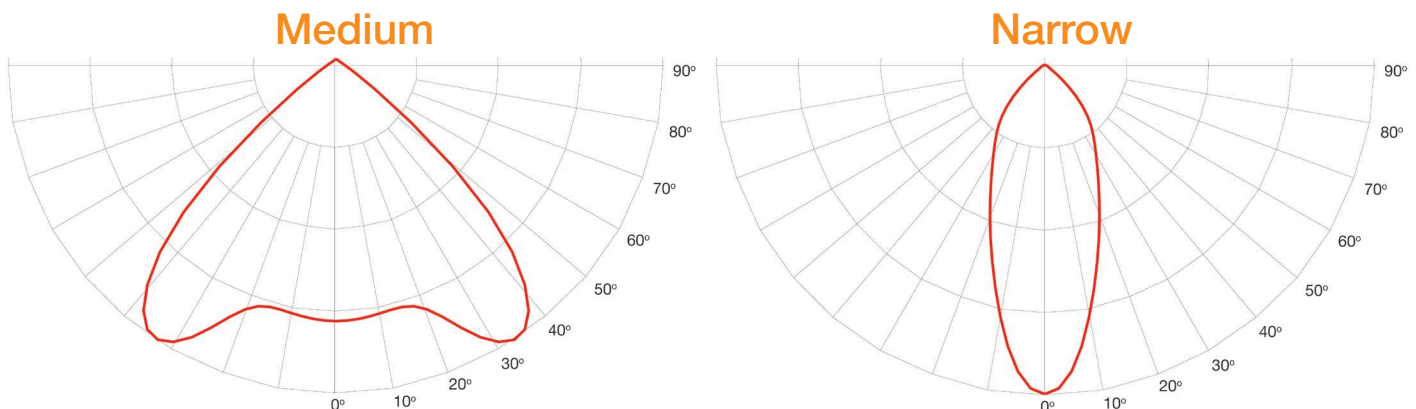
Part Number	Fixture Lumen	Watt	lm/W	IP Rating	Voltage	CCT	Lens	Beam Distribution
CE Standard Models - 120-277 VAC								
H6E-7NN2-RDHN-NGN	72,000	484	149	IP66/67	120-277 VAC	4000K (neutral white)	Glass	Narrow
H6E-7MN2-NDHN-NGN	60,000	414	145	IP66/67	120-277 VAC	4000K (neutral white)	Glass	Medium
H6E-7NN2-NDHN-NGN	60,000	414	145	IP66/67	120-277 VAC	4000K (neutral white)	Glass	Narrow
H6E-7MN2-KDHN-NGN	45,000	309	146	IP66/67	120-277 VAC	4000K (neutral white)	Glass	Medium
H6E-7NN2-KDHN-NGN	45,000	309	146	IP66/67	120-277 VAC	4000K (neutral white)	Glass	Narrow
CE Standard Models - 415 VAC Models								
H6E-7NNC-RDHN-NGN	72,000	506	142	IP66/67	415 VAC	4000K (neutral white)	Glass	Narrow
H6E-7MNC-NDHN-NGN	60,000	431	139	IP66/67	415 VAC	4000K (neutral white)	Glass	Medium
H6E-7NNC-NDHN-NGN	60,000	431	139	IP66/67	415 VAC	4000K (neutral white)	Glass	Narrow
H6E-7MNC-KDHN-NGN	45,000	324	139	IP66/67	415 VAC	4000K (neutral white)	Glass	Medium
H6E-7NNC-KDHN-NGN	45,000	324	139	IP66/67	415 VAC	4000K (neutral white)	Glass	Narrow
UL Standard Models - 100-277 VAC								
H6U-7NN2-RDHN-NGN	72,000	484	149	IP66/67	120-277 VAC	4000K (neutral white)	Glass	Narrow
H6U-7MN2-NDHN-NGN	60000	414	145	IP66/67	120-277 VAC	4000K (neutral white)	Glass	Medium
H6U-7NN2-NDHN-NGN	60,000	414	145	IP66/67	120-277 VAC	4000K (neutral white)	Glass	Narrow
H6U-7MN2-KDHN-NGN	45,000	309	146	IP66/67	120-277 VAC	4000K (neutral white)	Glass	Medium
H6U-7NN2-KDHN-NGN	45,000	309	146	IP66/67	120-277 VAC	4000K (neutral white)	Glass	Narrow

All values typical unless otherwise stated (tolerance +/- 10%).

All models shown in table are 4000K (neutral white) CCT. For 5000K (cool white) CCT replace the 6th character with a **C**. Example: H6E-7NN2-RDHN-NGN becomes H6E-7NC2-RDHN-NGN.

45,000 lumen output fixture available with factory installed occupancy sensor for mounting heights of up to 12m. Consult factory for more information.

Beam Distribution



In Rush Current / Circuit Breakers

Model	Wattage	In rush current @ input voltage			Time duration of in rush current @ input voltage		
		100 VAC	230 VAC	277 VAC	100 VAC	230 VAC	277 VAC
72,000	484	7.7A	14.8A	17.8A	1ms	1ms	1ms
60,000	414	7.7A	14.8A	17.8A	1ms	1ms	1ms
42,000	309	7.7A	14.8A	17.8A	1ms	1ms	1ms

Lumen Maintenance Factor

High Bay High Output (Hours)									
Ambient (°C)	0	15,000	30,000	45,000	60,000	75,000	90,000	100,000	150,000
25°	100%	98%	96%	95%	94%	92%	91%	90%	86%
30°	100%	97%	96%	95%	93%	92%	91%	90%	88%
35°	100%	97%	96%	95%	93%	92%	91%	90%	86%
40°	99%	97%	95%	94%	93%	91%	90%	89%	85%
45°	98%	96%	95%	93%	92%	91%	90%	89%	82%
50°	98%	96%	95%	93%	92%	91%	89%	89%	81%
55°	98%	95%	94%	93%	91%	90%	89%	88%	78%
60°	97%	95%	94%	92%	91%	90%	89%	88%	76%
65°	97%	95%	93%	92%	91%	89%	88%	87%	73%

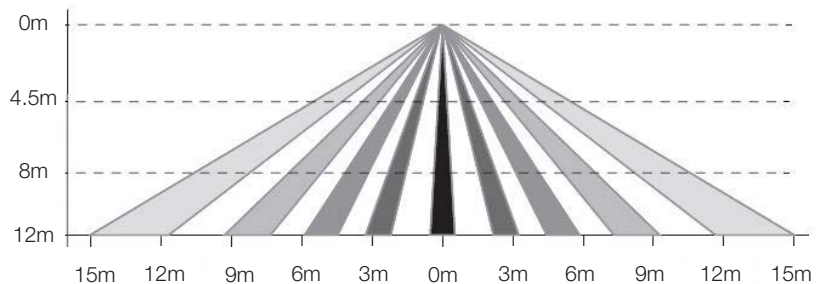
Measured LED temperature for an ambient temperature range of 25°C to 65°C and calculated lumen maintenance using TM-21 calculator and LED LM80 data.

Occupancy Sensor Details



HBXFSIRREMOTE
 • Remote for occupancy sensor

Coverage Side View



North American HQ

1501 Route 34 South
Farmingdale, NJ 07727
Tel: 732-919-3119
Fax: 732-751-5778
info@dialight.com

EMEA Technical Centre

Ejby Industrivej 91 B
2600 Glostrup
Tel: +45 8877 4545 (Denmark)
Tel: +44 1638 666541 (UK)
Tel: +49 89 12089 5713 (Germany)
Tel: +33 3 23 22 62 58 (France)
sales-europe@dialight.com

Houston

16830 Barker Springs Rd
Ste 407
Houston, TX 77084
Tel: 732-919-3119
Fax: 281-492-1531
info@dialight.com

Middle East

Level 42
Emirates Towers (Office Tower)
Sheikh Zayed Road
Dubai, United Arab Emirates
Fax: +971 (0) 4319 7686
Tel: +971 (0) 4319 7686

Australia

108 Howe Street
Osborne Park, WA 6017
Tel: +61 (0) 8 9244 7600
Fax: +61 (0) 8 9244 7601
info@dialight.com.au

Southeast Asia

33 Ubi Avenue 3
#07-72 Vertex (Tower A)
Singapore 408868
Tel: +65 6578 7157
Fax: +65 6578 7150
enquiry@dialight.com.sg

Brazil

Alameda Mercurio,
225 – American Park Empresarial NR
Indaiatuba – SP – 13347– 662
Tel: +55 (19) 3113-4300
Fax: +55 (19) 3113-4300
brasil@dialight.com

ALL VALUES ARE DESIGN OR TYPICAL VALUES WHEN MEASURED UNDER LABORATORY CONDITIONS. THE LIGHTING EFFICIENCY STATEMENTS CONTAINED HEREIN ARE CALCULATED ON A LUMEN PER WATTS BASIS WHEN COMPARING FIXTURES WITH SIMILAR FEATURES. ALL INFORMATION PROVIDED IS ACCURATE AS OF THE DATE OF PUBLICATION, IS SUBJECT TO CHANGE WITHOUT NOTICE AND DOES NOT FORM PART OF ANY CONTRACT WITH DIALIGHT. DIALIGHT DOES NOT WARRANT OR REPRESENT THAT ITS PRODUCTS ARE FIT FOR ANY PARTICULAR PURPOSE AND HAS NO RESPONSIBILITY FOR THE [INAPPROPRIATE/UNAUTHORISED/NON-APPROVED] USE OF ANY DIALIGHT PRODUCTS BY THE END USER.

Dialight reserves the right to make changes at any time in order to supply the best product possible.

The most current version of this document will always be available at: www.dialight.com