

# .....Dialight



## Dialight® LED High Bay

Technical Specification Sheet - UL

### Vigilant® LED High Bay - UL / CSA

#### Corded Model & Integrated Wiring Box Model - 100-277 VAC

##### Corded Model



##### Mechanical Information:

###### Fixture weight:

18 lbs (8.16kg)

###### Shipping weight:

24 lbs (10.8kg)

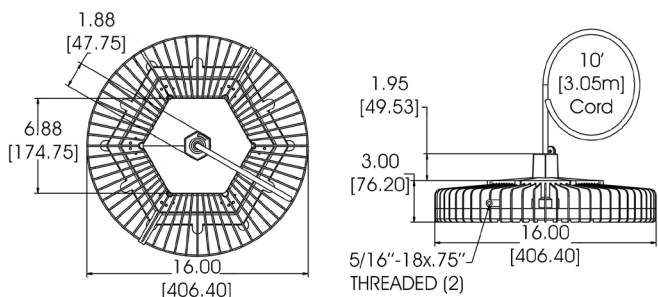
###### Mounting:

3/4" NPT - top  
Various Kits

###### Power Cord:

10' 18 AWG STOOW

Patent pending



##### Integrated Wiring Box Model



##### Mechanical Information:

###### Fixture weight:

20 lbs (9 kg)

###### Shipping weight:

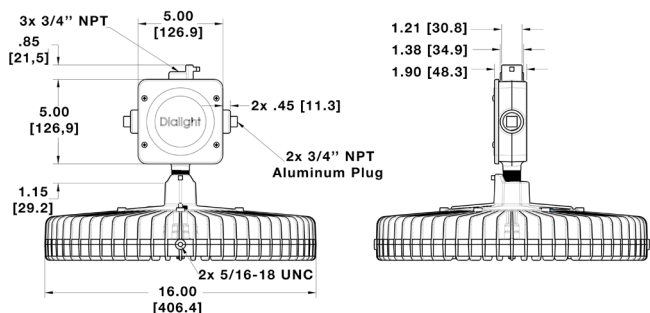
26 lbs (12 kg)

###### Mounting:

3/4" NPT or Hook

###### Wiring Box Cable Entries:

(2x) 3/4" NPT



Dimensions in inches (mm)

**WARNING - INSTALLATION & SECONDARY RETENTION.** Use of any Dialight products without proper installation (including secondary retention / netting) and periodic inspections could cause severe injury or death. Dialight recommends that all installations should use secondary retention / netting (appropriate to the installation environment) where applicable. It is the exclusive responsibility of the contractor, installer and/or end-user to: (a) determine the suitability of the product for its intended application; and, (b) ensure that the product is safely installed (with secondary retention / netting where appropriate) and in compliance with all applicable laws and regulations. To the extent permissible under applicable laws, Dialight disclaims all liability for personal injury and/or other damage resulting from any dislodgment or other dislocation of its products.

##### Certifications & Ratings:

10 year warranty

UL 1598/A

UL 8750

IP66/67 (100-277 Models)

CSA C22.2 No. 250.0-08

NEMA 4X

L70 rated for >150,000 hours

##### Variable Dimming:

Variable Dimming Control: 0-10 VDC

##### Dimming Range:

10 VDC = 100% light output  
0 VDC = <5% light output

##### Occupancy Sensor:

Mounting Height:

Up to 40ft

Ingress Protection:

IP66

##### Electrical Specifications:

###### Operating Voltage:

100-277 VAC  
120-250 VDC

###### Total system power consumption:

See table

###### Operating Temp:

-40°F to +149°F (-40°C to +65°C)

###### Harmonics:

IEC 61000-3-2

###### Noise requirement /EMC:

FCC Title 47, Subpart B, Section 15, class A device. RF Immunity; 10V/m, 80MHz-1GHz

###### Transient protection:

Protection devices capable of handling up to 10kv. Tested for 10kv/2 ohm combination wave, as per IEEE C62.41, line-line and line ground

###### THD:

<20%

###### Power Factor:

>0.9

###### Fusing:

Internal

##### Construction:

###### Housing:

Copper free aluminum

###### Finish:

Superior dual coat finish  
Sealed polyester topcoat  
Chemical-resistant epoxy primer

###### Lens:

See table

##### Photometric Information:

###### CRI:

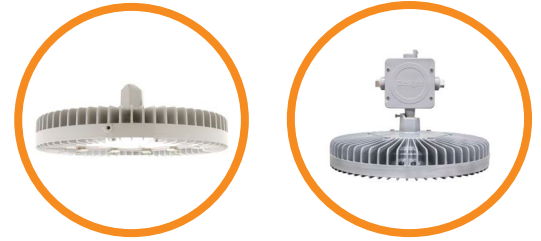
80

###### CCT:

5000K (cool white)  
4000K (neutral white)

All values typical unless otherwise stated (tolerance +/- 10%)

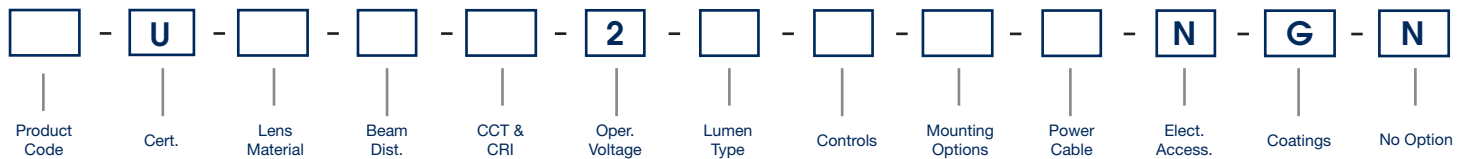
### Vigilant® LED High Bay - UL / CSA Corded & Integrated Wiring Box - 100-277 VAC



Project Information	
Part Number:	
Project:	
Fixture Type:	Date:

Specifications

### Ordering Information



**Product Code**

HC	High Bay Integrated Pendant Wiring Box
HE	High Bay 3/4" NPT

**Certification**

U	UL 1598/A, CSA
---	----------------

**Lens Material**

2	Acrylic - Clear (dry location only)
4	Polycarbonate - Clear
7	Glass - Clear
L	Polycarbonate Dome - Diffused
R	Power Wash Glass, Clear

**Beam Distribution**

E	Oval
M	Medium
N	Narrow
W	Wide

**CCT & CRI**

C	Cool White 5000K - 80 CRI
N	Neutral White 4000K - 80 CRI

**Operating Voltage**

2	100-277 VAC / 120-250 VDC
---	---------------------------

**Lumen Type**

A	11,250 Lumens
B	14,250 Lumens
C	19,250 Lumens
E	26,250 Lumens

**Controls**

D	Dimming (0-10V)
N	No Dimming (HE only)
M	Occupancy Sensor (HC only)

**Mounting Options**

H	Hook
N	Pendant 3/4" NPT
P	Pendant 3/4" NPT with Safety Retention Tabs
R	Safety Retention Tabs with Hook

**Power Cable**

N	No Cord (HC only)
W	10' [3 meter] Power Cable (HE only)

**Electrical Accessories**

N	No Plug
---	---------

**Coatings**

G	Gray (RAL 7040)
---	-----------------

**Option**

N	No Option
---	-----------

- Notes**
- 1) Lumen type based on using a glass lens. See tables for lumens when changing lenses.
  - 2) When ordering occupancy sensor, use prefix HC.
  - 3) When ordering option HC, Controls = (N) No Option or (M) Occupancy Sensor.

**DISCLAIMER.** All product information provided is, to the best of Dialight's knowledge, accurate as of the date of publication. When ordering, refer to [www.dialight.com](http://www.dialight.com) for current versions of: (a) relevant product documentation (including the relevant product data sheets); (b) Dialight terms and conditions of sale; and, (c) the relevant product warranty. To the extent that any contract is deemed formed between Dialight and the purchaser of Dialight products and/or an end-user, versions of documents available at [www.dialight.com](http://www.dialight.com) as at the date of sale shall be the versions incorporated therein. In the event of any discrepancy between this document or information provided at [www.dialight.com](http://www.dialight.com), the latter shall prevail.

# Ordering Information

## Vigilant® LED High Bay - Corded Model



Corded Model - 3/4" Conduit - 100-277 VAC

Part Number	Lumens	Wattage	lm/W	CCT	Lens	Beam Distribution	Controls Option	Hardware Options	Wiring
HEU-7MC2-ENNW-NGN	26,250	186	141	CW	Glass - Clear	Medium	No controls	Pendant 3/4" NPT	10' Power Cable
HEU-7MC2-ENPW-NGN	26,250	186	141	CW	Glass - Clear	Medium	No controls	Pendant 3/4" NPT with Safety Tabs	10' Power Cable
HEU-7WC2-ENNW-NGN	26,250	186	141	CW	Glass - Clear	Wide	No controls	Pendant 3/4" NPT	10' Power Cable
HEU-RMC2-ENNW-NGN	26,250	186	141	CW	Power Wash Glass - Clear	Medium	No controls	Pendant 3/4" NPT	10' Power Cable
HEU-7WC2-ENPW-NGN	26,250	186	141	CW	Glass - Clear	Wide	No controls	Pendant 3/4" NPT with Safety Tabs	10' Power Cable
HEU-7MN2-ENNW-NGN	25,250	186	136	NW	Glass - Clear	Medium	No controls	Pendant 3/4" NPT	10' Power Cable
HEU-4MC2-ENNW-NGN	25,250	186	136	CW	Polycarbonate - Clear	Medium	No controls	Pendant 3/4" NPT	10' Power Cable
HEU-2MC2-ENNW-NGN	25,250	186	136	CW	Acrylic - Clear	Medium	No controls	Pendant 3/4" NPT	10' Power Cable
HEU-LMC2-ENPW-NGN	24,500	186	132	CW	Polycarbonate Dome - Diffused	Medium	No controls	Pendant 3/4" NPT with Safety Tabs	10' Power Cable
HEU-LMC2-ENNW-NGN	24,500	186	132	CW	Polycarbonate Dome - Diffused	Medium	No controls	Pendant 3/4" NPT	10' Power Cable
HEU-7MC2-CNNW-NGN	19,500	129	151	CW	Glass - Clear	Medium	No controls	Pendant 3/4" NPT	10' Power Cable
HEU-7WC2-CNNW-NGN	19,500	129	151	CW	Glass - Clear	Wide	No controls	Pendant 3/4" NPT	10' Power Cable
HEU-7MC2-CNPW-NGN	19,500	129	151	CW	Glass - Clear	Medium	No controls	Pendant 3/4" NPT with Safety Tabs	10' Power Cable
HEU-7WC2-CNWW-NGN	19,500	129	151	CW	Glass - Clear	Wide	No controls	Safety Bracket w/ SS 316 Forward Throw Bracket	10' Power Cable
HEU-4MC2-CNNW-NGN	18,750	129	145	CW	Polycarbonate - Clear	Medium	No controls	Pendant 3/4" NPT	10' Power Cable
HEU-7MN2-CNNW-NGN	18,750	129	145	NW	Glass - Clear	Medium	No controls	Pendant 3/4" NPT	10' Power Cable
HEU-LMC2-CNNW-NGN	18,000	129	140	CW	Polycarbonate Dome - Diffused	Medium	No controls	Pendant 3/4" NPT	10' Power Cable
HEU-7MC2-BNNW-NGN	14,250	102	140	CW	Glass - Clear	Medium	No controls	Pendant 3/4" NPT	10' Power Cable
HEU-7WC2-BNNW-NGN	14,250	102	140	CW	Glass - Clear	Wide	No controls	Pendant 3/4" NPT	10' Power Cable
HEU-7MN2-BNNW-NGN	13,750	102	135	NW	Glass - Clear	Medium	No controls	Pendant 3/4" NPT	10' Power Cable
HEU-4MC2-BNNW-NGN	13,750	102	135	CW	Polycarbonate - Clear	Medium	No controls	Pendant 3/4" NPT	10' Power Cable
HEU-LMC2-BNPW-NGN	13,250	102	130	CW	Polycarbonate Dome - Diffused	Medium	No controls	Pendant 3/4" NPT with Safety Tabs	10' Power Cable
HEU-LMC2-BNNW-NGN	13,250	102	130	CW	Polycarbonate Dome - Diffused	Medium	No controls	Pendant 3/4" NPT	10' Power Cable
HEU-7MC2-ANNW-NGN	11,250	80	141	CW	Glass - Clear	Medium	No controls	Pendant 3/4" NPT	10' Power Cable
HEU-7WC2-ANNW-NGN	11,250	80	141	CW	Glass - Clear	Wide	No controls	Pendant 3/4" NPT	10' Power Cable
HEU-LMC2-ANNW-NGN	10,250	80	128	CW	Polycarbonate Dome - Diffused	Medium	No controls	Pendant 3/4" NPT	10' Power Cable
HEU-4MC2-ANNW-NGN	10,750	80	134	CW	Polycarbonate - Clear	Medium	No controls	Pendant 3/4" NPT	10' Power Cable
HEU-2MC2-ANNW-NGN	10,750	80	134	CW	Acrylic - Clear	Medium	No controls	Pendant 3/4" NPT	10' Power Cable
HEU-LWC2-ANNW-NGN	10,250	80	128	CW	Polycarbonate Dome - Diffused	Wide	No controls	Pendant 3/4" NPT	10' Power Cable

All values typical unless otherwise stated (tolerance +/- 10%)

0-10V dimming option available for products in the above table. Replace the ninth character **N** with **D**. Ex: HEU-7MC2-ENNW-NGN becomes HEU-7MC2-EDNW-NGN.

Acrylic lens is dry location only.

**DISCLAIMER.** All product information provided is, to the best of Dialight's knowledge, accurate as of the date of publication. When ordering, refer to [www.dialight.com](http://www.dialight.com) for current versions of: (a) relevant product documentation (including the relevant product data sheets); (b) Dialight terms and conditions of sale; and, (c) the relevant product warranty. To the extent that any contract is deemed formed between Dialight and the purchaser of Dialight products and/or an end-user, versions of documents available at [www.dialight.com](http://www.dialight.com) as at the date of sale shall be the versions incorporated therein. In the event of any discrepancy between this document or information provided at [www.dialight.com](http://www.dialight.com), the latter shall prevail.



# Ordering Information

## Vigilant® LED High Bay - Integrated Wiring Box Model

Integrated Wiring Box Model - 100-277 VAC									
Part Number	Lumens	Wattage	lm/W	CCT	Lens	Beam Distribution	Controls Option	Hardware Options	Wiring
HCU-7MC2-EDNN-NGN	26,250	186	141	CW	Glass - Clear	Medium	Dimming	Pendant 3/4" NPT	Junction box
HCU-7MC2-EMNN-NGN	26,250	186	141	CW	Glass - Clear	Medium	Occupancy Sensor	Pendant 3/4" NPT	Junction box
HCU-LMC2-EMNN-NGN	24,500	186	132	CW	Polycarbonate Dome - Diffused	Medium	Occupancy Sensor	Pendant 3/4" NPT	Junction box
HCU-LMC2-EDNN-NGN	24,500	186	132	CW	Polycarbonate Dome - Diffused	Medium	Dimming	Pendant 3/4" NPT	Junction box
HCU-7MC2-CMNN-NGN	19,500	129	151	CW	Glass - Clear	Medium	Occupancy Sensor	Pendant 3/4" NPT	Junction box with 10' Power Cable
HCU-7MC2-CDNN-NGN	19,500	129	151	CW	Glass - Clear	Medium	Dimming	Pendant 3/4" NPT	Junction box
HCU-7MC2-CMNN-NGN	19,500	129	151	CW	Glass - Clear	Medium	Occupancy Sensor	Pendant 3/4" NPT	Junction box
HCU-4WC2-CMPW-NGN	18,750	129	145	CW	Polycarbonate - Clear	Wide	Occupancy Sensor	Pendant 3/4" NPT with Safety Tabs	Junction box with 10' Power Cable
HCU-LMC2-CDNN-NGN	18,000	129	140	CW	Polycarbonate Dome - Diffused	Medium	Dimming	Pendant 3/4" NPT	Junction box
HCU-LMC2-CMNN-NGN	18,000	129	140	CW	Polycarbonate Dome - Diffused	Medium	Occupancy Sensor	Pendant 3/4" NPT	Junction box
HCU-7EC2-BMNN-NGN	14,250	102	140	CW	Glass - Clear	Oval	Occupancy Sensor	Pendant 3/4" NPT	Junction box with 10' Power Cable
HCU-7MC2-BDNN-NGN	14,250	102	140	CW	Glass - Clear	Medium	Dimming	Pendant 3/4" NPT	Junction box
HCU-7MC2-BMNN-NGN	14,250	102	140	CW	Glass - Clear	Medium	Occupancy Sensor	Pendant 3/4" NPT	Junction box
HCU-LMC2-BDNN-NGN	13,250	102	130	CW	Polycarbonate Dome - Diffused	Medium	Dimming	Pendant 3/4" NPT	Junction box
HCU-LMC2-BMNN-NGN	13,250	102	130	CW	Polycarbonate Dome - Diffused	Medium	Occupancy Sensor	Pendant 3/4" NPT	Junction box
HCU-7MC2-ADNN-NGN	11,250	80	141	CW	Glass - Clear	Medium	Dimming	Pendant 3/4" NPT	Junction box
HCU-7MC2-AMNN-NGN	11,250	80	141	CW	Glass - Clear	Medium	Occupancy Sensor	Pendant 3/4" NPT	Junction box
HCU-4MC2-AMPW-NGN	10,750	80	134	CW	Polycarbonate - Clear	Medium	Occupancy Sensor	Pendant 3/4" NPT with Safety Tabs	Junction box with 10' Power Cable
HCU-LMC2-ADNN-NGN	10,250	80	128	CW	Polycarbonate Dome - Diffused	Medium	Dimming	Pendant 3/4" NPT	Junction box
HCU-LMC2-AMNN-NGN	10,250	80	128	CW	Polycarbonate Dome - Diffused	Medium	Occupancy Sensor	Pendant 3/4" NPT	Junction box

All values typical unless otherwise stated (tolerance +/- 10%)

**DISCLAIMER.** All product information provided is, to the best of Dialight's knowledge, accurate as of the date of publication. When ordering, refer to [www.dialight.com](http://www.dialight.com) for current versions of: (a) relevant product documentation (including the relevant product data sheets); (b) Dialight terms and conditions of sale; and, (c) the relevant product warranty. To the extent that any contract is deemed formed between Dialight and the purchaser of Dialight products and/or an end-user, versions of documents available at [www.dialight.com](http://www.dialight.com) as at the date of sale shall be the versions incorporated therein. In the event of any discrepancy between this document or information provided at [www.dialight.com](http://www.dialight.com), the latter shall prevail.

### Vigilant® LED High Bay - UL / CSA

#### Wiring Box Model & Passive Power Supply Model - 347 & 480 VAC

##### Wiring Box Model - 347-480 VAC



##### Mechanical Information:

###### Fixture weight:

34 lbs (15.4 kg)

###### Shipping weight:

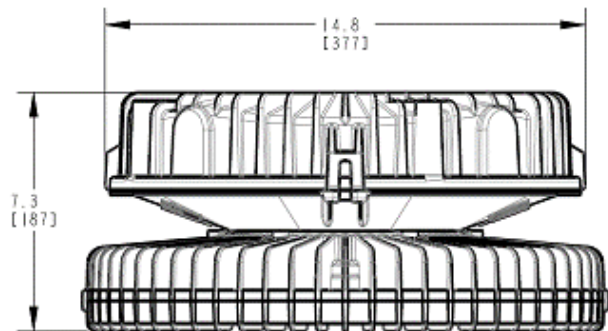
39 lbs (17.7 kg)

###### Mounting:

3/4" NPT - top  
Various Kits

###### Wiring Box Cable Entries:

(4x) 3/4" NPT



##### Passive Power Supply Model - 347 or 480 VAC



##### Mechanical Information:

###### Fixture weight:

40 lbs (18 kg)

###### Shipping weight:

45 lbs (20 kg)

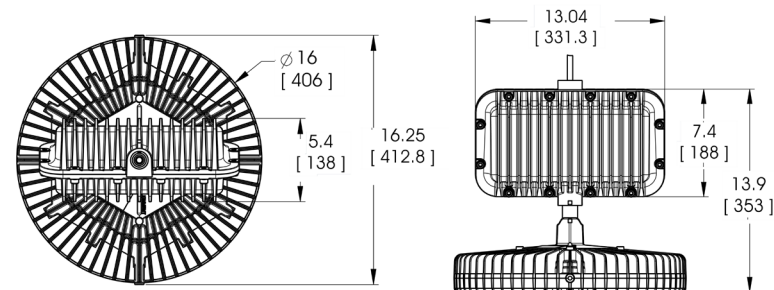
###### Mounting:

3/4" NPT - top  
Various Kits

###### Power cord:

10" 18 AWG ST00W

Patent pending



Dimensions in inches (mm)

##### Certifications & Ratings:

10 year warranty

UL 1598/A

UL 8750

IP66 (347/480V Models)

UL844 CID2 models available (consult factory)

CSA C22.2 No. 250.0-08

NEMA 4X

L70 rated for >150,000 hours

##### Variable Dimming:

Variable Dimming Control: 0-10 VDC

##### Occupancy Sensor:

Mounting Height:

Up to 40ft

Ingress Protection:

IP66

##### Electrical Specifications:

###### Operating Voltage:

347/480 VAC

347 or 480 VAC (Passive only)

###### Total system power consumption:

See table

###### Operating Temp:

-40°F to +149°F (-40°C to +65°C)

###### Harmonics:

IEC 61000-3-2

###### Noise requirement /EMC:

FCC Title 47, Subpart B, Section 15, class A device. RF Immunity; 10V/m, 80MHz-1GHz

###### Transient protection:

Protection devices capable of handling up to 10kv. Tested for 10kv/2 ohm combination wave, as per IEEE C62.41, line-line and line ground

###### THD:

<20%

###### Power Factor:

>0.9

###### Fusing:

Internal

##### Construction:

###### Housing:

Copper free aluminum

###### Finish:

Superior dual coat finish  
Sealed polyester topcoat  
Chemical-resistant epoxy primer

###### Lens:

See table

##### Photometric Information:

###### CRI:

80

###### CCT:

5000K (cool white)  
4000K (neutral white)

All values typical unless otherwise stated (tolerance +/- 10%)

**WARNING - INSTALLATION & SECONDARY RETENTION.** Use of any Dialight products without proper installation (including secondary retention / netting) and periodic inspections could cause severe injury or death. Dialight recommends that all installations should use secondary retention / netting (appropriate to the installation environment) where applicable. It is the exclusive responsibility of the contractor, installer and/or end-user to: (a) determine the suitability of the product for its intended application; and, (b) ensure that the product is safely installed (with secondary retention / netting where appropriate) and in compliance with all applicable laws and regulations. To the extent permissible under applicable laws, Dialight disclaims all liability for personal injury and/or other damage resulting from any dislodgment or other dislocation of its products.

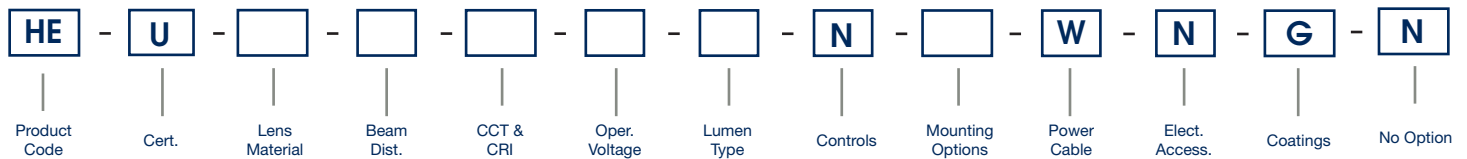
### Vigilant® LED High Bay - UL / CSA Wiring Box Model & Passive Power Supply Model 347 & 480 VAC



Project Information	
Part Number:	
Project:	
Fixture Type:	Date:

Specifications

### Ordering Information



Product Code	Beam Distribution	Lumen Type	Power Cable
HE High Bay Wiring Box	E Oval (Voltage option <b>A</b> only)	A 11,250 Lumens	W 10' (3 meter) Power Cable
	M Medium	B 14,250 Lumens	
	N Narrow (Voltage option <b>A</b> only)	C 18,000 Lumens	
	W Wide (Voltage option <b>A</b> only)	E 27,000 Lumens	
Certification	CCT & CRI	Controls	Electrical Accessories
U UL 1598/A, CSA	C Cool White 5000K - 80 CRI	N No Option	N No Plug
	N Neutral White 4000K - 80 CRI		
Lens Material	Operating Voltage	Mounting Options	Coatings
2 Acrylic - Clear	A 347-480 VAC Step Down Transformer	H Hook (Voltage option <b>P, Q</b> only)	G Gray (RAL 7040)
4 Polycarbonate - Clear	P 480 VAC Passive	N Pendant 3/4" NPT	
7 Glass - Clear	Q 347 VAC Passive	P Pendant 3/4" NPT with Safety Retention Tabs	
L Polycarbonate Dome - Diffused		R Safety Retention Tabs with Hook	
R Power Wash Glass, Clear			<b>Option</b>
			N No Option

Notes
1) Lumen type based on using a glass lens. See tables for lumens when changing lenses.
2) When ordering Operating Voltage <b>A</b> , Mounting Option = <b>(N)</b> Pendant 3/4" NPT.
3) Passive voltage options <b>P, Q</b> must be <b>(M)</b> Medium beam distribution.
4) Occupancy sensor models available for <b>(A)</b> Step Down Transformer, consult factory.

**DISCLAIMER.** All product information provided is, to the best of Dialight's knowledge, accurate as of the date of publication. When ordering, refer to [www.dialight.com](http://www.dialight.com) for current versions of: (a) relevant product documentation (including the relevant product data sheets); (b) Dialight terms and conditions of sale; and, (c) the relevant product warranty. To the extent that any contract is deemed formed between Dialight and the purchaser of Dialight products and/or an end-user, versions of documents available at [www.dialight.com](http://www.dialight.com) as at the date of sale shall be the versions incorporated therein. In the event of any discrepancy between this document or information provided at [www.dialight.com](http://www.dialight.com), the latter shall prevail.

## Ordering Information

### Vigilant® LED High Bay - Wiring Box Model



Wiring Box Model - 347/480 VAC									
Part Number	Lumens	Wattage	lm/W	CCT	Lens	Beam Distribution	Controls Option	Hardware Options	Wiring
HEU-7MCA-ENNW-NGN	27,000	215	126	CW	Glass - Clear	Medium	No controls	Pendant 3/4" NPT	10' Power Cable

All values typical unless otherwise stated (tolerance +/- 10%)

## Ordering Information

### Vigilant® LED High Bay - Passive Power Supply Model



Passive Power Supply Model - 480 VAC									
Part Number	Lumens	Wattage	lm/W	CCT	Lens	Beam Distribution	Controls Option	Hardware Options	Wiring
HEU-7MCP-ENNW-NGN	27,000	206	131	CW	Glass - Clear	Medium	No controls	Pendant 3/4" NPT	10' Power Cable
HEU-7MCP-CNNW-NGN	18,000	129	140	CW	Glass - Clear	Medium	No controls	Pendant 3/4" NPT	10' Power Cable
HEU-7MCP-BNNW-NGN	14,250	116	123	CW	Glass - Clear	Medium	No controls	Pendant 3/4" NPT	10' Power Cable
HEU-7MCP-ANNW-NGN	11,250	73	154	CW	Glass - Clear	Medium	No controls	Pendant 3/4" NPT	10' Power Cable

All values typical unless otherwise stated (tolerance +/- 10%)

347 VAC models also available, consult factory

**DISCLAIMER.** All product information provided is, to the best of Dialight's knowledge, accurate as of the date of publication. When ordering, refer to [www.dialight.com](http://www.dialight.com) for current versions of: (a) relevant product documentation (including the relevant product data sheets); (b) Dialight terms and conditions of sale; and, (c) the relevant product warranty. To the extent that any contract is deemed formed between Dialight and the purchaser of Dialight products and/or an end-user, versions of documents available at [www.dialight.com](http://www.dialight.com) as at the date of sale shall be the versions incorporated therein. In the event of any discrepancy between this document or information provided at [www.dialight.com](http://www.dialight.com), the latter shall prevail.



### Vigilant® LED Low Bay - UL / CSA

#### Corded Model & Integrated Wiring Box Model - 100-277 VAC

##### Corded Model



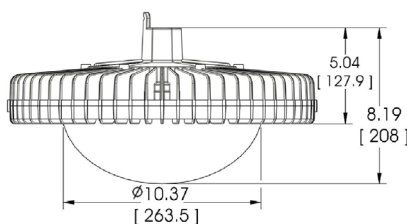
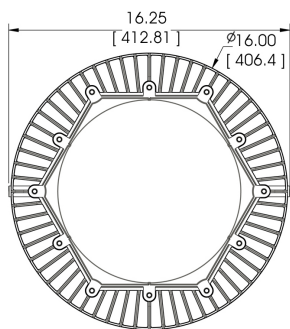
##### Mechanical Information:

**Fixture weight:**  
18 lbs (8.16kg)

**Shipping weight:**  
24 lbs (10.8kg)

**Mounting:**  
3/4" NPT - top  
Various Kits

**Power Cord:**  
10' 18 AWG ST00W



##### Integrated Wiring Box Model



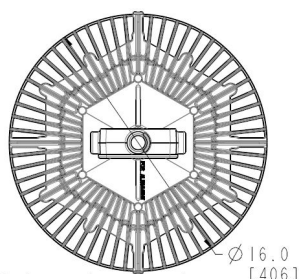
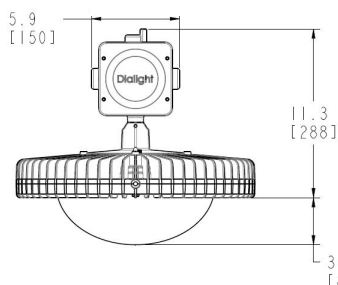
##### Mechanical Information:

**Fixture weight:**  
20 lbs (9 kg)

**Shipping weight:**  
26 lbs (12 kg)

**Mounting:**  
3/4" NPT or Hook  
Various Kits

**Wiring Box Cable Entries:**  
(2x) 3/4" NPT



Dimensions in inches (mm)

**WARNING - INSTALLATION & SECONDARY RETENTION.** Use of any Dialight products without proper installation (including secondary retention / netting) and periodic inspections could cause severe injury or death. Dialight recommends that all installations should use secondary retention / netting (appropriate to the installation environment) where applicable. It is the exclusive responsibility of the contractor, installer and/or end-user to: (a) determine the suitability of the product for its intended application; and, (b) ensure that the product is safely installed (with secondary retention / netting where appropriate) and in compliance with all applicable laws and regulations. To the extent permissible under applicable laws, Dialight disclaims all liability for personal injury and/or other damage resulting from any dislodgment or other dislocation of its products.

##### Certifications & Ratings:

10 year warranty  
UL 1598/A  
UL 8750  
IP66/67 (100-277 Models)

CSA C22.2 No. 250.0-08  
NEMA 4X  
L70 rated for >150,000 hours

##### Variable Dimming:

**Variable Dimming Control:** 0-10 VDC

**Dimming Range:** 10 VDC = 100% light output  
0 VDC = <5% light output

##### Occupancy Sensor:

**Mounting Height:** Up to 40ft  
**Ingress Protection:** IP66

##### Electrical Specifications:

**Operating Voltage:** 100-277 VAC (120-250 VDC)

**Total system power consumption:** See table

**Operating Temp:** -40°F to +149°F (-40°C to +65°C)

**Harmonics:** IEC 61000-3-2

**Noise requirement /EMC:** FCC Title 47, Subpart B, Section 15, class A device. RF Immunity; 10V/m, 80MHz-1GHz

**Transient protection:** Protection devices capable of handling up to 10kv. Tested for 10kv/2 ohm combination wave, as per IEEE C62.41, line-line and line ground

**THD:** 6K-18k lm models: <20%  
4k lm models: <30%

**Power Factor:** >0.9

**Fusing:** Internal

##### Construction:

**Housing:** Copper free aluminum

**Finish:** Superior dual coat finish  
Sealed polyester topcoat  
Chemical-resistant epoxy primer

**Lens:** See table

##### Photometric Information:

**CRI:** 80

**CCT:** 5000K (cool white)  
4000K (neutral white)

All values typical unless otherwise stated (tolerance +/- 10%)

## Vigilant® LED Low Bay - UL / CSA

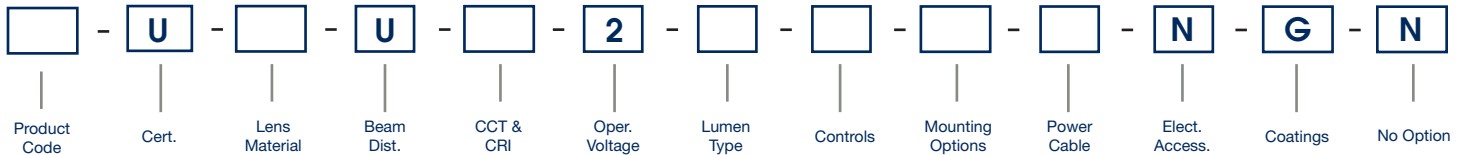
Corded & Integrated Wiring Box - 100-277 VAC



Project Information	
Part Number:	
Project:	
Fixture Type:	Date:

Specifications

### Ordering Information



#### Product Code

- LC Low Bay Integrated Wiring Box
- LE Low Bay

#### Certification

- U UL 1598/A

#### Lens Material

- 2 Acrylic - Clear (dry location only)
- 3 Acrylic - Diffused
- 4 Polycarbonate - Clear
- 5 Polycarbonate - Diffused
- L Polycarbonate Dome - Diffused

#### Beam Distribution

- U Ultra Wide

#### CCT & CRI

- C Cool White 5000K - 80 CRI
- N Neutral White 4000K - 80 CRI

#### Operating Voltage

- 2 100-277 VAC / 120-250 VDC

#### Lumen Type

- 4 4,000 Lumens
- 6 6,000 Lumens
- 9 9,000 Lumens
- B 14,000 Lumens
- C 18,000 Lumens

#### Controls

- D Dimming (0-10V)
- M Occupancy Sensor (LC only)
- N No Option (LE only)

#### Mounting Options

- H Hook
- N Pendant 3/4" NPT
- P Pendant 3/4" NPT with Safety Retention Tabs
- R Safety Retention Tabs with Hook

#### Power Cable

- N No Cord (LC only)
- W 10' [3 meter] Power Cable (LE only)

#### Electrical Accessories

- N No Plug

#### Coatings

- G Gray (RAL 7040)

#### Option

- N No Option

#### Notes

- 1) Lumen type based on using a polycarbonate dome lens. See tables for lumens when changing lenses.
- 2) Acrylic lens dry location only.
- 3) When ordering occupancy sensor, use prefix LC.

**DISCLAIMER.** All product information provided is, to the best of Dialight's knowledge, accurate as of the date of publication. When ordering, refer to [www.dialight.com](http://www.dialight.com) for current versions of: (a) relevant product documentation (including the relevant product data sheets); (b) Dialight terms and conditions of sale; and, (c) the relevant product warranty. To the extent that any contract is deemed formed between Dialight and the purchaser of Dialight products and/or an end-user, versions of documents available at [www.dialight.com](http://www.dialight.com) as at the date of sale shall be the versions incorporated therein. In the event of any discrepancy between this document or information provided at [www.dialight.com](http://www.dialight.com), the latter shall prevail.

# Ordering Information

## Vigilant® LED Low Bay - Corded Model



Corded Model - 3/4" Conduit - 100-277 VAC									
Part Number	Lumens	Wattage	lm/W	CCT	Lens	Beam Distribution	Controls Option	Hardware Options	Power Cable
LEU-LUC2-9NNW-NGN	9,000	80	113	CW	Polycarbonate Dome - Diffused	Ultra Wide	No controls	Pendant 3/4" NPT	10' Power Cable
LEU-LUC2-9NPW-NGN	9,000	80	113	CW	Polycarbonate Dome - Diffused	Ultra Wide	No controls	Pendant 3/4" NPT with Safety Tabs	10' Power Cable
LEU-LUN2-9NNW-NGN	8,750	80	109	NW	Polycarbonate Dome - Diffused	Ultra Wide	No controls	Pendant 3/4" NPT	10' Power Cable
LEU-LUC2-6NNW-NGN	6,000	56	107	CW	Polycarbonate Dome - Diffused	Ultra Wide	No controls	Pendant 3/4" NPT	10' Power Cable
LEU-LUN2-6NNW-NGN	5,800	56	104	NW	Polycarbonate Dome - Diffused	Ultra Wide	No controls	Pendant 3/4" NPT	10' Power Cable
LEU-LUC2-4NNW-NGN	4,000	42	95	CW	Polycarbonate Dome - Diffused	Ultra Wide	No controls	Pendant 3/4" NPT	10' Power Cable
LEU-LUN2-4NNW-NGN	3,900	42	93	NW	Polycarbonate Dome - Diffused	Ultra Wide	No controls	Pendant 3/4" NPT	10' Power Cable

All values typical unless otherwise stated (tolerance +/- 10%)

0-10V dimming option available for products in the above table. Replace the ninth character **N** with **D**. Ex: LEU-LUC2-9**N**NW-NGN becomes LEU-LUC2-9**D**NW-NGN.

# Ordering Information

## Vigilant® LED Low Bay - Integrated Wiring Box Model



Integrated Wiring Box Model - 100-277 VAC									
Part Number	Lumens	Wattage	lm/W	CCT	Lens	Beam Distribution	Controls Option	Hardware Options	Power Cable
LCU-LUC2-9DNW-NGN	9,000	80	113	CW	Polycarbonate Dome - Diffused	Ultra Wide	Dimming	Pendant 3/4" NPT	10' Power Cable
LCU-LUC2-6MNW-NGN	6,000	56	107	CW	Polycarbonate Dome - Diffused	Ultra Wide	Occupancy Sensor	Pendant 3/4" NPT	10' Power Cable
LCU-LUC2-4MNW-NGN	4,000	42	95	CW	Polycarbonate Dome - Diffused	Ultra Wide	Occupancy Sensor	Pendant 3/4" NPT	10' Power Cable

All values typical unless otherwise stated (tolerance +/- 10%)

Specification sheets with additional options available, with extended lead times, are available on page 10

**DISCLAIMER.** All product information provided is, to the best of Dialight's knowledge, accurate as of the date of publication. When ordering, refer to [www.dialight.com](http://www.dialight.com) for current versions of: (a) relevant product documentation (including the relevant product data sheets); (b) Dialight terms and conditions of sale; and, (c) the relevant product warranty. To the extent that any contract is deemed formed between Dialight and the purchaser of Dialight products and/or an end-user, versions of documents available at [www.dialight.com](http://www.dialight.com) as at the date of sale shall be the versions incorporated therein. In the event of any discrepancy between this document or information provided at [www.dialight.com](http://www.dialight.com), the latter shall prevail.

# Vigilant® LED Low Bay - UL / CSA

## Wiring Box Model - 347-480 VAC



### Mechanical Information:

**Fixture weight:**

34 lbs (15.4 kg)

**Shipping weight:**

39 lbs (17.7 kg)

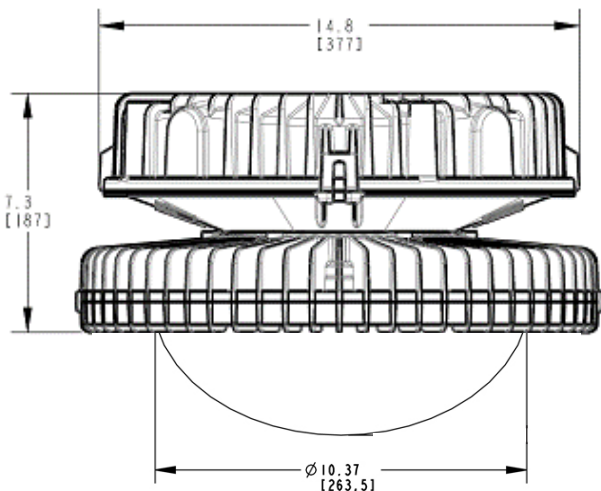
**Mounting:**

3/4" NPT - top

Various Kits

**Wiring Box Cable Entries:**

(4x) 3/4" NPT



Dimensions in inches (mm)

### Certifications & Ratings:

10 year warranty

UL 1598/A (wet locations)

UL 8750

IP66 (347/480V Models)

CSA C22.2 No. 250.0-08

NEMA 4X

L70 rated for >150,000 hours

### Variable Dimming:

**Variable Dimming Control:** 0-10 VDC

**Dimming Range:**

10 VDC = 100% light output

0 VDC = <5% light output

### Occupancy Sensor:

Mounting Height:

Up to 40ft

Ingress Protection:

IP66

### Electrical Specifications:

**Operating Voltage:**

347-480 VAC (Top Hat Models)

**Total system power consumption:**

See table

**Operating Temp:**

-40°F to +149°F (-40°C to +65°C)

**Harmonics:**

IEC 61000-3-2

**Noise requirement /EMC:**

FCC Title 47, Subpart B, Section 15, class A device. RF Immunity; 10V/m, 80MHz-1GHz

**Transient protection:**

Protection devices capable of handling up to 10kv. Tested for 10kv/2 ohm combination wave, as per IEEE C62.41, line-line and line ground

**THD:**

6K-18k lm models: <20%

4k lm models: <30%

**Power Factor:**

>0.9

**Fusing:**

Internal

### Construction:

**Housing:**

Copper free aluminum

**Finish:**

Superior dual coat finish

Sealed polyester topcoat

Chemical-resistant epoxy primer

**Lens:**

See table

### Photometric Information:

**CRI:**

80

**CCT:**

5000K (cool white)

4000K (neutral white)

All values typical unless otherwise stated (tolerance +/- 10%)

**WARNING - INSTALLATION & SECONDARY RETENTION.** Use of any Dialight products without proper installation (including secondary retention / netting) and periodic inspections could cause severe injury or death. Dialight recommends that all installations should use secondary retention / netting (appropriate to the installation environment) where applicable. It is the exclusive responsibility of the contractor, installer and/or end-user to: (a) determine the suitability of the product for its intended application; and, (b) ensure that the product is safely installed (with secondary retention / netting where appropriate) and in compliance with all applicable laws and regulations. To the extent permissible under applicable laws, Dialight disclaims all liability for personal injury and/or other damage resulting from any dislodgment or other dislocation of its products.



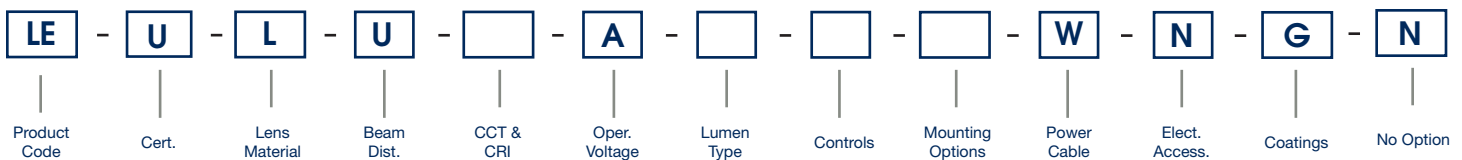
# Vigilant® LED Low Bay - UL / CSA

## Wiring Box Model - 347-480 VAC

Project Information	
Part Number:	
Project:	
Fixture Type:	Date:

Specifications

### Ordering Information



#### Product Code

LE Low Bay Wiring Box

#### Beam Distribution

U Ultra Wide

#### Lumen Type

6 6,000 Lumens  
9 9,000 Lumens

#### Power Cable

W 10' (3 meter) Power Cable

#### Certification

U UL 1598/A, CSA

#### CCT & CRI

C Cool White 5000K - 80 CRI  
N Neutral White 4000K - 80 CRI

#### Controls

D Dimming  
N No Option

#### Electrical Accessories

N No Plug

#### Lens Material

L Polycarbonate Dome - Diffused

#### Operating Voltage

A 347-480 VAC Step Down Transformer

#### Mounting Options

H Hook  
N Pendant 3/4" NPT  
P Pendant 3/4" NPT with Safety Retention Tabs  
R Safety Retention Tabs with Hook

#### Coatings

G Gray (RAL 7040)

#### Notes

1) Lumen type based on using a polycarbonate dome lens and cool white LEDs. See tables for lumens when changing lenses.

**DISCLAIMER.** All product information provided is, to the best of Dialight's knowledge, accurate as of the date of publication. When ordering, refer to [www.dialight.com](http://www.dialight.com) for current versions of: (a) relevant product documentation (including the relevant product data sheets); (b) Dialight terms and conditions of sale; and, (c) the relevant product warranty. To the extent that any contract is deemed formed between Dialight and the purchaser of Dialight products and/or an end-user, versions of documents available at [www.dialight.com](http://www.dialight.com) as at the date of sale shall be the versions incorporated therein. In the event of any discrepancy between this document or information provided at [www.dialight.com](http://www.dialight.com), the latter shall prevail.

# Ordering Information

## Vigilant® LED Low Bay - Wiring Box Model



Wiring Box Model - 347-480 VAC									
Part Number	Lumens	Wattage	lm/W	CCT	Lens	Beam Distribution	Controls Option	Hardware Options	Power Cable
LEU-LUCA-9NNW-NGN	9,000	109	83	CW	Polycarbonate Dome - Diffused	Ultra Wide	No controls	Pendant 3/4" NPT	10' Power Cable
LEU-LUCA-9DNW-NGN	9,000	109	83	CW	Polycarbonate Dome - Diffused	Ultra Wide	Dimming	Pendant 3/4" NPT	10' Power Cable
LEU-LUCA-6NNW-NGN	6,000	85	71	CW	Polycarbonate Dome - Diffused	Ultra Wide	No controls	Pendant 3/4" NPT	10' Power Cable
LEU-LUCA-6DNW-NGN	6,000	85	71	CW	Polycarbonate Dome - Diffused	Ultra Wide	Dimming	Pendant 3/4" NPT	10' Power Cable
LEU-LUNA-6NNW-NGN	5,800	85	68	NW	Polycarbonate Dome - Diffused	Ultra Wide	No controls	Pendant 3/4" NPT	10' Power Cable

All values typical unless otherwise stated (tolerance +/- 10%)

**DISCLAIMER.** All product information provided is, to the best of Dialight's knowledge, accurate as of the date of publication. When ordering, refer to [www.dialight.com](http://www.dialight.com) for current versions of: (a) relevant product documentation (including the relevant product data sheets); (b) Dialight terms and conditions of sale; and, (c) the relevant product warranty. To the extent that any contract is deemed formed between Dialight and the purchaser of Dialight products and/or an end-user, versions of documents available at [www.dialight.com](http://www.dialight.com) as at the date of sale shall be the versions incorporated therein. In the event of any discrepancy between this document or information provided at [www.dialight.com](http://www.dialight.com), the latter shall prevail.

# SafeSite® LED High Bay - UL / CSA

## Class I, Div. 1 and Class I, Zone 1 - 100-277 VAC



### Mechanical Information:

**Fixture weight:**  
30 lbs (14 kg)

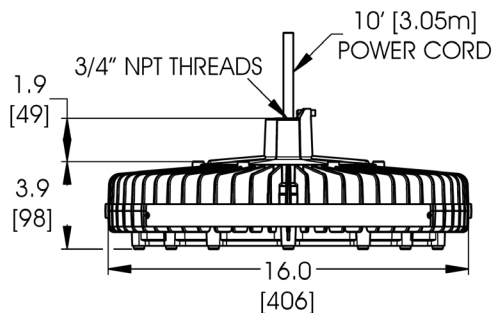
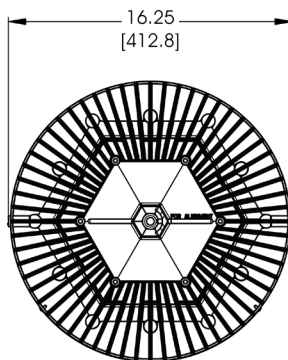
**Shipping weight:**  
35 lbs (19 kg)

**Mounting:**  
3/4" NPT - top  
Various Kits

**Power Cord:**  
10' 18 AWG STOOW

Class I, Div. 1 Groups C, D  
Class I, Div. 1 Groups B, C, D  
Class I Zone 1, Groups IIB  
Class I, Div. 2 Groups C, D  
Class II, Div. 1 Groups E, F, G  
Class II, Div. 2 Groups F, G

\*Group B applies to HEP models only



Dimensions in inches (mm)

### Temperature Ratings:

**Ambient Temp Range**  
**T4 Temp Code:** -40°F to +149°F (-40°C to +65°C)

**Ambient Temp Range**  
**T5 Temp Code:** -40°F to +131°F (-40°C to +50°C)

### Certifications & Ratings:

10 year warranty  
UL 844 (wet locations) NEMA 4X  
CSA 22.2 No. 137-M81 UL 8750  
IP66/67 (100-277 Models) L70 rated for >150,000 hours

### Variable Dimming:

**Variable Dimming Control:** 0-10 VDC

**Dimming Range:** 10 VDC = 100% light output  
0 VDC = <5% light output

### Electrical Specifications:

**Operating voltage:** 100-277 VAC, 120-250 VDC

**Power consumption:** See table

**Operating temp:** -40°F to +149°F (-40°C to +65°C)

**Harmonics:** IEC 61000-3-2

**Noise requirement /EMC:** FCC Title 47, Subpart B, Section 15, Class A device. RF Immunity; 10V/m, 80MHz-1GHz

**Transient protection:** Protection devices capable of handling up to 6kA. Tested with 10kv/2 ohm combination wave, as per IEEE C62.41, line-line and line-ground

**THD:** < 20%

**Power factor:** >0.9

**Cabling:** STOOW 1.02mm 18 gauge AWG

**Fusing:** Internal

### Construction:

**Housing:** Copper free aluminum

**Finish:** Superior dual coat finish  
Sealed polyester topcoat  
Chemical-resistant epoxy primer

**Lens:** See table

### Photometric Information:

**CRI:** 80

**CCT:** 5000K (cool white)  
4000K (neutral white)

All values typical unless otherwise stated (tolerance +/- 10%)

**WARNING - INSTALLATION & SECONDARY RETENTION.** Use of any Dialight products without proper installation (including secondary retention / netting) and periodic inspections could cause severe injury or death. Dialight recommends that all installations should use secondary retention / netting (appropriate to the installation environment) where applicable. It is the exclusive responsibility of the contractor, installer and/or end-user to: (a) determine the suitability of the product for its intended application; and, (b) ensure that the product is safely installed (with secondary retention / netting where appropriate) and in compliance with all applicable laws and regulations. To the extent permissible under applicable laws, Dialight disclaims all liability for personal injury and/or other damage resulting from any dislodgment or other dislocation of its products.

# SafeSite® LED High Bay - UL / CSA

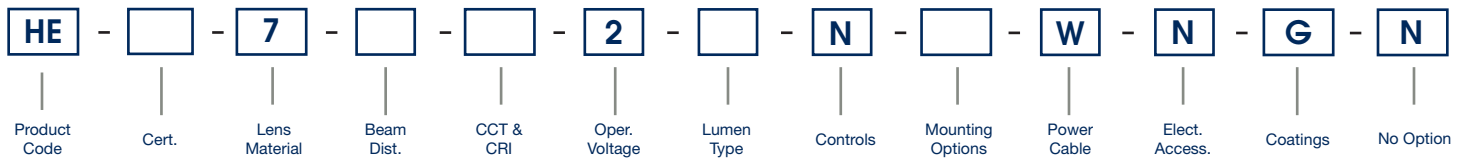
## Class I, Div. 1 and Class I, Zone 1 - 100-277 VAC



Project Information	
Part Number:	
Project:	
Fixture Type:	Date:

Specifications

### Ordering Information



Product Code	Beam Distribution	Lumen Type	Power Cable
HE High Bay 3/4" NPT	E Oval	A 9,500 Lumens	W 10' [3 meter] Power Cable
	M Medium	B 12,500 Lumens	
	N Narrow	C 16,000 Lumens	
	W Wide	E 23,500 Lumens	
Certification	CCT & CRI	Controls	Electrical Accessories
C UL 844, CID1, Class I, Zone 1	C Cool White 5000K - 80 CRI	N No Option	N No Plug
M UL 844, CID1 Paint Spray Class I, Zone 1	N Neutral White 4000K - 80 CRI		
P UL 844, CID1 Group B, Class I, Zone 1			
Lens Material	Operating Voltage	Mounting Options	Coatings
7 Glass - Clear	2 100-277 VAC / 120-250 VDC	N Pendant 3/4" NPT	G Gray (RAL 7040)
		P Pendant 3/4" NPT with Safety Retention Tabs	
			Option
			N No Option

**Notes**  
 1) Lumen type based on using a glass lens. See tables for lumens when changing lenses.

**DISCLAIMER.** All product information provided is, to the best of Dialight's knowledge, accurate as of the date of publication. When ordering, refer to [www.dialight.com](http://www.dialight.com) for current versions of: (a) relevant product documentation (including the relevant product data sheets); (b) Dialight terms and conditions of sale; and, (c) the relevant product warranty. To the extent that any contract is deemed formed between Dialight and the purchaser of Dialight products and/or an end-user, versions of documents available at [www.dialight.com](http://www.dialight.com) as at the date of sale shall be the versions incorporated therein. In the event of any discrepancy between this document or information provided at [www.dialight.com](http://www.dialight.com), the latter shall prevail.



# Ordering Information

## SafeSite® LED High Bay

### Class I, Div. 1 and Class I, Zone 1 - 100-277 VAC



Class I, Div. 1 and Class I, Zone 1 - 100-277 VAC										
Part Number	Lumens	Wattage	lm/W	Certification	CCT	Lens	Beam Distribution	Controls Option	Hardware Options	Wiring
HEC-7WC2-ENNW-NGN	23,500	186	126	CID1	CW	Glass - Clear	Wide	No controls	Pendant 3/4" NPT	10' Power Cable
HEC-7MC2-ENPW-NGN	23,500	186	126	CID1	CW	Glass - Clear	Medium	No controls	Pendant 3/4" NPT with Safety Tabs	10' Power Cable
HEM-7MC2-ENNW-NGN	23,500	186	126	Paint Spray	CW	Glass - Clear	Medium	No controls	Pendant 3/4" NPT	10' Power Cable
HEC-7MC2-CNNW-NGN	16,000	129	124	CID1	CW	Glass - Clear	Medium	No controls	Pendant 3/4" NPT	10' Power Cable
HEC-7WC2-CNPW-NGN	16,000	129	124	CID1	CW	Glass - Clear	Wide	No controls	Safety Bracket w/ SS 316 Forward Throw Bracket	10' Power Cable
HEC-7MC2-CNPW-NGN	16,000	129	124	CID1	CW	Glass - Clear	Medium	No controls	Pendant 3/4" NPT with Safety Tabs	10' Power Cable
HEC-7WC2-CNTW-NGN	16,000	129	124	CID1	CW	Glass - Clear	Wide	No controls	Safety Bracket w/ Locking Swivel Mount/Bracket SS316	10' Power Cable
HEC-7WC2-CNNW-NGN	16,000	129	124	CID1	CW	Glass - Clear	Wide	No controls	Pendant 3/4" NPT	10' Power Cable
HEC-7WC2-CNPW-NGN	16,000	129	124	CID1	CW	Glass - Clear	Wide	No controls	Pendant 3/4" NPT with Safety Tabs	10' Power Cable
HEM-7MC2-CNNW-NGN	16,000	129	124	Paint Spray	CW	Glass - Clear	Medium	No controls	Pendant 3/4" NPT	10' Power Cable
HEC-7MC2-BNNW-NGN	12,500	102	123	CID1	CW	Glass - Clear	Medium	No controls	Pendant 3/4" NPT	10' Power Cable
HEC-7WC2-BNPW-NGN	12,500	102	123	CID1	CW	Glass - Clear	Wide	No controls	Pendant 3/4" NPT with Safety Tabs	10' Power Cable
HEM-7WC2-BNNW-NGN	12,500	102	123	Paint Spray	CW	Glass - Clear	Wide	No controls	Pendant 3/4" NPT	10' Power Cable
HEC-7WC2-BNNW-NGN	12,500	102	123	CID1	CW	Glass - Clear	Wide	No controls	Pendant 3/4" NPT	10' Power Cable
HEC-7MC2-BNPW-NGN	12,500	102	123	CID1	CW	Glass - Clear	Medium	No controls	Pendant 3/4" NPT with Safety Tabs	10' Power Cable
HEM-7WN2-ANNW-NGN	9,500	80	119	Paint Spray	NW	Glass - Clear	Wide	No controls	Pendant 3/4" NPT	10' Power Cable
HEC-7MC2-ANNW-NGN	9,500	80	119	CID1	CW	Glass - Clear	Medium	No controls	Pendant 3/4" NPT	10' Power Cable
HEC-7WC2-ANNW-NGN	9,500	80	119	CID1	CW	Glass - Clear	Wide	No controls	Pendant 3/4" NPT	10' Power Cable
HEC-7MN2-ANNW-NGN	9,250	80	116	CID1	NW	Glass - Clear	Medium	No controls	Pendant 3/4" NPT	10' Power Cable

All values typical unless otherwise stated (tolerance +/- 10%)

0-10V dimming option available for products in the above table. Replace the ninth character **N** with **D**. Ex: HEC-7WC2-**EN**NW-NGN becomes HEC-7WC2-**ED**NW-NGN.

**DISCLAIMER.** All product information provided is, to the best of Dialight's knowledge, accurate as of the date of publication. When ordering, refer to [www.dialight.com](http://www.dialight.com) for current versions of: (a) relevant product documentation (including the relevant product data sheets); (b) Dialight terms and conditions of sale; and, (c) the relevant product warranty. To the extent that any contract is deemed formed between Dialight and the purchaser of Dialight products and/or an end-user, versions of documents available at [www.dialight.com](http://www.dialight.com) as at the date of sale shall be the versions incorporated therein. In the event of any discrepancy between this document or information provided at [www.dialight.com](http://www.dialight.com), the latter shall prevail.

# SafeSite® LED High Bay - UL / CSA

## Class I, Div. 2 and Class I, Zone 2 - 100-277 VAC

### Corded Model



#### Mechanical Information:

##### Fixture weight:

18 lbs (8.16kg)

##### Shipping weight:

24 lbs (10.8kg)

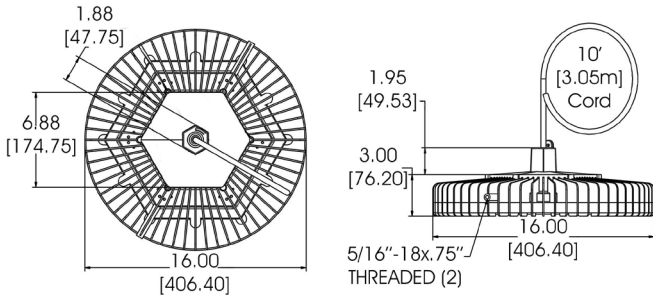
##### Mounting:

3/4" NPT - top  
Various Kits

##### Power Cord:

10' 18 AWG ST00W

Patent pending



### Integrated Wiring Box Model



#### Mechanical Information:

##### Fixture weight:

20 lbs (9 kg)

##### Shipping weight:

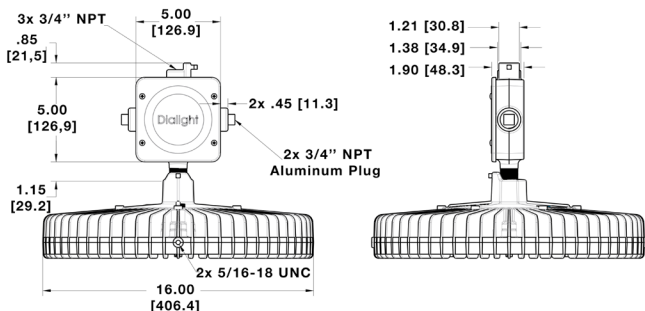
26 lbs (12 kg)

##### Mounting:

3/4" NPT or Hook

##### Wiring Box Cable Entries:

(2x) 3/4" NPT



Dimensions in inches (mm)

**WARNING - INSTALLATION & SECONDARY RETENTION.** Use of any Dialight products without proper installation (including secondary retention / netting) and periodic inspections could cause severe injury or death. Dialight recommends that all installations should use secondary retention / netting (appropriate to the installation environment) where applicable. It is the exclusive responsibility of the contractor, installer and/or end-user to: (a) determine the suitability of the product for its intended application; and, (b) ensure that the product is safely installed (with secondary retention / netting where appropriate) and in compliance with all applicable laws and regulations. To the extent permissible under applicable laws, Dialight disclaims all liability for personal injury and/or other damage resulting from any dislodgment or other dislocation of its products.

#### Temperature Ratings:

##### Ambient Temp Range

**T4 Temp Code:** -40°F to +149°F (-40°C to +65°C)

##### Ambient Temp Range

**T5 Temp Code:** -40°F to +131°F (-40°C to +50°C)

#### Certifications & Ratings:

10 year warranty  
UL 844 (wet locations) NEMA 4X  
CSA 22.2 No. 137-M81 UL 8750  
IP66/67 (100-277 Models) L70 rated for >150,000 hours  
Class I, Div. 2 Groups A, B, C, D  
Class I, Zone 2, Group IIC  
Class II, Div. 1 Groups E, F, G  
Class II, Div. 2 Groups F, G  
Class III, Div. 1 & 2

#### Variable Dimming:

**Variable Dimming Control:** 0-10 VDC

##### Dimming Range:

10 VDC = 100% light output  
0 VDC = <5% light output

#### Electrical Specifications:

**Operating voltage:** 100-277 VAC, 120-250 VDC

**Power consumption:** See table

##### Operating temp:

-40°F to +149°F (-40°C to +65°C)

##### Harmonics:

IEC 61000-3-2

##### Noise requirement /EMC:

FCC Title 47, Subpart B, Section 15,  
Class A device. RF Immunity; 10V/m,  
80MHz-1GHz

##### Transient protection:

Protection devices capable of handling  
up to 6kA. Tested with 10kv/2 ohm  
combination wave, as per IEEE C62.41,  
line-line and line-ground

##### THD:

< 20%

##### Power factor:

>0.9

##### Fusing:

Internal

#### Construction:

##### Housing:

Copper free aluminum

##### Finish:

Superior dual coat finish  
Sealed polyester topcoat  
Chemical-resistant epoxy primer

##### Lens:

See table

#### Photometric Information:

##### CRI:

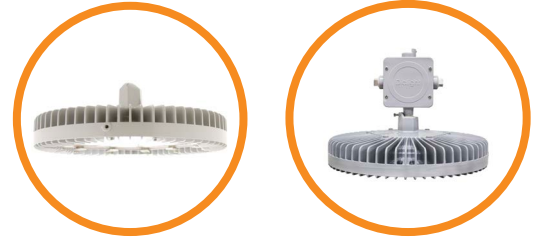
80

##### CCT:

5000K (cool white)  
4000K (neutral white)

All values typical unless otherwise stated (tolerance +/- 10%)

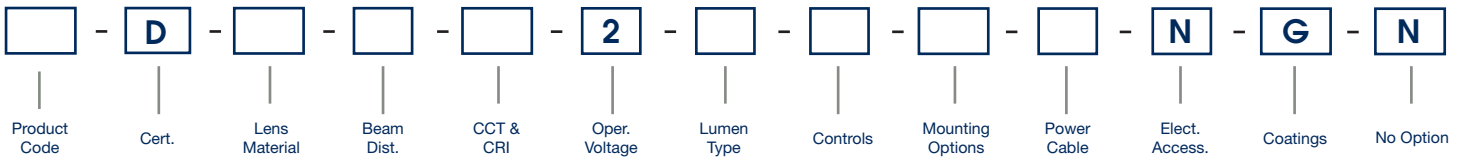
### SafeSite® LED High Bay - UL / CSA Class I, Div. 2 and Class I, Zone 2 - 100-277 VAC



Project Information	
Part Number:	
Project:	
Fixture Type:	Date:

Specifications

### Ordering Information



**Product Code**

HC	High Bay Integrated Pendant Wiring Box
HE	High Bay 3/4" NPT

**Certification**

D	UL 844 CID2, CII, CIII Class I, Zone 2
---	--

**Lens Material**

4	Polycarbonate - Clear
7	Glass - Clear
L	Polycarbonate Dome - Diffused
R	Power Wash Glass, Clear

**Beam Distribution**

E	Oval
M	Medium
N	Narrow
W	Wide

**CCT & CRI**

C	Cool White 5000K - 80 CRI
N	Neutral White 4000K - 80 CRI

**Operating Voltage**

2	100-277 VAC / 120-250 VDC
---	---------------------------

**Lumen Type**

A	11,250 Lumens
B	14,250 Lumens
C	19,500 Lumens
E	26,250 Lumens

**Controls**

D	Dimming (0-10V)
N	No Option

**Mounting Options**

H	Hook (HC only)
N	Pendant 3/4" NPT
P	Pendant 3/4" NPT with Safety Retention Tabs
R	Safety Retention Tabs with Hook (HC only)

**Power Cable**

N	No Cord (HC only)
W	10' [3 meter] Power Cable (HE only)

**Electrical Accessories**

N	No Plug
---	---------

**Coatings**

G	Gray (RAL 7040)
---	-----------------

**Option**

N	No Option
---	-----------

**Notes**

- 1) Lumen type based on using a glass lens. See tables for lumens when changing lenses.
- 2) Acrylic lens dry location only.

**DISCLAIMER.** All product information provided is, to the best of Dialight's knowledge, accurate as of the date of publication. When ordering, refer to [www.dialight.com](http://www.dialight.com) for current versions of: (a) relevant product documentation (including the relevant product data sheets); (b) Dialight terms and conditions of sale; and, (c) the relevant product warranty. To the extent that any contract is deemed formed between Dialight and the purchaser of Dialight products and/or an end-user, versions of documents available at [www.dialight.com](http://www.dialight.com) as at the date of sale shall be the versions incorporated therein. In the event of any discrepancy between this document or information provided at [www.dialight.com](http://www.dialight.com), the latter shall prevail.

# Ordering Information

## Class I, Div. 2 and Class I, Zone 2 - 100-277 VAC



Corded Model - Class I, Div. 2 and Class I, Zone 2 - 100-277 VAC

Part Number	Lumens	Wattage	lm/W	CCT	Lens	Beam Distribution	Controls Option	Hardware Options	Wiring
HED-7WC2-ENNW-NGN	26,250	186	141	CW	Glass - Clear	Wide	No controls	Pendant 3/4" NPT	10' Power Cable
HED-7MC2-ENPW-NGN	26,250	186	141	CW	Glass - Clear	Medium	No controls	Pendant 3/4" NPT with Safety Tabs	10' Power Cable
HED-7WC2-ENPW-NGN	26,250	186	141	CW	Glass - Clear	Wide	No controls	Pendant 3/4" NPT with Safety Tabs	10' Power Cable
HED-7WC2-ENTW-NGN	26,250	186	141	CW	Glass - Clear	Wide	No controls	Safety Bracket w/ Locking Swivel Mount/ Bracket SS316	10' Power Cable
HED-7MC2-ENNW-NGN	26,250	186	141	CW	Glass - Clear	Medium	No controls	Pendant 3/4" NPT	10' Power Cable
HED-7WC2-ENWV-NGN	26,250	186	141	CW	Glass - Clear	Wide	No controls	Safety Bracket w/ SS 316 Forward Throw Bracket	10' Power Cable
HED-4MC2-ENNW-NGN	25,250	186	136	CW	Polycarbonate - Clear	Medium	No controls	Pendant 3/4" NPT	10' Power Cable
HED-7WC2-CNWV-NGN	19,500	129	151	CW	Glass - Clear	Wide	No controls	Safety Bracket w/ SS 316 Forward Throw Bracket	10' Power Cable
HED-7MC2-CNPW-NGN	19,500	129	151	CW	Glass - Clear	Medium	No controls	Safety Tabs	10' Power Cable
HED-7WC2-CNNW-NGN	19,500	129	151	CW	Glass - Clear	Wide	No controls	Pendant 3/4" NPT	10' Power Cable
HED-7WC2-CNTW-NGN	19,500	129	151	CW	Glass - Clear	Wide	No controls	Safety Bracket w/ Locking Swivel Mount/ Bracket SS316	10' Power Cable
HED-4MC2-CNNW-NGN	18,750	129	145	CW	Polycarbonate - Clear	Medium	No controls	Pendant 3/4" NPT	10' Power Cable
HED-7MC2-CNNW-NGN	19,500	129	151	CW	Glass - Clear	Medium	No controls	Pendant 3/4" NPT	10' Power Cable
HED-7MC2-BNNW-NGN	14,250	102	140	CW	Glass - Clear	Medium	No controls	Pendant 3/4" NPT	10' Power Cable
HED-7WC2-BNPW-NGN	14,250	102	140	CW	Glass - Clear	Wide	No controls	Pendant 3/4" NPT with Safety Tabs	10' Power Cable
HED-7MC2-BNPW-NGN	14,250	102	140	CW	Glass - Clear	Medium	No controls	Pendant 3/4" NPT with Safety Tabs	10' Power Cable
HED-7MN2-BNPW-NGN	13,750	102	135	NW	Glass - Clear	Medium	No controls	Pendant 3/4" NPT with Safety Tabs	10' Power Cable
HED-7WC2-BNNW-NGN	14,250	102	140	CW	Glass - Clear	Wide	No controls	Pendant 3/4" NPT	10' Power Cable
HED-4MC2-BNNW-NGN	13,750	102	135	CW	Polycarbonate - Clear	Medium	No controls	Pendant 3/4" NPT	10' Power Cable
HED-7MC2-ANNW-NGN	11,250	80	141	CW	Glass - Clear	Medium	No controls	Pendant 3/4" NPT	10' Power Cable
HED-7MC2-ANPW-NGN	11,250	80	141	CW	Glass - Clear	Medium	No controls	Pendant 3/4" NPT with Safety Tabs	10' Power Cable
HED-7WC2-ANNW-NGN	11,250	80	141	CW	Glass - Clear	Wide	No controls	Pendant 3/4" NPT	10' Power Cable
HED-4MC2-ANNW-NGN	10,750	80	134	CW	Polycarbonate - Clear	Medium	No controls	Pendant 3/4" NPT	10' Power Cable
HED-5MC2-ANNW-NGN	10,500	80	131	CW	Polycarbonate - Diffused	Medium	No controls	Pendant 3/4" NPT	10' Power Cable

All values typical unless otherwise stated (tolerance +/- 10%)

0-10V dimming option available for products in the above table. Replace the ninth character **N** with **D**. Ex: HED-7MC2-**EN**NW-NGN becomes HED-7MC2-**ED**NW-NGN.

**DISCLAIMER.** All product information provided is, to the best of Dialight's knowledge, accurate as of the date of publication. When ordering, refer to [www.dialight.com](http://www.dialight.com) for current versions of: (a) relevant product documentation (including the relevant product data sheets); (b) Dialight terms and conditions of sale; and, (c) the relevant product warranty. To the extent that any contract is deemed formed between Dialight and the purchaser of Dialight products and/or an end-user, versions of documents available at [www.dialight.com](http://www.dialight.com) as at the date of sale shall be the versions incorporated therein. In the event of any discrepancy between this document or information provided at [www.dialight.com](http://www.dialight.com), the latter shall prevail.

### SafeSite® LED High Bay - UL / CSA

#### Wiring Box Model & Passive Power Supply Model - 347 and 480 VAC

##### Wiring Box Model - 347-480 VAC



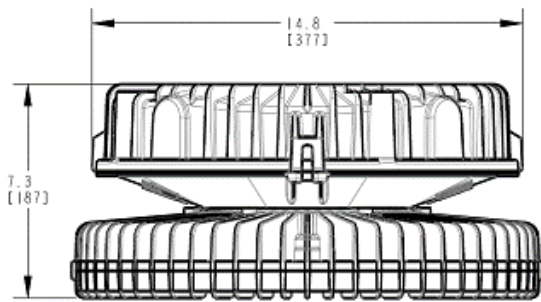
##### Mechanical Information:

**Fixture weight:**  
34 lbs (15.4 kg)

**Shipping weight:**  
39 lbs (17.7 kg)

**Mounting:**  
3/4" NPT - top  
Various Kits

**Wiring Box Cable Entries:**  
(4x) 3/4" NPT



##### Passive Power Supply Model - 347 or 480 VAC



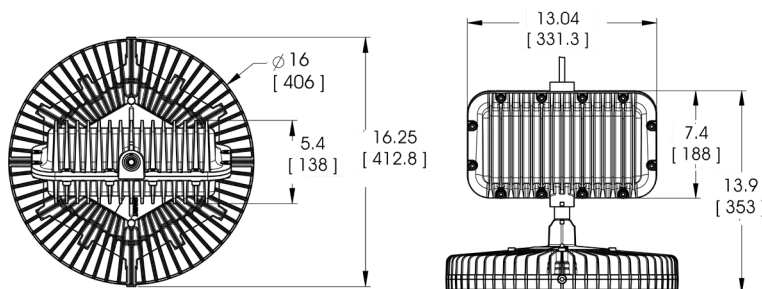
##### Mechanical Information:

**Fixture weight:**  
40 lbs (18 kg)

**Shipping weight:**  
45 lbs (20 kg)

**Mounting:**  
3/4" NPT - top  
Various Kits

Patent pending



Dimensions in inches (mm)

##### Certifications & Ratings:

10 year warranty  
UL 1598/A (wet locations) CSA C22.2 No. 250.0-08  
UL 8750 NEMA 4X  
IP66 (347/480V Models) L70 rated for >150,000 hours  
Class I, Div. 2 Groups A, B, C, D  
Class I, Zone 2, Group IIC  
Class II, Div. 1 Groups E, F, G  
Class II, Div. 2 Groups F, G  
Class III, Div. 1 & 2

##### Variable Dimming:

**Variable Dimming Control:** 0-10 VDC

##### Electrical Specifications:

**Operating Voltage:** 347/480 VAC  
347 or 480 VAC (Passive only)

**Total system power consumption:** See table

**Operating Temp:** -40°F to +149°F (-40°C to +65°C)

**Harmonics:** IEC 61000-3-2

**Noise requirement /EMC:** FCC Title 47, Subpart B, Section 15, class A device. RF Immunity; 10V/m, 80MHz-1GHz

**Transient protection:** Protection devices capable of handling up to 10kv. Tested for 10kv/2 ohm combination wave, as per IEEE C62.41, line-line and line ground

**THD:** <20%

**Power Factor:** >0.9

**Fusing:** Internal

##### Construction:

**Housing:** Copper free aluminum

**Finish:** Superior dual coat finish  
Sealed polyester topcoat  
Chemical-resistant epoxy primer

**Lens:** See table

##### Photometric Information:

**CRI:** 80

**CCT:** 5000K (cool white)  
4000K (neutral white)

All values typical unless otherwise stated (tolerance +/- 10%)

**DISCLAIMER.** All product information provided is, to the best of Dialight's knowledge, accurate as of the date of publication. When ordering, refer to [www.dialight.com](http://www.dialight.com) for current versions of: (a) relevant product documentation (including the relevant product data sheets); (b) Dialight terms and conditions of sale; and, (c) the relevant product warranty. To the extent that any contract is deemed formed between Dialight and the purchaser of Dialight products and/or an end-user, versions of documents available at [www.dialight.com](http://www.dialight.com) as at the date of sale shall be the versions incorporated therein. In the event of any discrepancy between this document or information provided at [www.dialight.com](http://www.dialight.com), the latter shall prevail.

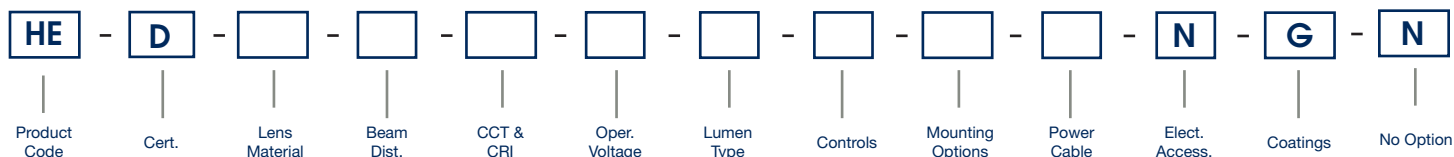
### SafeSite® LED High Bay - UL / CSA Wiring Box Model & Passive Power Supply Model - 347 and 480 VAC



Project Information	
Part Number:	
Project:	
Fixture Type:	Date:

Specifications

### Ordering Information



**Product Code**

HE	High Bay Wiring Box
----	---------------------

**Certification**

D	UL 844 CID2, CII, CIII Class I, Zone 2
---	--

**Lens Material**

4	Polycarbonate - Clear
7	Glass - Clear
L	Polycarbonate Dome - Diffused
R	Power Wash Glass, Clear

**Beam Distribution**

E	Oval
M	Medium (required for voltage P, Q)
N	Narrow
W	Wide

**CCT & CRI**

C	Cool White 5000K - 80 CRI
N	Neutral White 4000K - 80 CRI

**Operating Voltage**

A	347-480 VAC Step Down Transformer
P	480 VAC
Q	347 VAC

**Lumen Type**

A	11,250 Lumens
B	14,250 Lumens
C	18,000 Lumens
E	27,000 Lumens

**Controls**

D	Dimming (Voltage option A only)
N	No Dimming

**Mounting Options**

H	Hook (Voltage option A only)
N	Pendant 3/4" NPT
P	Pendant 3/4" NPT with Safety Retention Tabs
R	Safety Retention Tabs with Hook (Voltage option A only)

**Power Cable**

N	No Cord (Voltage option A only)
W	10' (3 meter) Power Cable

**Electrical Accessories**

N	No Plug
---	---------

**Coatings**

G	Gray (RAL 7040)
---	-----------------

**Option**

N	No Option
---	-----------

**Notes**

1) Lumen type based on using a glass lens. See tables for lumens when changing lenses.
2) Passive must be (M) Medium beam distribution.

**DISCLAIMER.** All product information provided is, to the best of Dialight's knowledge, accurate as of the date of publication. When ordering, refer to [www.dialight.com](http://www.dialight.com) for current versions of: (a) relevant product documentation (including the relevant product data sheets); (b) Dialight terms and conditions of sale; and, (c) the relevant product warranty. To the extent that any contract is deemed formed between Dialight and the purchaser of Dialight products and/or an end-user, versions of documents available at [www.dialight.com](http://www.dialight.com) as at the date of sale shall be the versions incorporated therein. In the event of any discrepancy between this document or information provided at [www.dialight.com](http://www.dialight.com), the latter shall prevail.

## Ordering Information

### SafeSite® LED High Bay - Wiring Box Model



Wiring Box Model - 347-480 VAC									
Part Number	Lumens	Wattage	lm/W	CCT	Lens	Beam Distribution	Controls Option	Hardware Options	Wiring
HED-7MCA-CDNW-NGN	19,500	158	123	CW	Glass - Clear	Medium	Dimming	Pendant 3/4" NPT	10' Power Cable
HED-7MCA-BDNW-NGN	14,250	131	109	CW	Glass - Clear	Medium	Dimming	Pendant 3/4" NPT	10' Power Cable
HED-4MCA-BDNW-NGN	13,000	122	107	CW	Polycarbonate - Clear	Medium	Dimming	Pendant 3/4" NPT	10' Power Cable
HED-4MCA-ADNW-NGN	10,000	101	99	CW	Polycarbonate - Clear	Medium	Dimming	Pendant 3/4" NPT	10' Power Cable

All values typical unless otherwise stated (tolerance +/- 10%)

## Ordering Information

### SafeSite® LED High Bay - Passive Power Supply Model



Passive Power Supply Model - 480 VAC									
Part Number	Lumens	Wattage	lm/W	CCT	Lens	Beam Distribution	Controls Option	Hardware Options	Wiring
HED-7MCP-ENNW-NGN	27,000	206	131	CW	Glass - Clear	Medium	No controls	Pendant 3/4" NPT	10' Power Cable
HED-7MCP-CNNW-NGN	18,000	129	140	CW	Glass - Clear	Medium	No controls	Pendant 3/4" NPT	10' Power Cable
HED-7MCP-BNNW-NGN	14,250	116	123	CW	Glass - Clear	Medium	No controls	Pendant 3/4" NPT	10' Power Cable
HED-7MCP-ANNW-NGN	11,250	73	154	CW	Glass - Clear	Medium	No controls	Pendant 3/4" NPT	10' Power Cable

All values typical unless otherwise stated (tolerance +/- 10%)  
 347 VAC models also available, consult factory

**DISCLAIMER.** All product information provided is, to the best of Dialight's knowledge, accurate as of the date of publication. When ordering, refer to [www.dialight.com](http://www.dialight.com) for current versions of: (a) relevant product documentation (including the relevant product data sheets); (b) Dialight terms and conditions of sale; and, (c) the relevant product warranty. To the extent that any contract is deemed formed between Dialight and the purchaser of Dialight products and/or an end-user, versions of documents available at [www.dialight.com](http://www.dialight.com) as at the date of sale shall be the versions incorporated therein. In the event of any discrepancy between this document or information provided at [www.dialight.com](http://www.dialight.com), the latter shall prevail.

## SafeSite® LED Low Bay - UL / CSA

### Corded Model & Integrated Wiring Box Model - 100-277 VAC

#### Corded Model



#### Mechanical Information:

##### Fixture weight:

18 lbs (8.16kg)

##### Shipping weight:

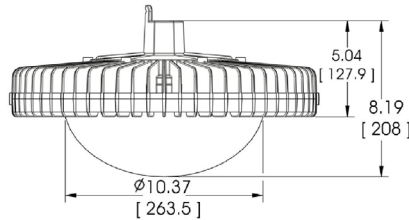
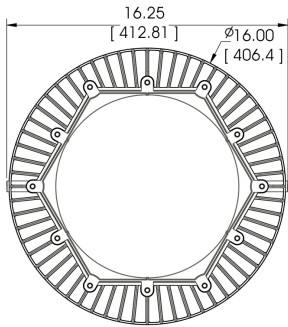
24 lbs (10.8kg)

##### Mounting:

3/4" NPT - top  
Various Kits

##### Power Cord:

10' 18 AWG STOOW



#### Integrated Wiring Box Model



#### Mechanical Information:

##### Fixture weight:

20 lbs (9 kg)

##### Shipping weight:

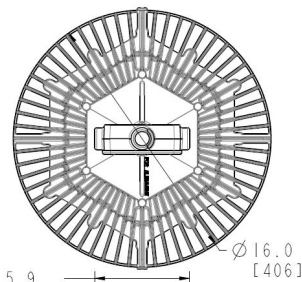
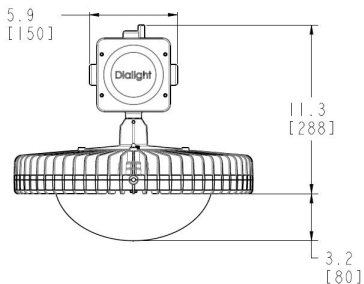
26 lbs (12 kg)

##### Mounting:

3/4" NPT or Hook  
Various Kits

##### Wiring Box Cable Entries:

(2x) 3/4" NPT



Dimensions in inches (mm)

**WARNING - INSTALLATION & SECONDARY RETENTION.** Use of any Dialight products without proper installation (including secondary retention / netting) and periodic inspections could cause severe injury or death. Dialight recommends that all installations should use secondary retention / netting (appropriate to the installation environment) where applicable. It is the exclusive responsibility of the contractor, installer and/or end-user to: (a) determine the suitability of the product for its intended application; and, (b) ensure that the product is safely installed (with secondary retention / netting where appropriate) and in compliance with all applicable laws and regulations. To the extent permissible under applicable laws, Dialight disclaims all liability for personal injury and/or other damage resulting from any dislodgment or other dislocation of its products.

#### Certifications & Ratings:

10 year warranty  
UL 1598/A (wet locations) CSA C22.2 No. 250.0-08  
UL 8750 NEMA 4X  
IP66/67 (100-277 Models) L70 rated for >150,000 hours  
Class I, Div. 2, Groups A, B, C, D  
Class I, Zone 2, Group IIC  
Class II, Div. 1 Groups E, F, G  
Class II, Div. 2 Groups F, G  
Class III, Div. 1 & 2

#### Variable Dimming:

Variable Dimming Control: 0-10 VDC

Dimming Range: 10 VDC = 100% light output  
0 VDC = <5% light output

#### Electrical Specifications:

Operating Voltage: 100-277 VAC (120-250 VDC)

Total system power consumption: See table

Operating Temp: -40°F to +149°F (-40°C to +65°C)

Harmonics: IEC 61000-3-2

Noise requirement / EMC: FCC Title 47, Subpart B, Section 15, class A device. RF Immunity; 10V/m, 80MHz-1GHz

Transient protection:

Protection devices capable of handling up to 10kv. Tested for 10kv/2 ohm combination wave, as per IEEE C62.41, line-line and line ground

THD: 6K-18k lm models: <20%  
4k lm models: <30%

Power Factor: >0.9

Fusing: Internal

#### Construction:

Housing: Copper free aluminum

Finish: Superior dual coat finish  
Sealed polyester topcoat  
Chemical-resistant epoxy primer

Lens: See table

#### Photometric Information:

CRI: 80

CCT: 5000K (cool white)  
4000K (neutral white)  
2700K (warm white)

All values typical unless otherwise stated (tolerance +/- 10%)



## SafeSite® LED Low Bay - UL / CSA

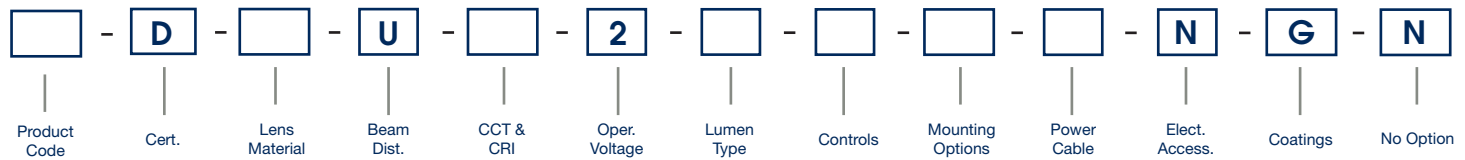
Corded & Integrated Wiring Box - 100-277 VAC



Project Information	
Part Number:	
Project:	
Fixture Type:	Date:

Specifications

### Ordering Information



#### Product Code

- LC Low Bay Integrated Wiring Box
- LE Low Bay

#### Certification

- D UL 844 CID2, CII, CIII Class I, Zone 2

#### Lens Material

- 4 Polycarbonate - Clear
- 5 Polycarbonate - Diffused
- L Polycarbonate Dome - Diffused

#### Beam Distribution

- U Ultra Wide

#### CCT & CRI

- C Cool White 5000K - 80 CRI
- N Neutral White 4000K - 80 CRI

#### Operating Voltage

- 2 100-277 VAC / 120-250 VDC

#### Lumen Type

- 4 4,000 Lumens
- 6 6,000 Lumens
- 9 9,000 Lumens
- B 14,000 Lumens
- C 18,000 Lumens

#### Controls

- D Dimming (0-10V)
- N No Option

#### Mounting Options

- H Hook (LC only)
- N Pendant 3/4" NPT
- P Pendant 3/4" NPT with Safety Retention Tabs
- R Safety Retention Tabs with Hook (LE option only)

#### Power Cable

- N No Cord (LC only)
- W 10' [3 meter] Power Cable (LE only)

#### Electrical Accessories

- N No Plug

#### Coatings

- G Gray (RAL 7040)

#### Option

- N No Option

#### Corded Model - Class I, Div. 2 - 100-277 VAC

Part Number	Lumens	Wattage	lm/W	CCT	Lens	Beam Distribution	Controls Option	Hardware Options	Power Cable
LED-LUC2-CNNW-NGN	18,000	154	117	CW	Polycarbonate Dome - Diffused	Ultra Wide	No controls	Pendant 3/4" NPT	10' Power Cable
LED-LUC2-BNNW-NGN	14,000	114	123	CW	Polycarbonate Dome - Diffused	Ultra Wide	No controls	Pendant 3/4" NPT	10' Power Cable
LED-LUC2-9NNW-NGN	9,000	80	113	CW	Polycarbonate Dome - Diffused	Ultra Wide	No controls	Pendant 3/4" NPT	10' Power Cable
LED-LUC2-6NNW-NGN	6,000	56	107	CW	Polycarbonate Dome - Diffused	Ultra Wide	No controls	Pendant 3/4" NPT	10' Power Cable

All values typical unless otherwise stated (tolerance +/- 10%)

0-10V dimming option available for products in the above table. Replace the ninth character **N** with **D**. Ex: LEU-LUC2-9NNW-NGN becomes LEU-LUC2-9DNW-NGN.

**DISCLAIMER.** All product information provided is, to the best of Dialight's knowledge, accurate as of the date of publication. When ordering, refer to [www.dialight.com](http://www.dialight.com) for current versions of: (a) relevant product documentation (including the relevant product data sheets); (b) Dialight terms and conditions of sale; and, (c) the relevant product warranty. To the extent that any contract is deemed formed between Dialight and the purchaser of Dialight products and/or an end-user, versions of documents available at [www.dialight.com](http://www.dialight.com) as at the date of sale shall be the versions incorporated therein. In the event of any discrepancy between this document or information provided at [www.dialight.com](http://www.dialight.com), the latter shall prevail.

# Lumen Tables

Vigilant High Bay 100-277 VAC, 120-250 VDC							
Lumen Letter	Wattage	Lens	Material	Diffused	Lumens 5000K CCT	Lumens 4000K CCT	Lumens 2700K CCT
E	186	7	Glass	No	26,250	25,250	22,250
	186	H	Glass	No	25,750	25000	21,250
	186	2	Acrylic	No	25,250	24500	21,750
	186	4	Polycarbonate	No	25,250	24500	21,750
	186	3	Acrylic	Yes	24,750	24000	20,500
	186	5	Polycarbonate	Yes	24,750	24,000	20,500
	186	L	Polycarbonate Dome	Yes	24,500	23,750	20,250
	186	8	Glass	Yes	23,250	22500	19,125
C	129	7	Glass	No	19,500	18,750	15,750
	129	2	Acrylic	No	18,750	18,000	15,250
	129	4	Polycarbonate	No	18,750	18,000	15,250
	129	3	Acrylic	Yes	18,250	17,500	14,750
	129	5	Polycarbonate	Yes	18,250	17,500	14,750
	129	L	Polycarbonate Dome	Yes	18,000	17,500	14,750
	129	8	Glass	Yes	17,000	16,500	14,000
B	102	7	Glass	No	14,250	13,750	11,750
	102	H	Glass	No	14000	13,500	11,500
	102	2	Acrylic	No	13,750	13,250	11,000
	102	4	Polycarbonate	No	13,750	13,250	11,000
	102	3	Acrylic	Yes	13,500	13,000	11,000
	102	5	Polycarbonate	Yes	13,500	13,000	11,000
	102	L	Polycarbonate Dome	Yes	13,250	12,750	10,750
	102	8	Glass	Yes	12,500	12,250	10,500
A	80	7	Glass	No	11,250	11,000	9,500
	80	H	Glass	No	11,000	10,750	9,250
	80	2	Acrylic	No	10,750	10,500	9,000
	80	4	Polycarbonate	No	10,750	10,500	9,000
	80	3	Acrylic	Yes	10,500	10,250	8,750
	80	5	Polycarbonate	Yes	10,500	10,250	8,750
	80	L	Polycarbonate Dome	Yes	10,250	9,950	8,500
	80	8	Glass	Yes	9,750	9,500	8,000

SafeSite CID1 High Bay 100-277 VAC							
Lumen Letter	Wattage	Lens	Material	Diffused	Lumens 5000K CCT	Lumens 4000K CCT	Lumens 2700K CCT
E	186	7	Glass	No	23,500	22,750	20,000
	186	8	Glass	Yes	20,750	20,250	17,250
C	129	7	Glass	No	16,000	15,500	13,250
	129	8	Glass	Yes	14,000	13,500	11,500
B	102	7	Glass	No	12,500	12,250	10,500
	102	8	Glass	Yes	11,000	10,750	9,250
A	80	7	Glass	No	9,500	9,250	7,750

### Notes

1) For models using transformers, add 12W for 480V & 29W for 347V

**DISCLAIMER.** All product information provided is, to the best of Dialight's knowledge, accurate as of the date of publication. When ordering, refer to [www.dialight.com](http://www.dialight.com) for current versions of: (a) relevant product documentation (including the relevant product data sheets); (b) Dialight terms and conditions of sale; and, (c) the relevant product warranty. To the extent that any contract is deemed formed between Dialight and the purchaser of Dialight products and/or an end-user, versions of documents available at [www.dialight.com](http://www.dialight.com) as at the date of sale shall be the versions incorporated therein. In the event of any discrepancy between this document or information provided at [www.dialight.com](http://www.dialight.com), the latter shall prevail.

# Passive 480 Power Supplies

Lumen Letter	480V Wattage	Lens Character	Material	Diffused	Lumens 5000K CCT	Lumens 4000K CCT	Lumens 2700K CCT
E	206	7	Glass	No	27,000	26,250	23,000
	206	H	Glass	No	26,500	25,750	21,750
	206	2	Acrylic	No	26,000	25,250	21,500
	206	4	Polycarbonate	No	26,000	25,250	21,500
	206	3	Acrylic	Yes	25,250	24,500	20,750
	206	5	Polycarbonate	Yes	25,250	24,500	20,750
	206	L	Polycarbonate Dome	Yes	25,000	24,250	20,500
	206	8	Glass	Yes	23,750	23000	19,500
C	129	7	Glass	No	18,000	17,500	14,750
	129	H	Glass	No	17,750	17,250	14,500
	129	2	Acrylic	No	17,250	16,750	14,250
	129	4	Polycarbonate	No	17,250	16750	14,250
	129	3	Acrylic	Yes	17,000	16,500	14,000
	129	5	Polycarbonate	Yes	17,000	16,500	14,000
	129	L	Polycarbonate Dome	Yes	16,750	16,250	13,750
	129	8	Glass	Yes	15,750	15,250	13,000
B	116	7	Glass	No	14,250	13,750	11,750
	116	H	Glass	No	14,000	13,500	11,500
	116	2	Acrylic	No	13,750	13,250	11,000
	116	4	Polycarbonate	No	13,750	13,250	11,000
	116	3	Acrylic	Yes	13,500	13,000	11,000
	116	5	Polycarbonate	Yes	13,500	13,000	11,000
	116	L	Polycarbonate Dome	Yes	13,250	12,750	10,750
	116	8	Glass	Yes	12,500	12,250	10,500
A	73	7	Glass	No	11,250	11,000	9,500
	73	H	Glass	No	11,000	10,750	9,250
	73	2	Acrylic	No	10,750	10,500	9,000
	73	4	Polycarbonate	No	10,750	10,500	9,000
	73	3	Acrylic	Yes	10,500	10,250	8,750
	73	5	Polycarbonate	Yes	10,500	10,250	8,750
	73	L	Polycarbonate Dome	Yes	10,250	9,950	8,500
	73	8	Glass	Yes	9,750	9,500	8,000

### Notes

1) For models using transformers, add 12W for 480V & 29W for 347V

# Passive 347 Power Supplies

Lumen Letter	347V Wattage	Lens Character	Material	Diffused	Lumens 5000K CCT	Lumens 4000K CCT	Lumens 2700K CCT
E	206	7	Glass	No	27,000	26,250	23,000
	206	H	Glass	No	26,500	25,750	21,750
	206	2	Acrylic	No	26,000	25,250	21,500
	206	4	Polycarbonate	No	26,000	25,250	21,500
	206	3	Acrylic	Yes	25,250	24,500	20,750
	206	5	Polycarbonate	Yes	25,250	24,500	20,750
	206	L	Polycarbonate Dome	Yes	25,000	24,250	20,500
	206	8	Glass	Yes	23,750	23000	19,500
C	136	7	Glass	No	18,000	17,500	14,750
	136	H	Glass	No	17,750	17,250	14,500
	136	2	Acrylic	No	17,250	16,750	14,250
	136	4	Polycarbonate	No	17,250	16750	14,250
	136	3	Acrylic	Yes	17,000	16,500	14,000
	136	5	Polycarbonate	Yes	17,000	16,500	14,000
	136	L	Polycarbonate Dome	Yes	16,750	16,250	13,750
	136	8	Glass	Yes	15,750	15,250	13,000
B	100	7	Glass	No	14,250	13,750	11,750
	100	H	Glass	No	14,000	13,500	11,500
	100	2	Acrylic	No	13,750	13,250	11,000
	100	4	Polycarbonate	No	13,750	13,250	11,000
	100	3	Acrylic	Yes	13,500	13,000	11,000
	100	5	Polycarbonate	Yes	13,500	13,000	11,000
	100	L	Polycarbonate Dome	Yes	13,250	12,750	10,750
	100	8	Glass	Yes	12,500	12,250	10,500
A	81	7	Glass	No	11,250	11,000	9,500
	81	H	Glass	No	11,000	10,750	9,250
	81	2	Acrylic	No	10,750	10,500	9,000
	81	4	Polycarbonate	No	10,750	10,500	9,000
	81	3	Acrylic	Yes	10,500	10,250	8,750
	81	5	Polycarbonate	Yes	10,500	10,250	8,750
	81	L	Polycarbonate Dome	Yes	10,250	9,950	8,500
	81	8	Glass	Yes	9,750	9,500	8,000

## Notes

- 1) For models using transformers, add 12W for 480V & 29W for 347V

# Lumen Tables - Low Bay

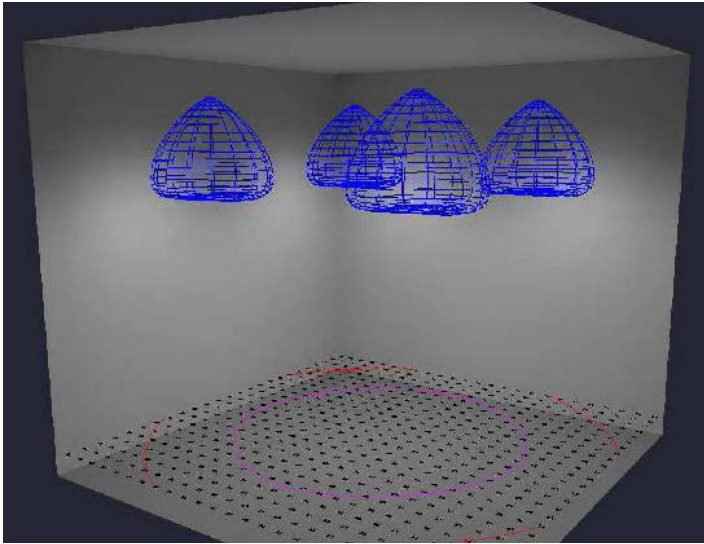
Vigilant Low Bay 100-277V AC, 120-250V DC							
Lumen Letter	Wattage	Lens	Material	Diffused	Lumens 5000K CCT	Lumens 4000K CCT	Lumens 2700K CCT
C	154	L	Polycarbonate Dome	Yes	18,000	17,500	15,250
	154	4	Polycarbonate	No	17,750	17,250	15,000
	154	2	Acrylic	No	17,500	17,000	14,750
	154	5	Polycarbonate	Yes	17,000	16,500	14,500
	154	3	Acrylic	Yes	16,500	16,000	14,000
B	114	L	Polycarbonate Dome	Yes	14,000	13,500	12,000
	114	4	Polycarbonate	No	13,750	13,250	11,750
	114	2	Acrylic	No	13,500	13,000	11,500
	114	5	Polycarbonate	Yes	13,250	12,750	11,250
	114	3	Acrylic	Yes	13,000	12,500	11,000
9	80	L	Polycarbonate Dome	Yes	9,000	8,750	7,750
	80	4	Polycarbonate	No	8,800	8,500	7,500
	80	2	Acrylic	No	8,600	8,400	7,300
	80	5	Polycarbonate	Yes	8,500	8,250	7,200
	80	3	Acrylic	Yes	8,250	8,000	7,000
6	56	L	Polycarbonate Dome	Yes	6,000	5,800	5,100
	56	4	Polycarbonate	No	5,900	5,750	5,000
	56	2	Acrylic	No	5,750	5,600	4,800
	56	5	Polycarbonate	Yes	5,600	5,500	4,750
	56	3	Acrylic	Yes	5,500	5,300	4,600
4	42	L	Polycarbonate Dome	Yes	4,000	3,900	3,400
	42	4	Polycarbonate	No	3,900	3,800	3,300
	42	2	Acrylic	No	3,800	3,700	3,200
	42	5	Polycarbonate	Yes	3,750	3,600	3,150
	42	3	Acrylic	Yes	3,500	3,500	3,000

**DISCLAIMER.** All product information provided is, to the best of Dialight's knowledge, accurate as of the date of publication. When ordering, refer to [www.dialight.com](http://www.dialight.com) for current versions of: (a) relevant product documentation (including the relevant product data sheets); (b) Dialight terms and conditions of sale; and, (c) the relevant product warranty. To the extent that any contract is deemed formed between Dialight and the purchaser of Dialight products and/or an end-user, versions of documents available at [www.dialight.com](http://www.dialight.com) as at the date of sale shall be the versions incorporated therein. In the event of any discrepancy between this document or information provided at [www.dialight.com](http://www.dialight.com), the latter shall prevail.

# Lighting Layouts

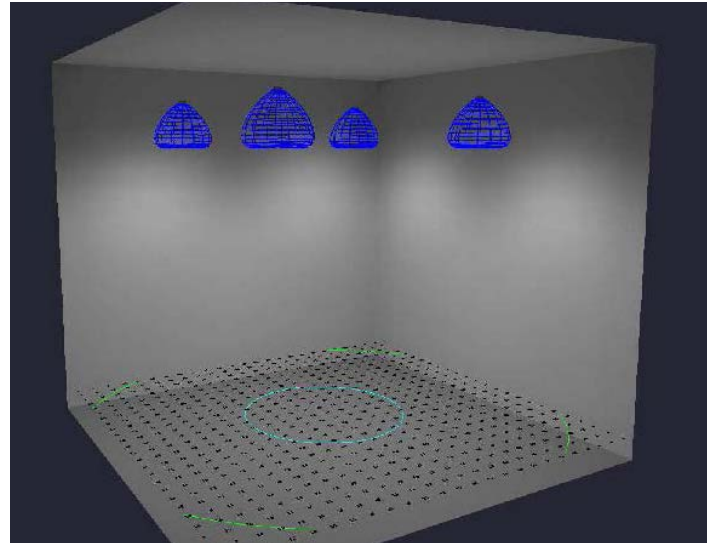
## Hxx7MCxEx-xxxx

Calculation Summary - Mounting Height: 15' Workplane: 2.5'						
Calc Type	Units	Avg	Max	Min	Avg/Max	Max/Min
Illuminance	Fc	23.50	30	15	1.57	2.00



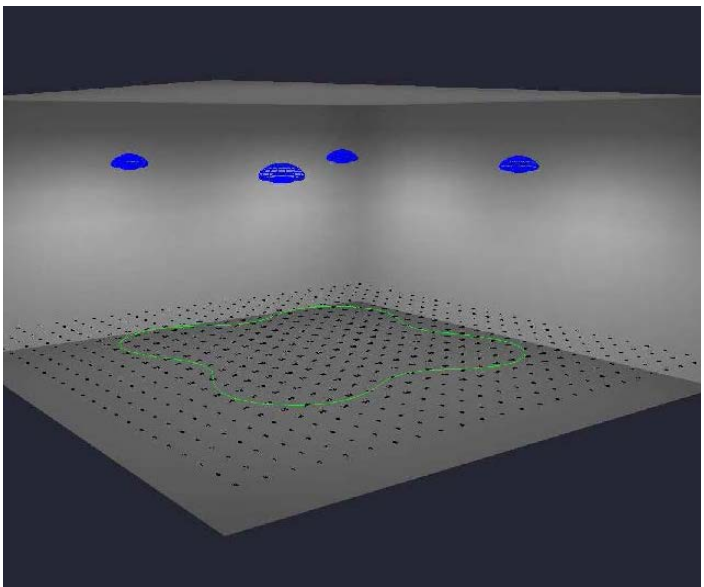
## Hxx7MCxBx-xxxx

Calculation Summary - Mounting Height: 15' Workplane: 2.5'						
Calc Type	Units	Avg	Max	Min	Avg/Max	Max/Min
Illuminance	fc	12.67	16	8	1.58	2.00



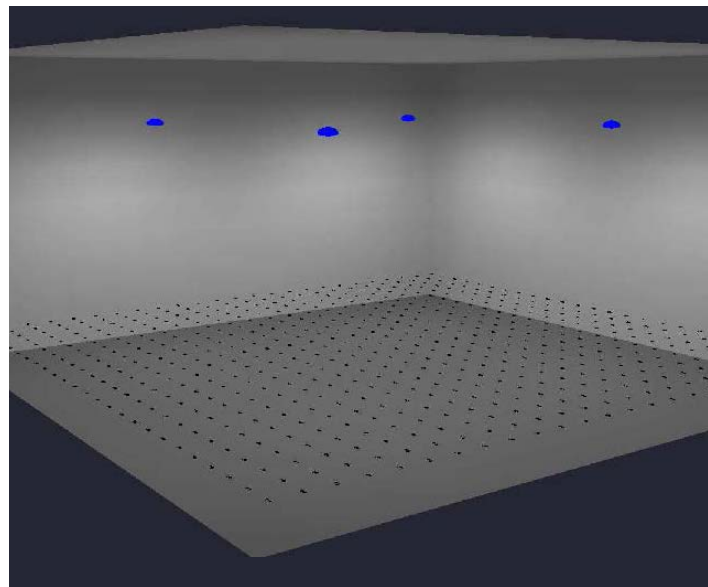
## LxxLUCx9x-xxxx

Calculation Summary - Mounting Height: 15' Workplane: 2.5'						
Calc Type	Units	Avg	Max	Min	Avg/Max	Max/Min
Illuminance	Fc	9.01	11	6	1.50	1.83



## LxxLUCx4x-xxxx

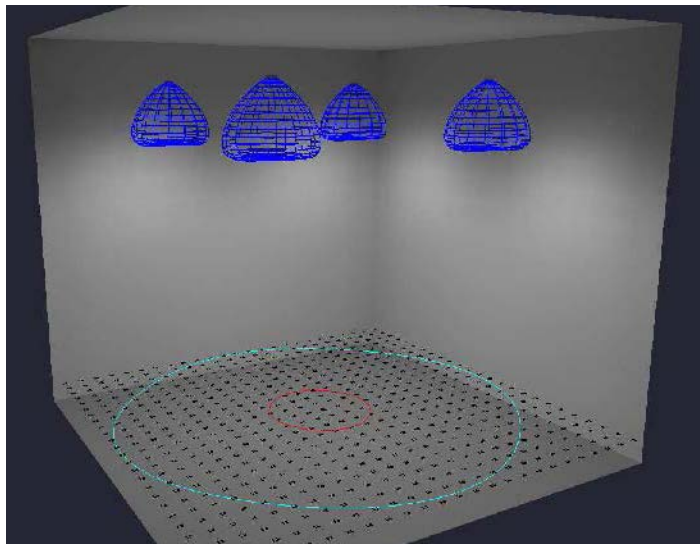
Calculation Summary - Mounting Height: 15' Workplane: 2.5'						
Calc Type	Units	Avg	Max	Min	Avg/Max	Max/Min
Illuminance	fc	3.54	4	2	1.77	2.00



**DISCLAIMER.** All product information provided is, to the best of Dialight's knowledge, accurate as of the date of publication. When ordering, refer to [www.dialight.com](http://www.dialight.com) for current versions of: (a) relevant product documentation (including the relevant product data sheets); (b) Dialight terms and conditions of sale; and, (c) the relevant product warranty. To the extent that any contract is deemed formed between Dialight and the purchaser of Dialight products and/or an end-user, versions of documents available at [www.dialight.com](http://www.dialight.com) as at the date of sale shall be the versions incorporated therein. In the event of any discrepancy between this document or information provided at [www.dialight.com](http://www.dialight.com), the latter shall prevail.

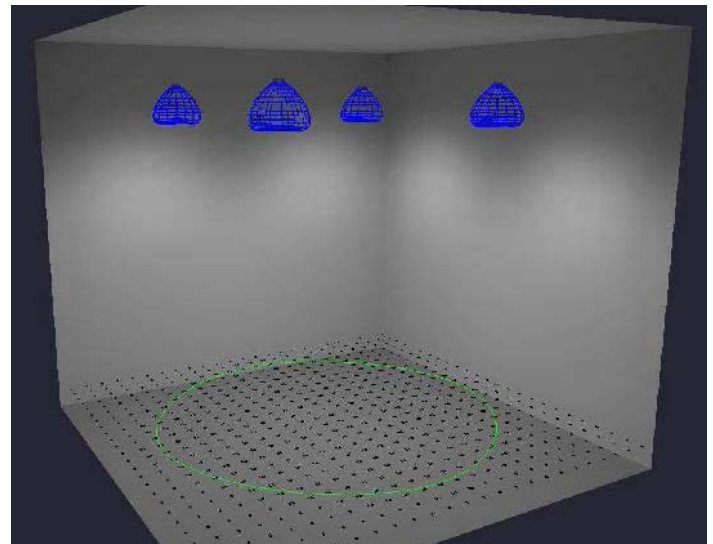
### Hxx7MCxDx-xxxx

Calculation Summary - Mounting Height: 15' Workplane: 2.5'						
Calc Type	Units	Avg	Max	Min	Avg/Max	Max/Min
Illuminance	Fc	16.23	21	11	1.48	1.91



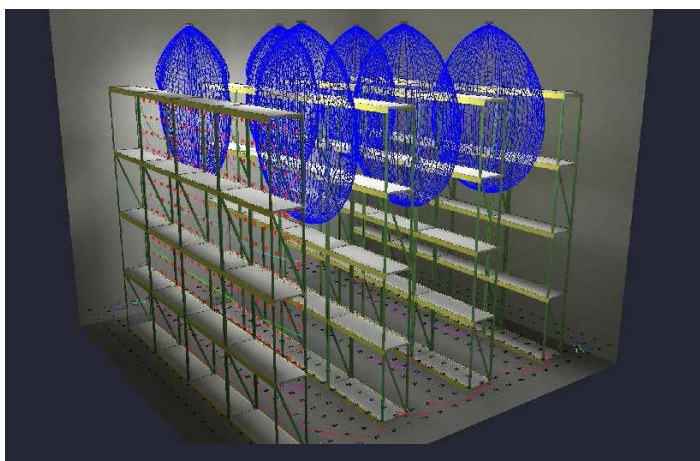
### Hxx7MCxAx-xxxx

Calculation Summary - Mounting Height: 15' Workplane: 2.5'						
Calc Type	Units	Avg	Max	Min	Avg/Max	Max/Min
Illuminance	fc	9.93	13	6	1.66	2.17



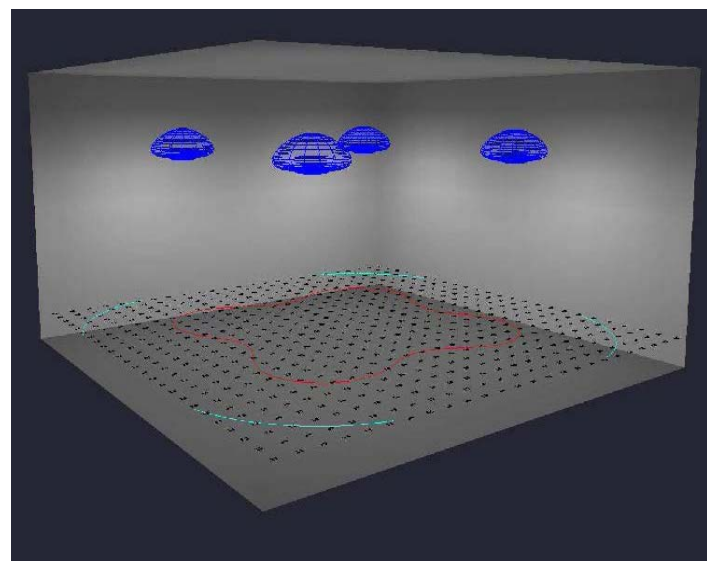
### Hxx7ECxEx-xxxx

Calculation Summary - Mounting Height: 15' Workplane: 2.5'							
Label	Calc Type	Units	Avg	Max	Min	Avg/Max	Max/Min
Room Workplane	Illuminance	fc	18.59	28	2	9.30	14.00
Vertical Shelf Face	Illuminance	fc	16.35	52	6	2.73	8.67



### LxxLUCxCx-xxxx

Calculation Summary - Mounting Height: 15' Workplane: 2.5'						
Calc Type	Units	Avg	Max	Min	Avg/Max	Max/Min
Illuminance	Fc	18.27	21	11	1.66	1.91

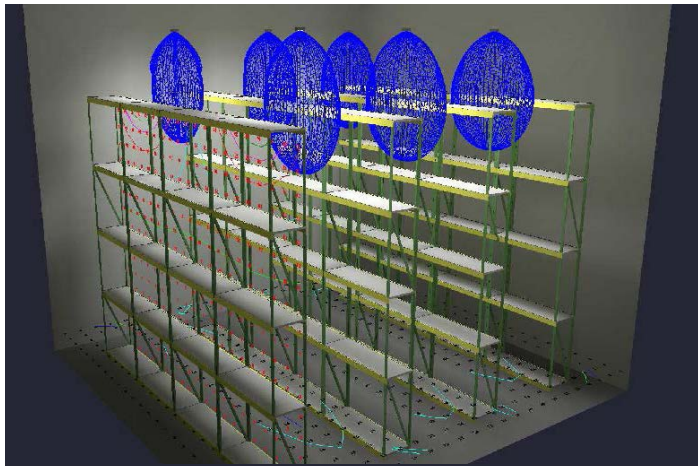


**DISCLAIMER.** All product information provided is, to the best of Dialight's knowledge, accurate as of the date of publication. When ordering, refer to [www.dialight.com](http://www.dialight.com) for current versions of: (a) relevant product documentation (including the relevant product data sheets); (b) Dialight terms and conditions of sale; and, (c) the relevant product warranty. To the extent that any contract is deemed formed between Dialight and the purchaser of Dialight products and/or an end-user, versions of documents available at [www.dialight.com](http://www.dialight.com) as at the date of sale shall be the versions incorporated therein. In the event of any discrepancy between this document or information provided at [www.dialight.com](http://www.dialight.com), the latter shall prevail.

# Lighting Layouts

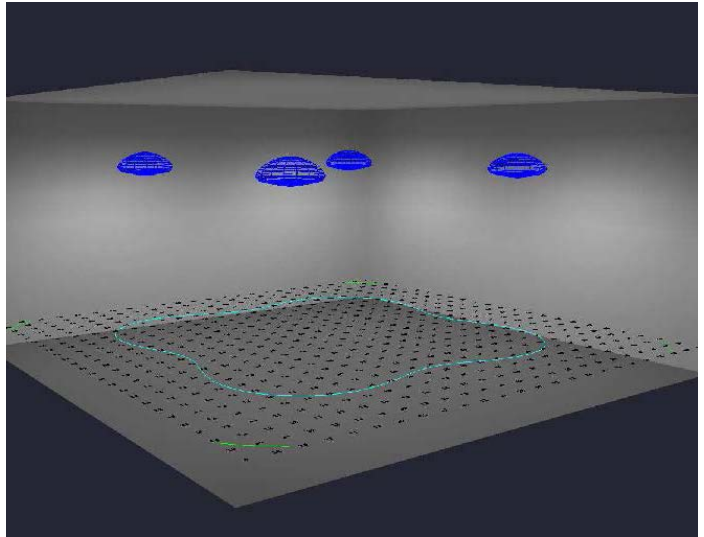
## Hxx7ECxBx-xxxx

Calculation Summary - Mounting Height: 15' Workplane: 2.5'							
Label	Calc Type	Units	Avg	Max	Min	Avg/Max	Max/Min
Room Workplane	Illuminance	fc	12.28	18	2	6.14	9.00
Vertical Shelf Face	Illuminance	fc	10.77	34	4	2.69	8.50



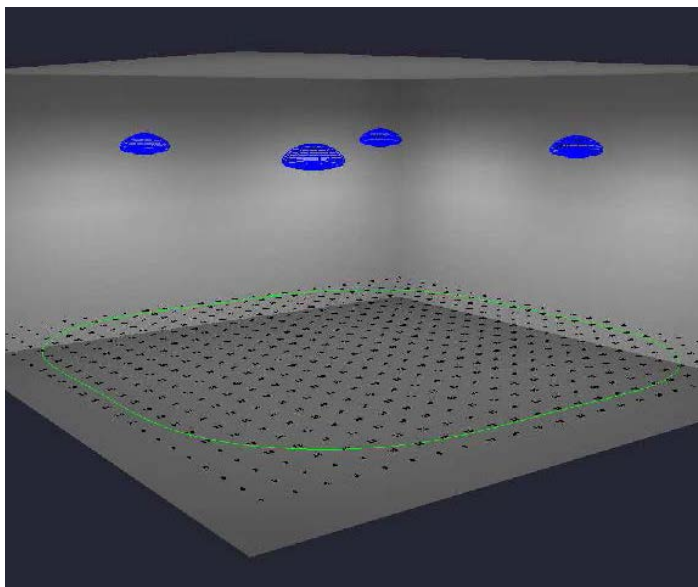
## LxxLUCxBx-xxxx

Calculation Summary - Mounting Height: 15' Workplane: 2.5'						
Calc Type	Units	Avg	Max	Min	Avg/Max	Max/Min
Illuminance	fc	14.12	16	9	1.57	1.78



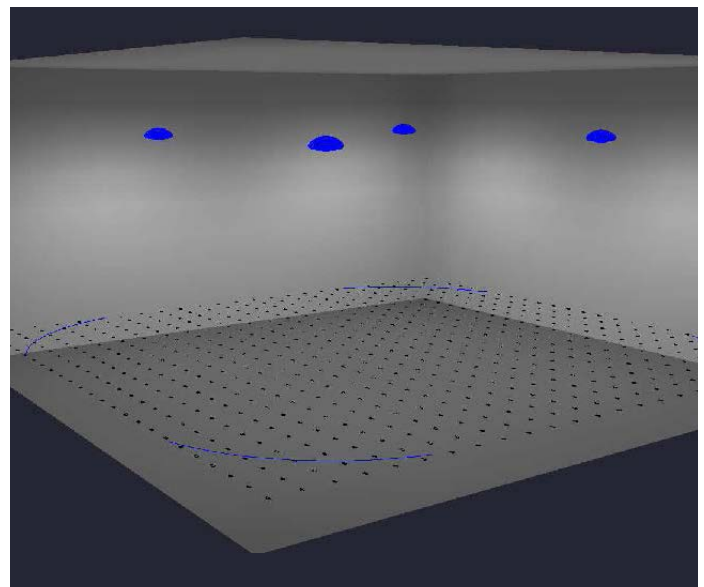
## LxxLUCxAx-xxxx

Calculation Summary - Mounting Height: 15' Workplane: 2.5'						
Calc Type	Units	Avg	Max	Min	Avg/Max	Max/Min
Illuminance	Fc	11.15	13	7	1.59	1.86



## LxxLUCx6x-xxxx

Calculation Summary - Mounting Height: 15' Workplane: 2.5'						
Calc Type	Units	Avg	Max	Min	Avg/Max	Max/Min
Illuminance	Fc	6.12	7	4	1.53	1.75



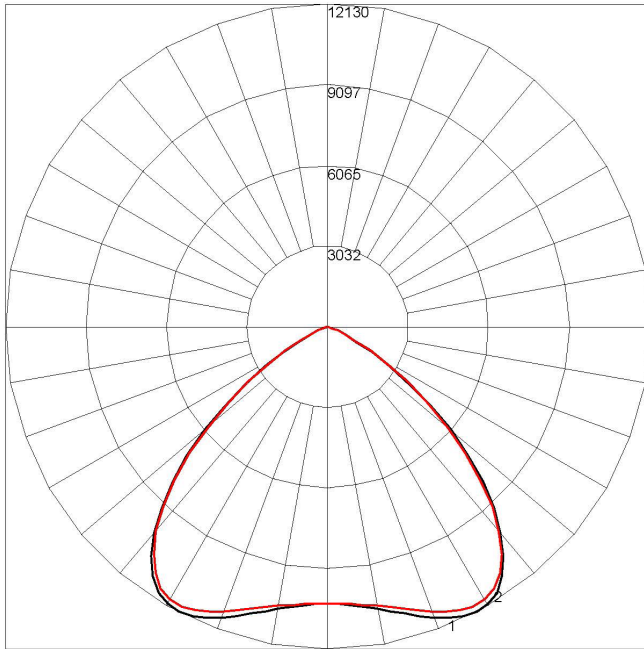
**DISCLAIMER.** All product information provided is, to the best of Dialight's knowledge, accurate as of the date of publication. When ordering, refer to [www.dialight.com](http://www.dialight.com) for current versions of: (a) relevant product documentation (including the relevant product data sheets); (b) Dialight terms and conditions of sale; and, (c) the relevant product warranty. To the extent that any contract is deemed formed between Dialight and the purchaser of Dialight products and/or an end-user, versions of documents available at [www.dialight.com](http://www.dialight.com) as at the date of sale shall be the versions incorporated therein. In the event of any discrepancy between this document or information provided at [www.dialight.com](http://www.dialight.com), the latter shall prevail.



# Beam Distribution

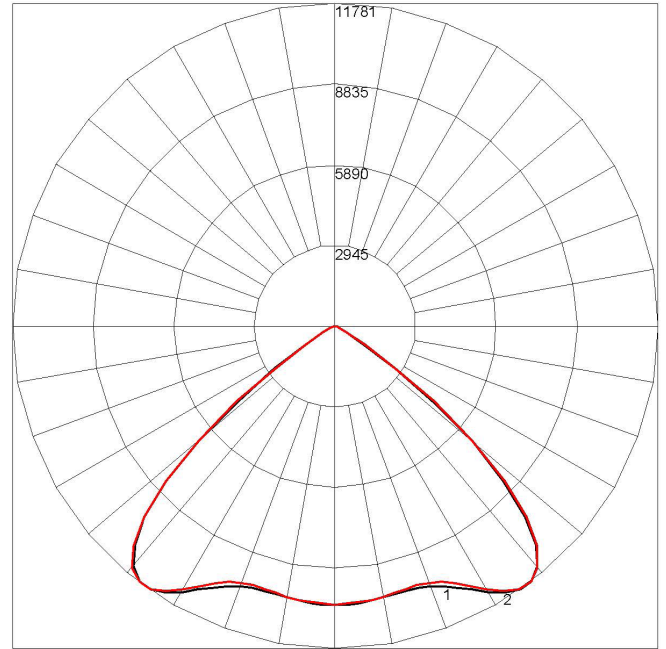


## High Bay Medium



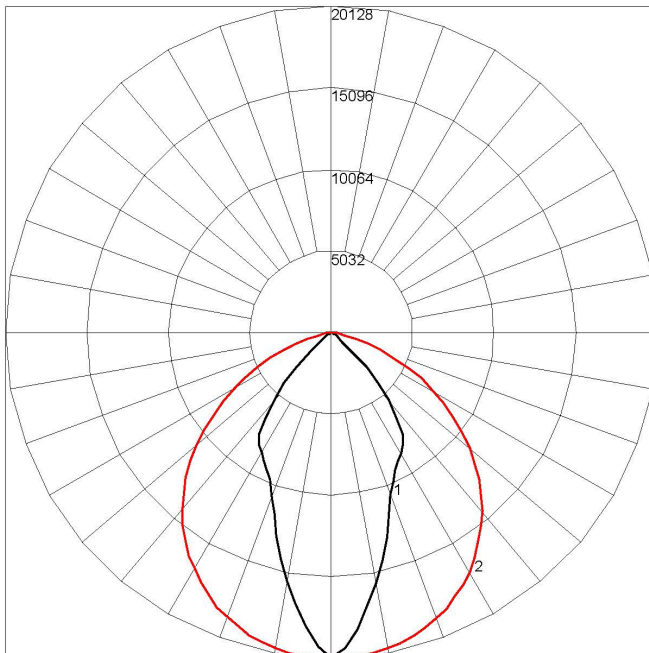
Maximum Candela = 12129.5 Located At Horizontal Angle = 0, Vertical Angle = 27.5  
 # 1 - Vertical Plane Through Horizontal Angles (0 - 180)  
 # 2 - Vertical Plane Through Horizontal Angles (90 - 270)

## High Bay Wide



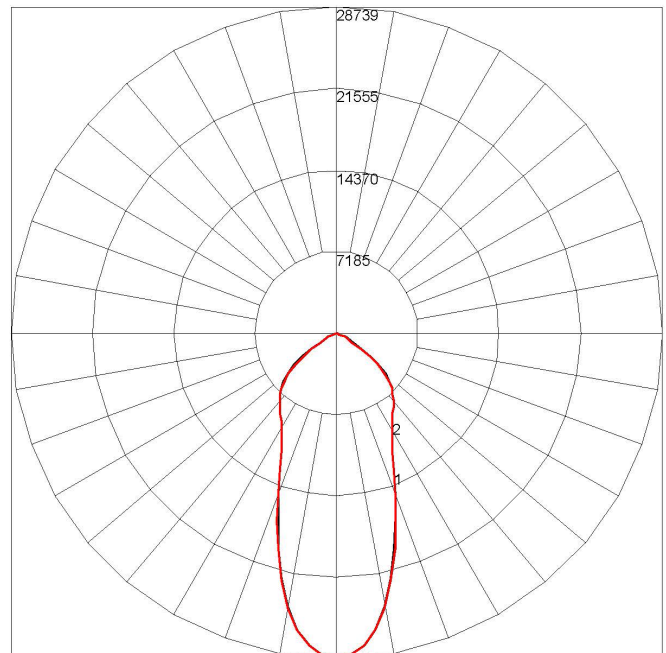
Maximum Candela = 11780.5 Located At Horizontal Angle = 90, Vertical Angle = 37.5  
 # 1 - Vertical Plane Through Horizontal Angles (0 - 180)  
 # 2 - Vertical Plane Through Horizontal Angles (90 - 270)

## High Bay Oval



Maximum Candela = 20128.4 Located At Horizontal Angle = 85, Vertical Angle = 2.5  
 # 1 - Vertical Plane Through Horizontal Angles (0 - 180)  
 # 2 - Vertical Plane Through Horizontal Angles (90 - 270)

## High Bay Narrow

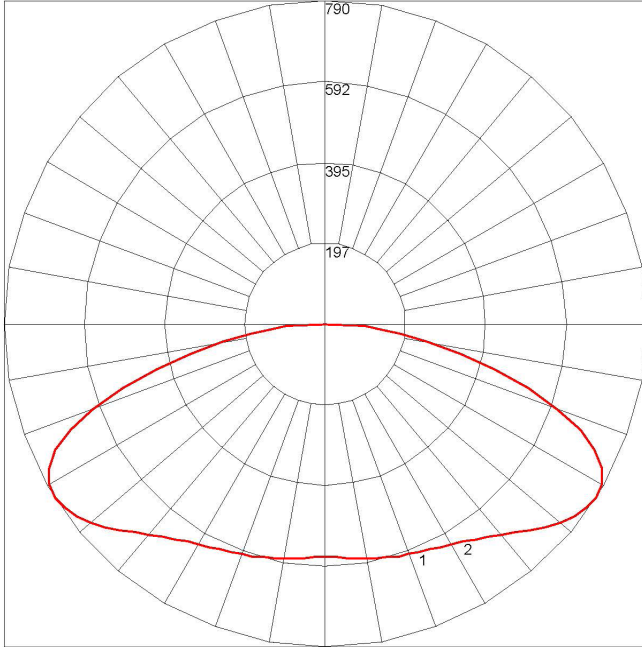


Maximum Candela = 28739.4 Located At Horizontal Angle = 0, Vertical Angle = 0  
 # 1 - Vertical Plane Through Horizontal Angles (0 - 180)  
 # 2 - Vertical Plane Through Horizontal Angles (90 - 270)

**DISCLAIMER.** All product information provided is, to the best of Dialight's knowledge, accurate as of the date of publication. When ordering, refer to [www.dialight.com](http://www.dialight.com) for current versions of: (a) relevant product documentation (including the relevant product data sheets); (b) Dialight terms and conditions of sale; and, (c) the relevant product warranty. To the extent that any contract is deemed formed between Dialight and the purchaser of Dialight products and/or an end-user, versions of documents available at [www.dialight.com](http://www.dialight.com) as at the date of sale shall be the versions incorporated therein. In the event of any discrepancy between this document or information provided at [www.dialight.com](http://www.dialight.com), the latter shall prevail.

# Beam Distribution

## Low Bay Ultra Wide



Maximum Candela = 789.7 Located At Horizontal Angle = 0, Vertical Angle = 57.5  
 # 1 - Vertical Plane Through Horizontal Angles (0 - 180)  
 # 2 - Vertical Plane Through Horizontal Angles (90 - 270)

# Inrush Currents

## High Bay Models

HE Models	Watt	In rush current @ input voltage			Time duration of in rush current @ input voltage		
		100V AC	230V AC	277V AC	120V AC	230V AC	277V AC
26K	186	7.7A	14.8A	17.8A	2ms	2ms	2ms
18K	129	7.7A	14.8A	17.8A	2ms	2ms	2ms
14K	102	7.7A	14.8A	17.8A	2ms	2ms	2ms
11K	80	7.7A	14.8A	17.8A	2ms	2ms	2ms

## Low Bay Models

LE Models	Watt	In rush current @ input voltage			Time duration of in rush current @ input voltage		
		120V AC	230V AC	277V AC	120V AC	230V AC	277V AC
18K	154	7.7A	14.8A	17.8A	2ms	2ms	2ms
14K	114	7.7A	14.8A	17.8A	2ms	2ms	2ms
9K	80	7.7A	14.8A	17.8A	2ms	2ms	2ms
6K	56	7.7A	14.8A	17.8A	2ms	2ms	2ms
4K	42	7.7A	14.8A	17.8A	2ms	2ms	2ms

**DISCLAIMER.** All product information provided is, to the best of Dialight's knowledge, accurate as of the date of publication. When ordering, refer to [www.dialight.com](http://www.dialight.com) for current versions of: (a) relevant product documentation (including the relevant product data sheets); (b) Dialight terms and conditions of sale; and, (c) the relevant product warranty. To the extent that any contract is deemed formed between Dialight and the purchaser of Dialight products and/or an end-user, versions of documents available at [www.dialight.com](http://www.dialight.com) as at the date of sale shall be the versions incorporated therein. In the event of any discrepancy between this document or information provided at [www.dialight.com](http://www.dialight.com), the latter shall prevail.

# Inrush Currents

## Passive Models

Passive Electrical	347V		480V	
	Peak current (A)	T50 Duration (ms)	Peak current (A)	T50 Duration (ms)
26k	4	3	8	2
18k	3.5	3	6	2
14k	2	4	6	2
11k	2	4	6	2

## CID1 Models

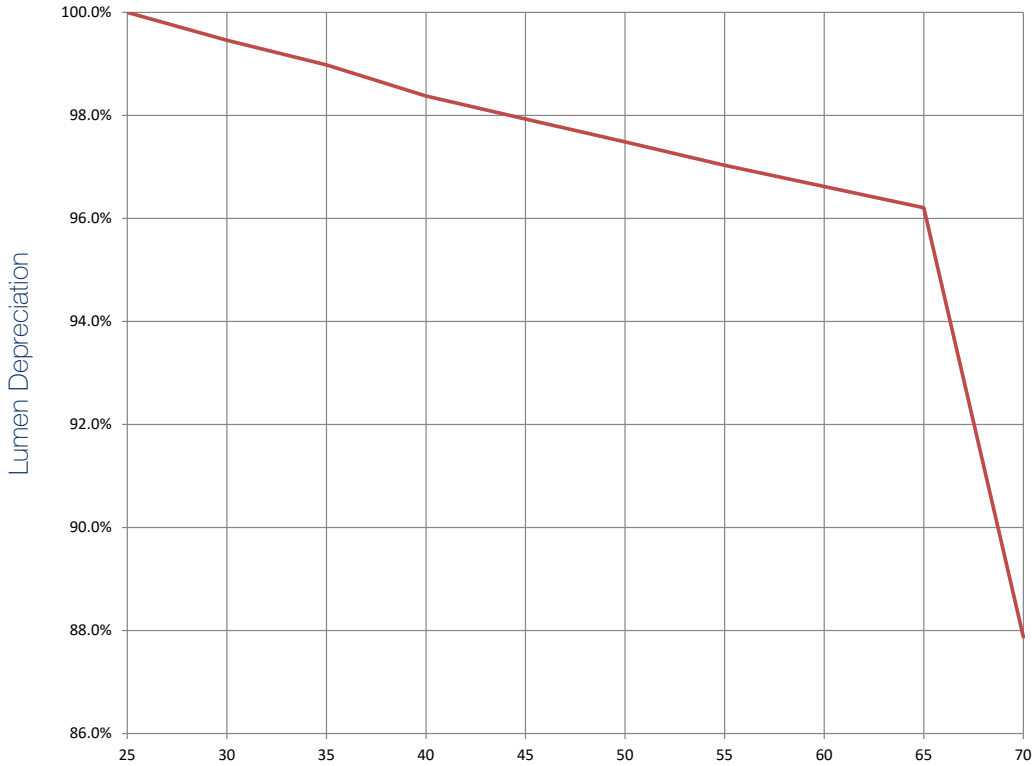
HEC/ HEM HEP Models	Watt	In rush current @ input voltage			Time duration of in rush current @ input voltage		
		120V AC	230V AC	277V AC	120V AC	230V AC	277V AC
23K	186	7.7A	14.8A	17.8A	2mS	2mS	2mS
18K	129	7.7A	14.8A	17.8A	2mS	2mS	2mS
12K	102	7.7A	14.8A	17.8A	2mS	2mS	2mS
9K	80	7.7A	14.8A	17.8A	2mS	2mS	2mS

# Lumen Maintenance Factor

		Vigilant High Bay (Hours)									
Ambient Celsius		Ambient	0	15000	30000	45000	60000	75000	90000	100000	150000
25		100%	98%	97%	96%	95%	94%	93%	92%	91%	89%
30		99%	96%	95%	94%	93%	92%	91%	90%	89%	87%
35		98%	95%	94%	93%	92%	91%	89%	89%	88%	85%
40		97%	94%	93%	92%	90%	89%	88%	87%	87%	83%
45		96%	93%	91%	90%	89%	87%	87%	86%	85%	80%
50		95%	92%	90%	88%	87%	85%	85%	84%	83%	78%
55		94%	90%	89%	87%	85%	83%	83%	82%	81%	75%
60		93%	89%	87%	85%	83%	82%	82%	80%	79%	73%
65		90%	85%	83%	80%	78%	76%	76%	74%	73%	67%

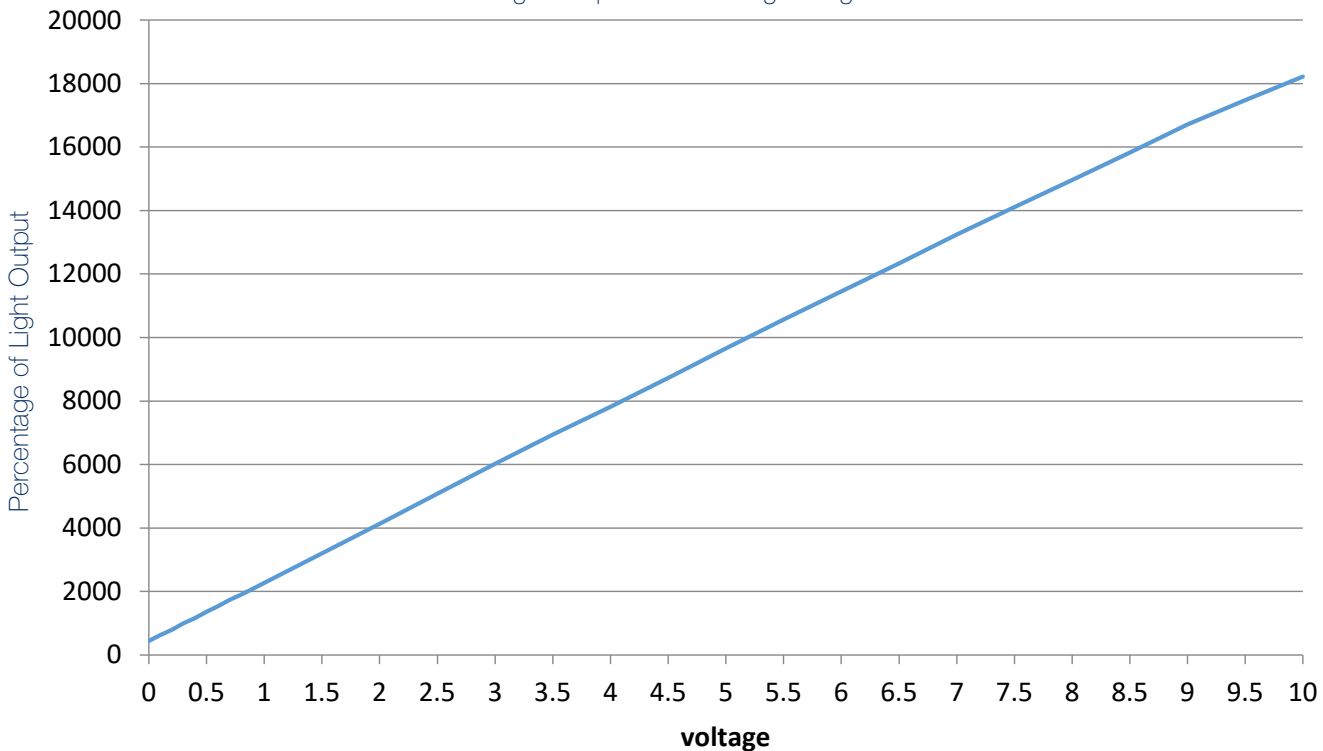
**DISCLAIMER.** All product information provided is, to the best of Dialight's knowledge, accurate as of the date of publication. When ordering, refer to [www.dialight.com](http://www.dialight.com) for current versions of: (a) relevant product documentation (including the relevant product data sheets); (b) Dialight terms and conditions of sale; and, (c) the relevant product warranty. To the extent that any contract is deemed formed between Dialight and the purchaser of Dialight products and/or an end-user, versions of documents available at [www.dialight.com](http://www.dialight.com) as at the date of sale shall be the versions incorporated therein. In the event of any discrepancy between this document or information provided at [www.dialight.com](http://www.dialight.com), the latter shall prevail.

## Thermal Roll-Off



## Dimming Characterization 0 - 10V

Light Output VS Dimming Voltage



**DISCLAIMER.** All product information provided is, to the best of Dialight's knowledge, accurate as of the date of publication. When ordering, refer to [www.dialight.com](http://www.dialight.com) for current versions of: (a) relevant product documentation (including the relevant product data sheets); (b) Dialight terms and conditions of sale; and, (c) the relevant product warranty. To the extent that any contract is deemed formed between Dialight and the purchaser of Dialight products and/or an end-user, versions of documents available at [www.dialight.com](http://www.dialight.com) as at the date of sale shall be the versions incorporated therein. In the event of any discrepancy between this document or information provided at [www.dialight.com](http://www.dialight.com), the latter shall prevail.

### Vigilant® LED High Bay / Low Bay 100-277V AC



**HBXW3-SSL-316**  
**HBXW3-SSL-304**

- Stainless steel bracket



**HBXCAB48**

- 48" long stainless steel safety rope (for use with safety bracket)



**HBXDC**

- 21° slope dust cover

**HBXDC45**

- 45° slope dust cover

**HBXDC60**

- 60° slope dust cover

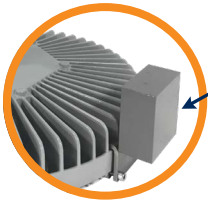


**HBXW3-SSL-304FT**

- 304 stainless steel forward throw bracket

**HBXW3-SSL-316FT**

- 316 Stainless steel forward throw bracket



**HBXCBOCCFSPG**  
**HBXCBOCCFSPK**

(Counter Balance Occ)

- Powder Coated Steel
- Stainless Steel



**HBXCG**

- Cable gland



**HBXW2**

- Swivel bracket and cable gland

**HBXW3**

- Swivel bracket



**HBXSB316**

- Stainless Steel (4x)



**HBXDUALBRCKT**

- Dual bracket



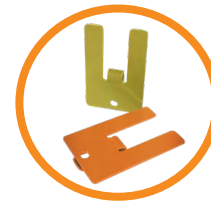
**HBXCU**

- Ceiling / wall mount



**LBXLENP**

- Polycarbonate dome lens replacement



**HBXFLAG-Y**  
**HBXFLAG-O**

- Yellow Aluminum
- Orange Aluminum
- Comes with 10 indicator flags



**HBXLENGC**

- Clear tempered glass

**HBXLENPC**

- Polycarbonate lens, clear

**HBXLENAC**

- Acrylic lens, clear



**HBXREF16**

- Acrylic reflector



**HBXFSIRREMOTE**

- Remote for occupancy sensor

**HBXLENPD**

- Polycarbonate lens, diffused

**HBXLENAD**

- Acrylic lens, diffused

**HBXLENGD**

- Diffused tempered glass

**Notes**

1) HBXLENGC Not applicable for Low Bay (Ultra Wide)

**DISCLAIMER.** All product information provided is, to the best of Dialight's knowledge, accurate as of the date of publication. When ordering, refer to [www.dialight.com](http://www.dialight.com) for current versions of: (a) relevant product documentation (including the relevant product data sheets); (b) Dialight terms and conditions of sale; and, (c) the relevant product warranty. To the extent that any contract is deemed formed between Dialight and the purchaser of Dialight products and/or an end-user, versions of documents available at [www.dialight.com](http://www.dialight.com) as at the date of sale shall be the versions incorporated therein. In the event of any discrepancy between this document or information provided at [www.dialight.com](http://www.dialight.com), the latter shall prevail.

## Vigilant® LED High Bay 347-480 VAC - UL / CSA



**HLXW2-SS**

- 316 stainless steel swivel bracket and cable gland

**HLXW3-SS**

- 316 Stainless Steel swivel bracket



**HBXW3-SSL-316FT**

**HBXW3-SSL-304FT**

- Stainless steel forward throw bracket



**HBXHHL**

- Hook



**HBXCU**

- Ceiling / wall mount



**HBXCG**

- Cable gland



**HBXFLAG-Y**

**HBXFLAG-O**

- Yellow Aluminum
- Orange Aluminum



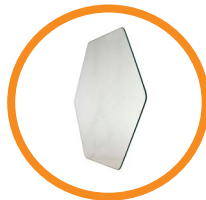
**HBXSB316**

- Stainless Steel (4x)



**HBXCAB48**

- 48" long stainless steel safety rope (for use with safety bracket)



**HBXLENGC**

- Clear tempered glass

**HBXLENPC**

- Polycarbonate lens, clear

**HBXLENAC**

- Acrylic lens, clear

**HBXLENDP**

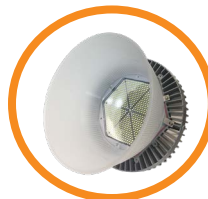
- Polycarbonate lens, diffused

**HBXLENAD**

- Acrylic lens, diffused

**LBXLENP**

- Polycarbonate dome lens



**HBXREF16**

- Acrylic reflector



**H6X-H**

- Hook option for 347/480V transformer models

## SafeSite® LED High Bay - High Efficiency - UL 844



Classifications:  
CID1 • CID2

**HBXW1**

- Wall mount
- HBXC1**
- Ceiling mount



Classifications: CID2

**HBXW2**

- Swivel bracket and cable gland



**HBXFLAG-Y**

**HBXFLAG-O**

- Yellow Aluminum
- Orange Aluminum



Classifications:  
CID2

**HBXCG**

- Cable gland



Classifications: CID2

**HBX-DUAL-BRCKT**

- Dual bracket



**HBXSB 316**

- Stainless steel (4x)



**HBXCAB48**

- 48" long stainless steel safety rope (for use with safety bracket)



Classifications:  
CID1 • CID2

**HBXW3-SSL-316**

- Stainless steel swivel bracket
- 316 Stainless steel

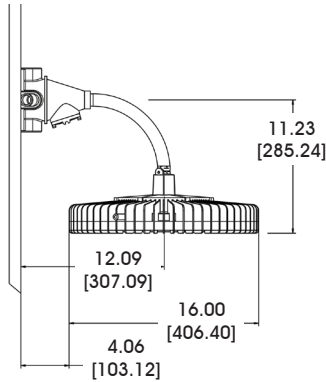
**HBXW3-SSL-304**

- Stainless steel swivel bracket
- 304 Stainless steel

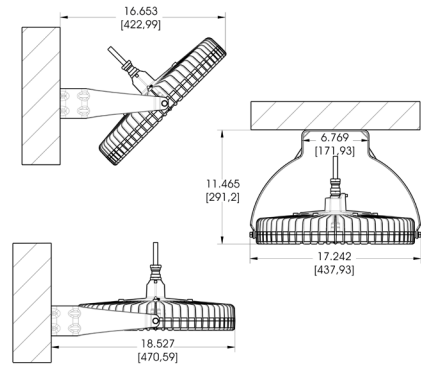
**DISCLAIMER.** All product information provided is, to the best of Dialight's knowledge, accurate as of the date of publication. When ordering, refer to [www.dialight.com](http://www.dialight.com) for current versions of: (a) relevant product documentation (including the relevant product data sheets); (b) Dialight terms and conditions of sale; and, (c) the relevant product warranty. To the extent that any contract is deemed formed between Dialight and the purchaser of Dialight products and/or an end-user, versions of documents available at [www.dialight.com](http://www.dialight.com) as at the date of sale shall be the versions incorporated therein. In the event of any discrepancy between this document or information provided at [www.dialight.com](http://www.dialight.com), the latter shall prevail.

# SafeSite® LED High Bay - High Efficiency - UL 844

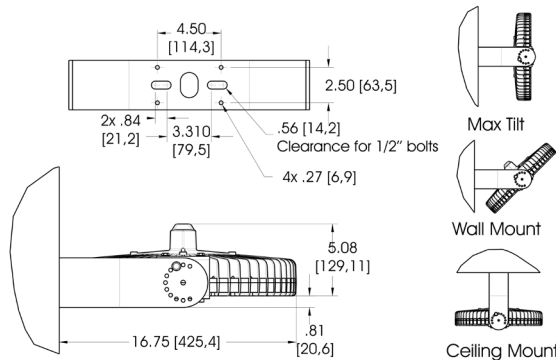
HBXW1 - Wall mount



HBXW2 - Swivel bracket and cable gland

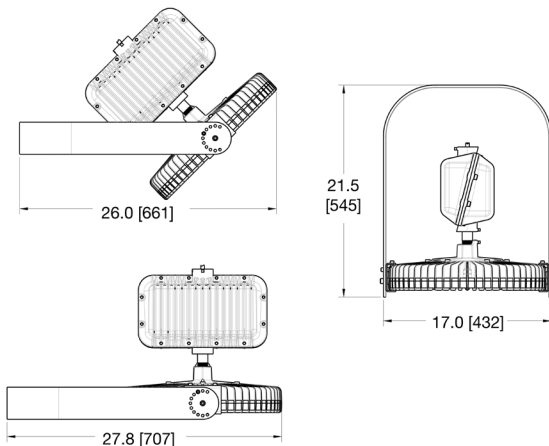


HBXW3-SSL-xxx - Stainless steel bracket

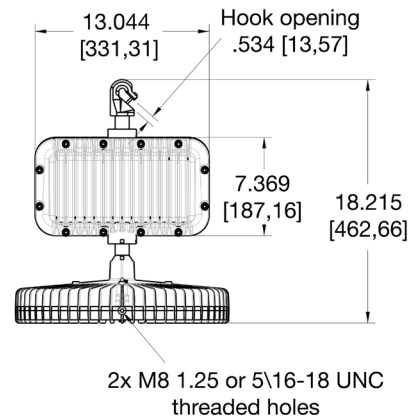


# Vigilant® LED High Bay Passive Power Supply - UL / CSA

HLXW3-SS - Swivel Bracket



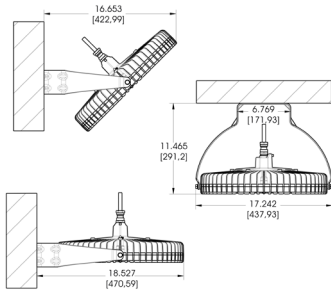
HBXHL - Hook



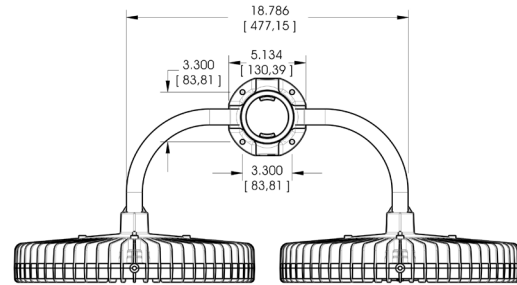
**DISCLAIMER.** All product information provided is, to the best of Dialight's knowledge, accurate as of the date of publication. When ordering, refer to [www.dialight.com](http://www.dialight.com) for current versions of: (a) relevant product documentation (including the relevant product data sheets); (b) Dialight terms and conditions of sale; and, (c) the relevant product warranty. To the extent that any contract is deemed formed between Dialight and the purchaser of Dialight products and/or an end-user, versions of documents available at [www.dialight.com](http://www.dialight.com) as at the date of sale shall be the versions incorporated therein. In the event of any discrepancy between this document or information provided at [www.dialight.com](http://www.dialight.com), the latter shall prevail.

# Vigilant® LED High Bay/ Low Bay - UL / CSA

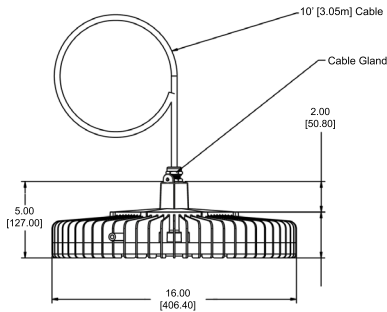
HBXW2 - Swivel Bracket and Cable Gland



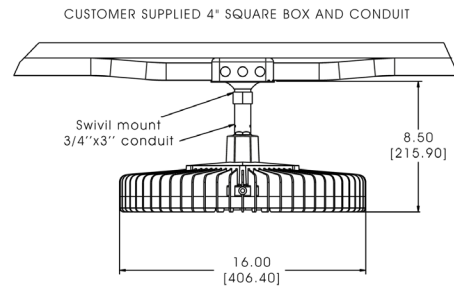
HBXDUALBRCKT - Dual Bracket



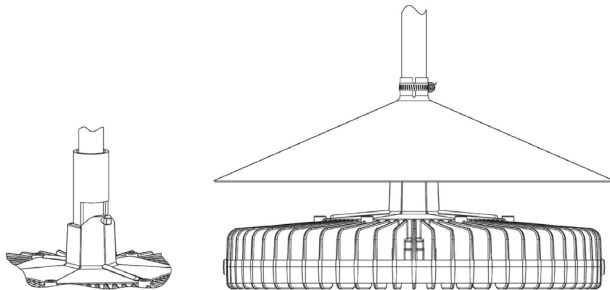
HBXCG - Cable Gland



HBXCU - Ceiling Mount



HBXDC - Dust Cover (HBXDC30 & HBXDC60)



**DISCLAIMER.** All product information provided is, to the best of Dialight's knowledge, accurate as of the date of publication. When ordering, refer to [www.dialight.com](http://www.dialight.com) for current versions of: (a) relevant product documentation (including the relevant product data sheets); (b) Dialight terms and conditions of sale; and, (c) the relevant product warranty. To the extent that any contract is deemed formed between Dialight and the purchaser of Dialight products and/or an end-user, versions of documents available at [www.dialight.com](http://www.dialight.com) as at the date of sale shall be the versions incorporated therein. In the event of any discrepancy between this document or information provided at [www.dialight.com](http://www.dialight.com), the latter shall prevail.



# Hazardous Locations Ratings - UL

Fixed and portable fixtures for installation and use in hazardous (classified) locations Class I, Divisions 1 and 2, Groups A, B, C, and D; Class II, Division 1, Groups E, F, and G; Class II, Division 2, Groups F and G; and Class III, Divisions 1 and 2, in accordance with the National Electrical Code, NFPA 70

## Classes

The classes define the general nature of hazardous material in the surrounding atmosphere.

Class	Hazardous Material in Surrounding Atmosphere
Class I	Hazardous because flammable gases or vapors are present in the air in quantities sufficient to produce explosive or ignitable mixtures
Class II	Hazardous because combustible or conductive dusts are present
Class III	Hazardous because ignitable fibers or flying's are present, but not likely to be in suspension in sufficient quantities to produce ignitable mixtures. Typical wood chips, cotton, flax and nylon. Group classifications are not applied to this class

## Divisions

The division defines the probability of hazardous material being present in an ignitable concentration in the surrounding atmosphere.

Division	Presence of Hazardous Material
Division 1	The substance referred to by class is present during normal conditions
Division 2	The substance referred to by class is present only in abnormal conditions, such as a container failure or system breakdown

## Groups

The group defines the hazardous material in the surrounding atmosphere.

Group	Hazardous Material in Surrounding Atmosphere
Group A	Acetylene
Group B	Hydrogen, fuel and combustible process gases containing more than 30% hydrogen by volume or gases of equivalent hazard such as butadiene, ethylene, oxide, propylene oxide and acrolein
Group C	Carbon monoxide, ether, hydrogen sulfide, morphine, cyclopropane, ethyl and ethylene or gases of equivalent hazard
Group D	Gasoline, acetone, ammonia, benzene, butane, cyclopropane, ethanol, hexane, methanol, methane, vinyl chloride, natural gas, naphtha, propane or gases of equivalent hazard
Group E	Combustible metal dusts, including aluminum, magnesium and their commercial alloys or other combustible dusts whose particle size, abrasiveness and conductivity present similar hazards in connection with electrical equipment
Group F	Carbonaceous dusts, carbon black, coal black, charcoal, coal or coke dusts that have more than 8% total entrapped volatiles or dusts that have been sensitized by other material so they present an explosion hazard
Group G	Flour dust, grain dust, flour, starch, sugar, wood, plastic and chemicals

Reference:  
[http://www.engineeringtoolbox.com/hazardous-areas-classification-d\\_347.html](http://www.engineeringtoolbox.com/hazardous-areas-classification-d_347.html)

**DISCLAIMER.** All product information provided is, to the best of Dialight's knowledge, accurate as of the date of publication. When ordering, refer to [www.dialight.com](http://www.dialight.com) for current versions of: (a) relevant product documentation (including the relevant product data sheets); (b) Dialight terms and conditions of sale; and, (c) the relevant product warranty. To the extent that any contract is deemed formed between Dialight and the purchaser of Dialight products and/or an end-user, versions of documents available at [www.dialight.com](http://www.dialight.com) as at the date of sale shall be the versions incorporated therein. In the event of any discrepancy between this document or information provided at [www.dialight.com](http://www.dialight.com), the latter shall prevail.

## North American HQ

1501 Route 34 South  
Farmingdale, NJ 07727  
Tel: 732-919-3119  
Fax: 732-751-5778  
info@dialight.com

## EMEA Technical Centre

Ejby Industrivej 91 B  
2600 Glostrup  
Tel: +45 8877 4545 (Denmark)  
Tel: +44 1638 666541 (UK)  
Tel: +49 89 12089 5713 (Germany)  
Tel: +33 3 23 22 62 58 (France)  
sales-europe@dialight.com

## Houston

16830 Barker Springs Rd  
Ste 407  
Houston, TX 77084  
Tel: 732-919-3119  
Fax: 281-492-1531  
info@dialight.com

## Middle East

205, Clover Bay Tower,  
Al Abraj Street, Business Bay  
P.O. Box 123997 Dubai, U.A.E.  
Tel: +971 (4) 818 31 56

## Australia

108 Howe Street  
Osborne Park, WA 6017  
Tel: +61 (0) 8 9244 7600  
Fax: +61 (0) 8 9244 7601  
info@dialight.com.au

## Southeast Asia

33 Ubi Avenue 3  
#07-72 Vertex (Tower A)  
Singapore 408868  
Tel: +65 6578 7157  
Fax: +65 6578 7150  
enquiry@dialight.com.sg

## Brazil

Alameda Mercurio,  
225 – American Park Empresarial NR  
Indaiatuba – SP – 13347– 662  
Tel: +55 (19) 3113-4300  
Fax: +55 (19) 3113-4300  
brasil@dialight.com

### WARNING / DISCLAIMERS:

**Installation & secondary retention.** The use of this product without proper installation (including secondary retention / netting) and periodic inspections, could cause severe injury or death. Dialight recommends that all installations should use secondary retention / netting (appropriate to the installation environment) as applicable. Dialight products are intended for ultimate purchase, installation and operation by knowledgeable persons trained in the functional assessment, installation, use and maintenance of such products and all customers (including but not limited to end customers) are responsible for assessing the suitability of Dialight products for any given installation requirement. It is the exclusive responsibility of the contractor, installer and/or end-user to: (a) determine the suitability of the product for its intended application; and, (b) ensure that the product is safely installed (with secondary retention / netting as appropriate) and in compliance with all applicable laws and regulations.

**Product specifications & warranties.** All product information provided is, to the best of Dialight's knowledge, accurate as of the date of publication. All values and performance data herein are design or typical values when measured under laboratory conditions. The information herein is subject to change without notice. The products / software detailed herein are subject to applicable warranties and terms and conditions of use/purchase. Unless agreed otherwise in writing by an authorized representative of Dialight, Dialight does not represent that its products are fit for any particular purpose and accepts no liability for the installation and/or unauthorised use of its products. When ordering, refer to [www.dialight.com](http://www.dialight.com) for current versions of: (a) relevant product documentation (including relevant product data sheets); (b) Dialight terms and conditions of sale; and, (c) the relevant product warranties. To the extent that any contract is deemed formed between Dialight and the purchaser of Dialight products and/or an end-user, versions of documents available at [www.dialight.com](http://www.dialight.com) as at the date of sale shall be the versions incorporated therein. In the event of any discrepancy between this document and information provided at [www.dialight.com](http://www.dialight.com), the latter shall prevail.

**Exclusion of liability.** To the extent permissible under the relevant law, Dialight disclaims all liability for personal injury and/or other damage resulting from any dislodgment or other dislocation of its products. Whilst Dialight has used its reasonable endeavours to ensure the completeness and accuracy of information herein, Dialight does not assume any liability for damages resulting from use of this information or for any third-party representations made in relation to Dialight products.