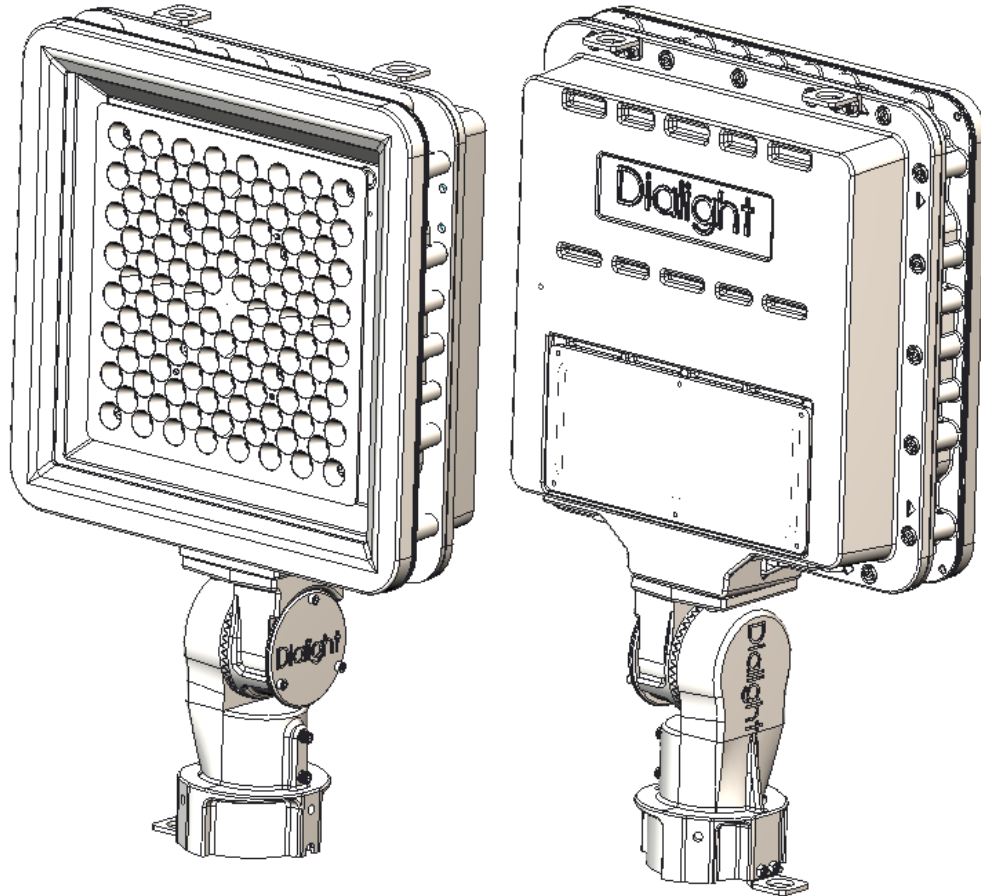


Installation / Operating Instructions

These instructions contain safety information, read and follow them carefully.

Dialight will not accept any responsibility for injury, damage or loss, which may occur due to incorrect installation, operation or maintenance.



Note: Save these instructions for future use



WARNING:

To avoid the risk of fire, explosion, or electric shock, this product should be installed, inspected, and maintained by a qualified electrician in accordance with all applicable electrical rules and regulation.

Safety Instruction:

To avoid electric shock:

- ◆ Be certain electrical power is OFF before and during installation and maintenance.
- ◆ Luminaire must be connected to a wiring system with an equipment-grounding conductor.
- ◆ Make sure the supply voltage is the same as the rated luminaire voltage.
- ◆ The technical data indicated on the LED luminaires are to be observed.
- ◆ Changes of the design and modifications to the LED luminaire are not permitted.
- ◆ Observe the national/regional electrical safety rules and regulations during installation.
- ◆ No field replaceable parts.

Technical Data:

DuroSite® Ratings and Certifications:

- UL 1598/A
- CSA C22.2 No.250
- IK07 (glass) / IK10 (polycarbonate)
- IP66/67
- Nema 4x

Operating Temperature Range:
-40°C to +65°C [-40°F to +149°F]

Rated Input Voltage:
100-277 VAC, 50/60 Hz
347-480 VAC, 50/60 Hz

Power Consumption:
10k Lumens Series: 110 W*
15k Lumens Series: 140 W*

Housing Material:
Copper-free Cast Aluminum

Weight:
10k Lumens Series: 27 lbs. [12.3 kg]
15k Lumens Series: 30 lbs. [13.6 kg]

Dimensions:
Refer to Technical Diagram section

* Wattage stated is for reference only. Refer to luminaire product label for actual value.

Luminaire Application:

The luminaire can be used inside or outside to illuminate general areas.

Always transport and store the luminaire in its original packaging and keep in a dry location.

When unpacking, check for any cracks or damage to the castings and lens. If in doubt, do not install.

The slip fitter luminaire is designed to be mounted over a 2" (5.1cm) pole or tenon (2.38" (6.05cm) O.D. max), allowing a vertical tilt in 2.5° increments and lateral rotation.

Mounting of Luminaire:

The luminaire is equipped with an adjustable pole split fitter. Refer to Installation of Luminaire section for further details.

CAUTION



It is important to assure that the application structure can support the weight of the luminaire. Dialight is not responsible for damage to application structure or to luminaire, if mounted improperly.

Installation of Luminaire:

Remove **cover** from slip fitter and separate the **pole base** from **junction base**.
Refer to [Fig.1] Technical Diagram section.

CAUTION



Do not lose any of the hardware included.

Slide the **pole base** onto application pole and feed source wire conductor through the opening of the **pole base**.

Slightly tighten the set screws of the **pole base**.
torque tightening will occur at later stage
Refer to [Fig.2] Technical Diagram section.

Any cabling used must be suitable for site application and/or the site requirements

Feed the source wire conductor into the **junction base** mounted on the luminaire and engage the **junction base** with the mounted **pole base**.
Refer to [Fig.3] Technical Diagram section.

Engage the captive pivot 7/16 hex bolt of the **junction base** into the **pole base** to secure the luminaire, but still allow the luminaire to tilt for light pattern aiming.
torque tightening will occur at later stage
Refer to [Fig.4] Technical Diagram section.

Tilt and turn the luminaire to desired position on the application pole to illuminate the desired area.
Refer to [Fig.5] Technical Diagram section.

Once the luminaire is at the desired position, tighten the pivot hex bolt to the recommended torque.
recommended torque = 11 ft.lb. [14.9 Nm]
Refer to [Fig.6] Technical Diagram section.

Tighten the set screws of the pole base to secure position on the application pole to the recommended torque.
recommended torque = 5 ft.lb. [6.8 Nm]
thread lock is recommended
Refer to [Fig.7] Technical Diagram section.

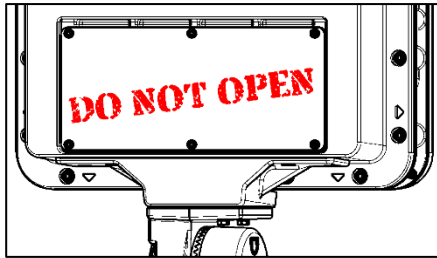
Proceed to wire the luminaire with power by following the instructions in the Electrical Connection section.



Opening or Closing the Luminaire:

In order to retain seal integrity and preserve warranty, do not loosen or remove any of the bolts around the perimeter of the luminaire nor the hardware on the rear panel of the luminaire.

NOTE: There are no serviceable components inside the luminaire.



WARNING



Removal or loosening of any of the mentioned hardware will void all warranties.

Electrical Connections for Luminaire:

The connections are presented in the following table:

	CONNECTION	WIRE COLOR
	EARTH	Green
N	NEUTRAL	White
L1	LIVE	Black

- If connecting to 208 VAC (two 120 VAC phases), connect the phase 1 conductor to L1 and the phase 2 conductor to N
- Since only L1 input is internally fused, an external fuse may be connected to N input if required.

Connections are to be made in accordance with national/regional electrical safety rules and regulations.

Once conductors are secured and connected, restore proper power to the luminaire and check for illumination.

CAUTION



Do not look directly into luminaire once powered and lit. Use protective shaded eye wear when viewing from of luminaire.



Once proper illumination is confirmed, tuck any excess wiring into the junction base. Assure none of the wiring can be pinched when replacing cover.

Replace the cover and tighten the hardware using the recommended torque to assure a proper seal.

recommended torque = 1 in.lb [1.4 Nm]
Refer to [Fig.8] Technical Diagram section.

Secondary Safety Retention: (optional)

When using a cable/chain/etc. for secondary safety retention, ensure that there is slack (min. less than 1 ft. (30.5 cm) in length after installation. Loop and engage the cable/chain/etc. in accordance with provided instructions.

[Option 1]

Feed the cable/chain/etc. through the top corner openings designed into the luminaire. These openings are indicated by the arrows on the casting.

Refer to [Fig.9] Technical Diagram section.

[Option 2]

Feed the cable/chain/etc. through the top brackets mounted onto the luminaire.

Refer to [Fig.10] Technical Diagram section.

[Option 3]

Feed the cable/chain/etc. through the bracket mounted onto the pole base of the slip fitter.

Refer to [Fig.11] Technical Diagram section.

Option 1, 2 and 3 can be combined

Conditions and Use in Normal

Operations:

Prior to regular operation, check the luminaire for its correct installation and compliance with these instructions and other applicable regulations.

WARNING



Dialight is not responsible for improper installation of luminaire or improper use that does not conform to application regulations.

Maintenance and Inspection:

Within the scope of maintenance or inspection routine the following should be included:

- The lens should be cleaned periodically as needed to ensure continued photometric performance. Clean the lens with a damp, non-abrasive, lint free cloth.
- Inspect the luminaire to ensure that it is free of any obstructions or contamination (i.e. excessive dust build up). Clean with a non-abrasive cloth if needed.

- Perform visual mechanical and electrical inspections on a regular basis in accordance with all applicable electrical rules and regulation. Dialight recommends yearly routine inspections. Frequency of use and environment should determine this.

The luminaire should require a minimum amount of maintenance but if any unforeseen repairs are required, please contact Dialight or an authorized representative.

WARNING REMINDER



There are no serviceable parts inside the luminaire and to retain seal integrity and preserve warranty, do not loosen or remove any of the hardware previously mentioned.



Repairs / Overhaul / Modification:

The luminaire must be operated in accordance to the intended purpose and undamaged condition. Changes of the design and modifications to the LED luminaire are not permitted.

NOTE: Should the luminaire enclosure be damaged, only a full luminaire replacement will be permitted. In case of doubt, the equipment should be returned to Dialight for inspection/repair.

Disposal Recycling:

When the luminaire is disposed of, the respective national/regional regulations on waste disposal should be observed.



Chemical Compatibility Guide:

The chemical compatibility data referenced in this manual was supplied by the raw material manufacturers and is intended as a general guide. The data represents the basic material properties and does not necessarily represent the performance of the final product due to manufacturing process and design variations for each final product. Chemical compatibility is highly dependent on concentration, temperature, humidity, and other environmental conditions and therefore the customer assumes responsibility for evaluation of gaseous or direct contact chemical compatibility at their site prior to product installation.

www.dialight.com/pubs/MDTFCHEMRFLX001.pdf



Technical Diagrams

Dimensions: in [mm]

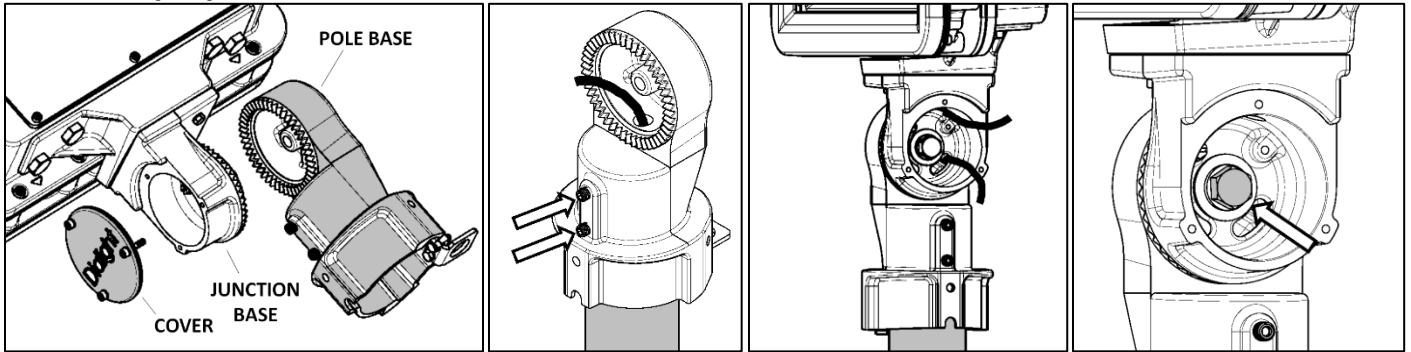


Fig.1

Fig.2

Fig.3

Fig.4

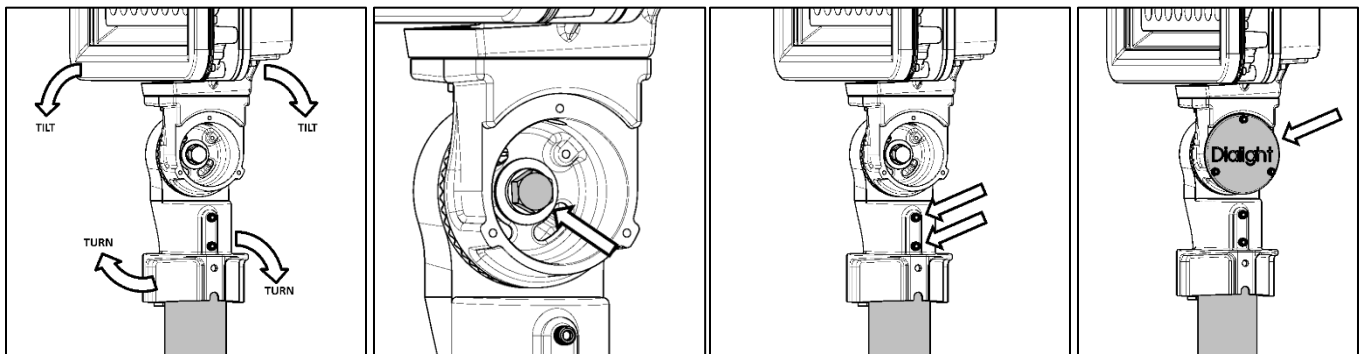


Fig.5

Fig.6

Fig.7

Fig.8

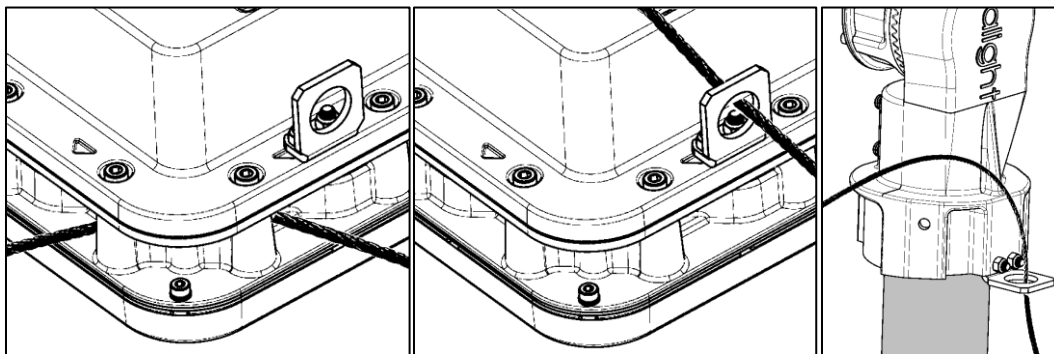


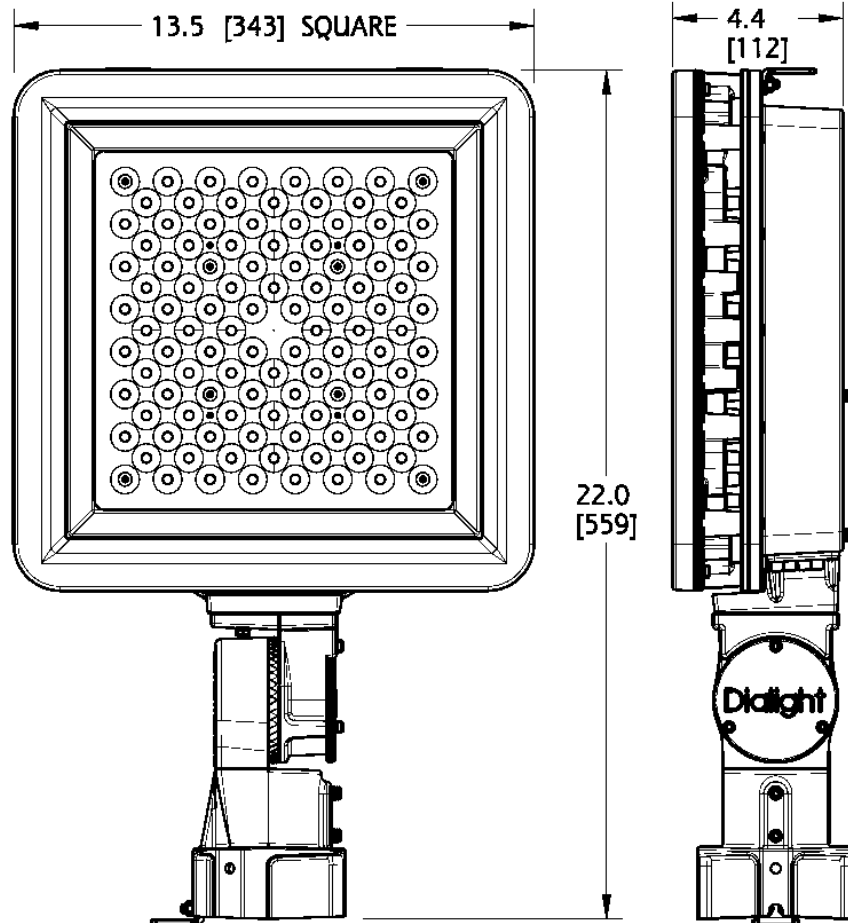
Fig.9

Fig.10

Fig.11

Overall Dimensions

Dimensions: in [mm]



Official Statement

All statements, technical information, and recommendations contained herein are based on information and tests that Dialight believes to be reliable. The accuracy or completeness thereof is not guaranteed. In accordance with Dialight Terms and Conditions of Sale and since conditions of use are outside our control, the purchaser should determine the suitability of the product for his or her intended use and assumes all risk and liability whatsoever in connection therewith.

