



# Dialight® LED Area Light - 24-48 VDC Models

Technical Specification Sheet - UL

## DuroSite® LED Area Light

### 24-48 VDC Models

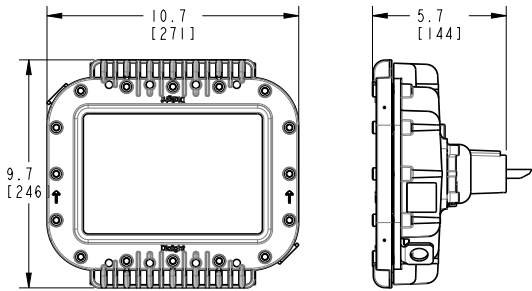


#### Certifications & Ratings\*

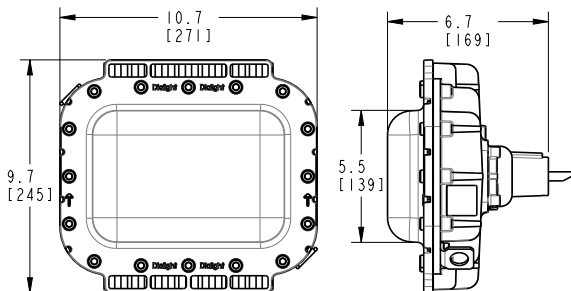
- 5 year warranty
- UL 1598/A
- CSA 22.2 No. 250.0
- IP66 / 67
- NEMA 4X

\*ETL listed

#### Tempered Glass Lens



#### Polycarbonate Lens



Dimensions in inches [mm]

#### Mechanical Information:

##### Fixture weight:

Wall mount models:	15 lbs (6.8 kg) - Polycarbonate lens 18 lbs (8.2 kg) - Tempered glass lens
45° wall mount models:	14 lbs (6.4 kg) - Polycarbonate lens 17 lbs (7.8 kg) - Tempered glass lens
45° stanchion mount:	15 lbs (6.7 kg) - Polycarbonate lens 18 lbs (8.1 kg) - Tempered glass lens
34mm conveyor mount:	15 lbs (6.7 kg) - Polycarbonate lens 18 lbs (8.1 kg) - Tempered glass lens

##### Shipping weight:

Add 2 lbs (0.91kg) to weights above

##### Cabling:

10' (3.5 m) 5 conductor SOOW  
14" (0.4 m) 5 conductor SOOW  
Terminal block option available for wall, wall 45° and stanchion 45°

##### Impact rating:

IK10 - Polycarbonate lens  
IK07 - Tempered glass lens

##### Vibration resistance:

Tested per IEC 60068-2-6

#### Electrical Specifications:

**Operating voltage:** 24 - 48 VDC

**Operating temperature:** -40°F to +149°F (-40°C to +65°C)

##### EMC:

FCC Title 47, Subpart B, Section 15, Class A device  
CISPR-15  
RF Immunity 20V/m 80MHz-1GHz.

##### Transient protection:

6 kV, 2 Ohm line-line and line-ground

##### Harmonics:

IEC 61000-3-2, Class C

#### Construction:

##### Housing:

Copper free aluminum

##### Finish:

Superior dual coat finish  
- Polyester topcoat  
- Epoxy primer

##### Lens:

Hard-coated polycarbonate  
Tempered glass

#### Photometric Information:

##### CRI:

75

##### CCT:

5000K (cool white)  
4000K (neutral white)

All values typical unless otherwise stated (tolerance +/- 10%)

**WARNING - INSTALLATION & SECONDARY RETENTION.** Use of any Dialight products without proper installation (including secondary retention / netting) and periodic inspections could cause severe injury or death. Dialight recommends that all installations should use secondary retention / netting (appropriate to the installation environment) where applicable. It is the exclusive responsibility of the contractor, installer and/or end-user to: (a) determine the suitability of the product for its intended application; and, (b) ensure that the product is safely installed (with secondary retention / netting where appropriate) and in compliance with all applicable laws and regulations. To the extent permissible under applicable laws, Dialight disclaims all liability for personal injury and/or other damage resulting from any dislodgment or other dislocation of its products.

## DuroSite® LED Area Light

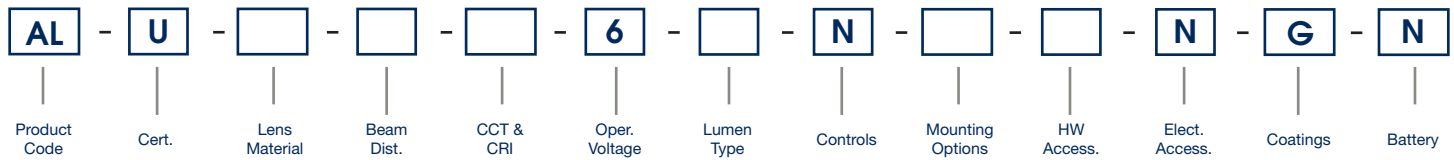
### 24-48 VDC Models



Project Information	
Part Number:	
Project:	
Fixture Type:	Date:

Specifications

### Ordering Information



**Product Code**

AL	Area Light
----	------------

**Certification**

U	UL 1598/A CSA 22.2 No. 250.0
---	------------------------------

**Lens Material**

5	Polycarbonate - Diffused
7	Glass - Clear

**Beam Distribution**

A	180°
B	360°

**CCT & CRI**

B	Cool White 5000K - 70 CRI
L	Neutral White 4000K - 70 CRI

**Operating Voltage**

6	24 - 48 VDC
---	-------------

**Lumen Type**

2	0.1-2K
5	4.1-5K
7	6.1-7K

**Controls**

N	No Options
---	------------

**Mounting Options**

	Retro-fit Adapter
	*Universal Mounting Adapter (UMA)

- A Appleton Mercmaster III
- B Swivel Bracket, Locking 0°- 90° 316 Stainless Steel
- C Crouse-Hinds - Champ
- G GE Filtr-Gard
- H Thomas & Betts Hazlux
- K Killark Certilite & Certilite V
- M Appleton Mercmaster II
- N 3/4" NPT
- S 45° Stanchion Mount
- U UMA - Mounting Hub
- V 0° Wall Mount
- W 45° Wall Mount
- Y 34mm Conveyor Mount

**Hardware Accessories**

N	No Option
W	10 ft (3 meter) Power Cable

**Electrical Accessories**

N	No Option
---	-----------

**Coatings**

G	Gray (RAL 7040)
---	-----------------

**Battery**

N	No Option
---	-----------

**Notes**

1) When using "UMA" or "Retro-fit" mounting options, Hardware Accessories = N.

**DISCLAIMER.** All product information provided is, to the best of Dialight's knowledge, accurate as of the date of publication. When ordering, refer to [www.dialight.com](http://www.dialight.com) for current versions of: (a) relevant product documentation (including the relevant product data sheets); (b) Dialight terms and conditions of sale; and, (c) the relevant product warranty. To the extent that any contract is deemed formed between Dialight and the purchaser of Dialight products and/or an end-user, versions of documents available at [www.dialight.com](http://www.dialight.com) as at the date of sale shall be the versions incorporated therein. In the event of any discrepancy between this document or information provided at [www.dialight.com](http://www.dialight.com), the latter shall prevail.

## SafeSite® LED Area Light 24-48 VDC Models

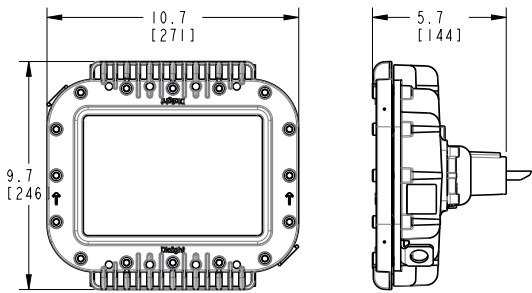


### Certifications & Ratings\*

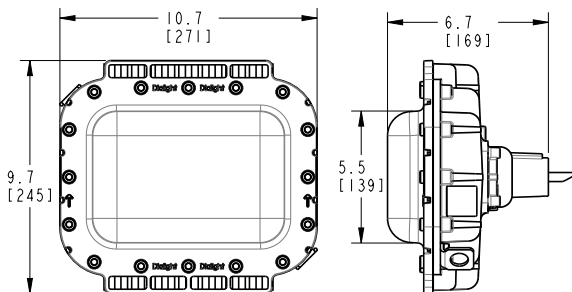
- 5 year warranty
- UL 844, UL 1598/A
- Class I, Div 1, Groups A, B, C, D
- Class I, Div 2, Groups A, B, C, D
- Class II, Div 1, Groups E, F, G
- Class II, Div 2, Groups F, G
- Class III, Div 1 & 2
- CSA 22.2 No. 137-M81
- CSA 22.2 No. 250.0
- IP66 / 67
- NEMA 4X
- Factory sealed

\*ETL listed

### Tempered Glass Lens



### Polycarbonate Lens



Dimensions in inches [mm]

### Mechanical Information:

<b>Fixture weight:</b>	4.5 lbs (5.5 kg) - Class I, Div. 1
CID2, Class II, Class III	10 lbs (4.5 kg) - Polycarbonate lens
	12 lbs (5.5 kg) - Glass lens
Wall mount models:	15 lbs (6.8 kg) - Polycarbonate lens
	18 lbs (8.2 kg) - Tempered glass lens
45° wall mount models:	14 lbs (6.4 kg) - Polycarbonate lens
	17 lbs (7.8 kg) - Tempered glass lens
45° stanchion mount:	15 lbs (6.7 kg) - Polycarbonate lens
	18 lbs (8.1 kg) - Tempered glass lens
34mm conveyor mount:	15 lbs (6.7 kg) - Polycarbonate lens
	18 lbs (8.1 kg) - Tempered glass lens

**Shipping weight:** Add 2 lbs (0.91kg) to weights above

**Cabling:** 10' (3.5 m) 5 conductor SOOW  
14" (0.4 m) 5 conductor SOOW

**Impact rating:** IK10 - Polycarbonate lens  
IK07 - Tempered glass lens

**Vibration resistance:** Tested per IEC 60068-2-6

### Electrical Specifications:

**Operating voltage:** 24 - 48 VDC

**Operating temperature:** -40°F to +149°F (-40°C to +65°C)

**EMC:** FCC Title 47, Subpart B, Section 15, Class A device  
RF Immunity 20V/m 80MHz-1GHz.

**Transient protection:** 6 kV, 2 Ohm line-line and line-ground

**Harmonics:** IEC 61000-3-2, Class C

### Construction:

**Housing:** Copper free aluminum

**Finish:** Superior dual coat finish  
- Polyester topcoat  
- Epoxy primer

**Lens:** Tempered glass

### Photometric Information:

**CRI:** 75

**CCT:** 5000K (cool white)  
4000K (neutral white)

All values typical unless otherwise stated (tolerance +/- 10%)

### Temperature Ratings

Ambient Temperature Range T4A	Ambient Temperature Range T5
-40°F to +149°F (-40°C to +65°C)	-40°F to +113°F (-40°C to +45°C)

**WARNING - INSTALLATION & SECONDARY RETENTION.** Use of any Dialight products without proper installation (including secondary retention / netting) and periodic inspections could cause severe injury or death. Dialight recommends that all installations should use secondary retention / netting (appropriate to the installation environment) where applicable. It is the exclusive responsibility of the contractor, installer and/or end-user to: (a) determine the suitability of the product for its intended application; and, (b) ensure that the product is safely installed (with secondary retention / netting where appropriate) and in compliance with all applicable laws and regulations. To the extent permissible under applicable laws, Dialight disclaims all liability for personal injury and/or other damage resulting from any dislodgment or other dislocation of its products.

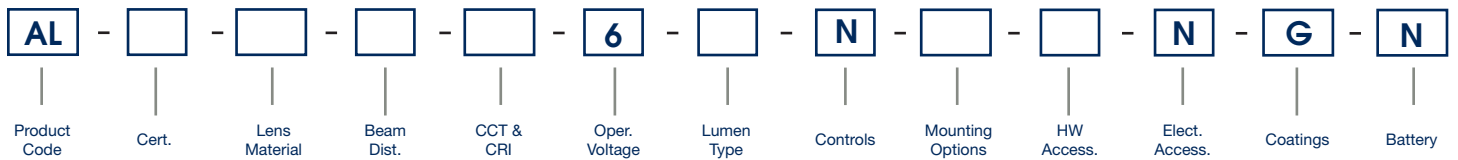
## SafeSite® LED Area Light 24-48 VDC Models



Project Information		
Part Number:		
Project:		
Fixture Type:		Date:

Specifications

### Ordering Information



#### Product Code

AL Area Light

#### Certification

- C UL 844 Class I Div. 1
- D UL 844 Class I Div. 2  
CSA 22.2 No. 137 - M81
- F UL 844 Class II Div. 1, 2  
Class I Div. 2  
CSA 22.2 No. 137 - M81
- P UL 844 Class I Div. 1 Group B  
(Hydrogen)

#### Lens Material

- 5 Polycarbonate - Diffused
- 7 Glass - Clear

#### Beam Distribution

- A 180°
- B 360°

#### CCT & CRI

- B Cool White 5000K - 70 CRI
- L Neutral White 4000K - 70 CRI

#### Operating Voltage

- 6 24 - 48 VDC

#### Lumen Type

- 2 0.1-2K
- 5 4.1-5K
- 7 6.1-7K

#### Controls

- N No Options

#### Mounting Options

- Retro-fit Adapter
- \*Universal Mounting Adapter (UMA)
- A Appleton Mercmaster III
- B Swivel Bracket, Locking 0°- 90°  
316 Stainless Steel
- C Crouse-Hinds - Champ
- G GE Filtr-Gard
- H Thomas & Betts Hazlux
- K Killark Certilite & Certilite V
- M Appleton Mercmaster II
- N 3/4" NPT
- S 45° Stanchion Mount
- U UMA - Mounting Hub
- V 0° Wall Mount
- W 45° Wall Mount
- Y 34mm Conveyor Mount

#### Hardware Accessories

- N No Option
- W 10 ft (3 meter) Power Cable

#### Electrical Accessories

- N No Option

#### Coatings

- G Gray (RAL 7040)

#### Battery

- N No Option

#### Notes

- 1) When using "UMA" or "Retro-fit" mounting options, Hardware Accessories = N.
- 2) When choosing certification C, Lens Material = 7, Mounting Option = B or N, Hardware Accessories = W

**DISCLAIMER.** All product information provided is, to the best of Dialight's knowledge, accurate as of the date of publication. When ordering, refer to [www.dialight.com](http://www.dialight.com) for current versions of: (a) relevant product documentation (including the relevant product data sheets); (b) Dialight terms and conditions of sale; and, (c) the relevant product warranty. To the extent that any contract is deemed formed between Dialight and the purchaser of Dialight products and/or an end-user, versions of documents available at [www.dialight.com](http://www.dialight.com) as at the date of sale shall be the versions incorporated therein. In the event of any discrepancy between this document or information provided at [www.dialight.com](http://www.dialight.com), the latter shall prevail.

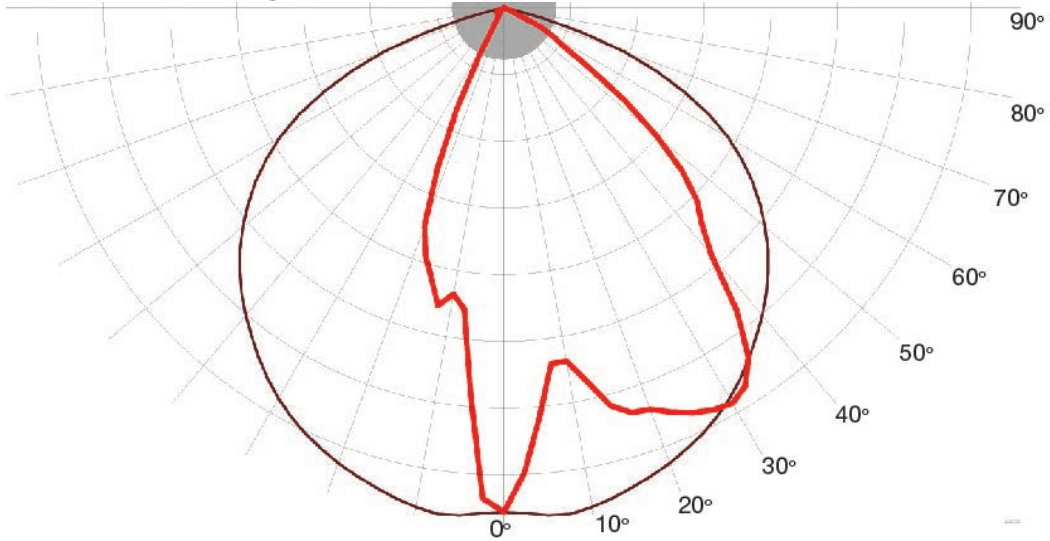
# Lumen Tables

24-48 VDC							
Output Family	Beam Distribution	Lens	Wattage	Lumens 5000 CCT	5000 CCT lm/W	Lumens 4000 CCT	4000 CCT lm/W
7,000	360°	1/4" AR Glass	71	7000	99	6800	97
		Class I, Div 1 Glass		6700	95	6500	93
		Polycarbonate		6700	95	6500	93
	180°	1/4" AR Glass		7000	99	6800	97
		Class I, Div 1 Glass		6700	95	6500	93
		Polycarbonate		6700	95	6500	93
5,000	360°	1/4" AR Glass	49	5000	102	4900	100
		Class I, Div 1 Glass		4800	98	4700	96
		Polycarbonate		4800	98	4700	96
	180°	1/4" AR Glass		5000	102	4900	100
		Class I, Div 1 Glass		4800	98	4700	96
		Polycarbonate		4800	98	4700	96
3,000	360°	1/4" AR Glass	27	3000	111	2900	109
		Class I, Div 1 Glass		2800	107	2800	105
		Polycarbonate		2800	107	2800	105
	180°	1/4" AR Glass		3000	111	2900	109
		Class I, Div 1 Glass		2800	111	2800	105
		Polycarbonate		2800	107	2800	105

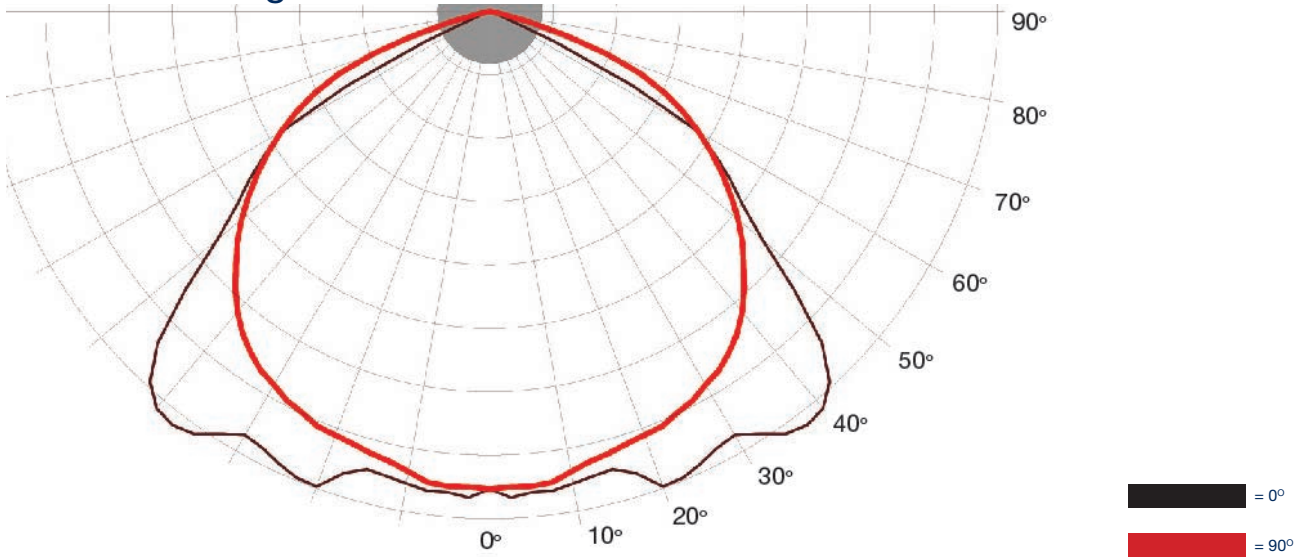
All values typical unless otherwise stated (tolerance +/- 10%)  
 For lighting layouts, please find IES files at [www.dialight.com](http://www.dialight.com)

# Beam Distribution

180° Beam Angle



360° Beam Angle



**DISCLAIMER.** All product information provided is, to the best of Dialight's knowledge, accurate as of the date of publication. When ordering, refer to [www.dialight.com](http://www.dialight.com) for current versions of: (a) relevant product documentation (including the relevant product data sheets); (b) Dialight terms and conditions of sale; and, (c) the relevant product warranty. To the extent that any contract is deemed formed between Dialight and the purchaser of Dialight products and/or an end-user, versions of documents available at [www.dialight.com](http://www.dialight.com) as at the date of sale shall be the versions incorporated therein. In the event of any discrepancy between this document or information provided at [www.dialight.com](http://www.dialight.com), the latter shall prevail.

## Mounting Options

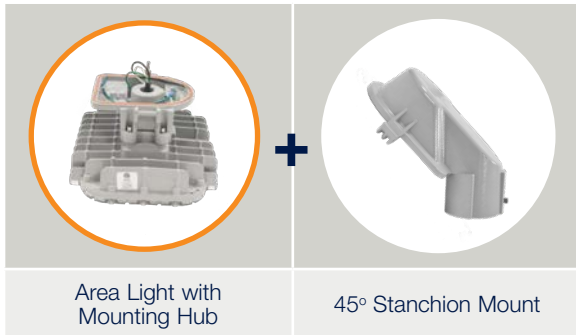
### Stanchion & Pole Mounting



**Area Light with 45° Stanchion Mount**

**Part Number:** ALxxx2xDSNxGN

Suitable for: CID2, CII, CIII, NEMA 4X, IP66



Area Light with Mounting Hub

45° Stanchion Mount

**Part Number:** ALxxx2xDUNxGN + HZXS45

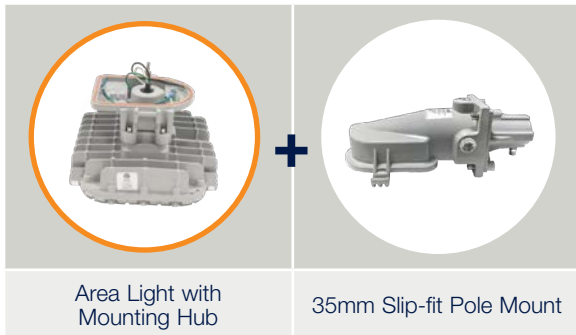
Suitable for: CID2, CII, CIII, NEMA 4X, IP66



**Area Light with 35mm Slip-fit Pole Mount**

**Part Number:** ALxxx2xDYNxGN

Suitable for: CID2, CII, CIII, NEMA 4X, IP66



Area Light with Mounting Hub

35mm Slip-fit Pole Mount

**Part Number:** ALxxx2xDUNxGN + HZXC34

Suitable for: CID2, CII, CIII, NEMA 4X, IP66



Area Light

Adjustable Bracket

Stanchion Mount Adapter

**Part Number:** ALxxx2xDNxxGN + HZXW3 + HZXSTANxxxx or HZXW4

Suitable for: CID1, CID2, CII, CIII, NEMA 4X, IP66

**DISCLAIMER.** All product information provided is, to the best of Dialight's knowledge, accurate as of the date of publication. When ordering, refer to [www.dialight.com](http://www.dialight.com) for current versions of: (a) relevant product documentation (including the relevant product data sheets); (b) Dialight terms and conditions of sale; and, (c) the relevant product warranty. To the extent that any contract is deemed formed between Dialight and the purchaser of Dialight products and/or an end-user, versions of documents available at [www.dialight.com](http://www.dialight.com) as at the date of sale shall be the versions incorporated therein. In the event of any discrepancy between this document or information provided at [www.dialight.com](http://www.dialight.com), the latter shall prevail.



# Mounting Products



ALxxx2xDUNxGN

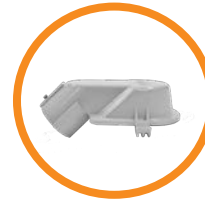
Fixtures are available with a universal mounting adapter factory installed, see product N-chart for details. Choose from one of the four available mounting options:



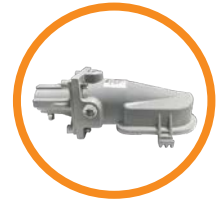
Wall Mount  
HZXW01



45° Wall Mount  
HZXW45



45° Stanchion Mount  
HZXS45



34mm Slip-fit Pole Mount  
HZXC34



Suitable for: CID2 • CIID1 • CIID2  
Certified to: UL 50E • CSA C22.2 No. 94.2-07

**HZXSTAN100S**

- 1.00" (1.315" Pole OD) Slip-fit stanchion mount

**HZXSTAN125S**

- 1.25" (1.660" Pole OD) Slip-fit stanchion mount

**HZXSTAN150S**

- 1.50" (1.900" Pole OD) Slip-fit stanchion mount

**HZXSTAN200S**

- 2.00" (2.375" Pole OD) Slip-fit stanchion mount



**HZXSTAN100T**

- 1.00" (1.315" Pole OD) NPT threaded stanchion mount

**HZXSTAN125T**

- 1.25" (1.660" Pole OD) NPT threaded stanchion mount

**HZXSTAN150T**

- 1.50" (1.900" Pole OD) NPT threaded stanchion mount

**HZXSTAN200T**

- 2.00" (2.375" Pole OD) NPT threaded stanchion mount



Suitable for: CID1 • CID2 • CIID1 • CIID2

**HZXW3**

- 316 stainless steel bracket

**HZXW7**

- Aluminum bracket



Suitable for: CID1 • CID2 • CIID1 • CIID2

**HZXW4**

- 316 stainless steel bracket with pipe clamp

**HZXW8**

- Aluminum bracket with pipe clamp



Suitable for: CID2 • CIID1 • CIID2

**HZXSAFECBLS**

- Safety cable kit



Suitable for: CID1

Certified to: UL 50E • UL 1203

ISA 12.12.01 • CSA C22.2 No. 94.2-07

**HBXC1**

- 0.75" NPT Ceiling mount



Suitable for: CID2

Certified to: UL 50E • CSA C22.2 No. 94.2-07

**HZXJB075**

- 0.75" Ceiling / Wall / Pole mount junction box

**HZXJB100**

- 1.00" Ceiling / Wall / Pole mount junction box

**HZXJB125**

- 1.25" Ceiling / Wall / Pole mount junction box

**HZXJB150**

- 1.50" Ceiling / Wall / Pole mount junction box



Suitable for: CID1

Certified to: UL 50E • CSA C22.2 No. 94.2-07

**HZXJB075PC1**

- 0.75" Junction box with photocell (120 volt only)

**HZXJB100PC1**

- 1.00" Junction box with photocell (120 volt only)

**HZXJB125PC1**

- 1.25" Junction box with photocell (120 volt only)

**HZXJB150PC1**

- 1.50" Junction box with photocell (120 volt only)

**DISCLAIMER.** All product information provided is, to the best of Dialight's knowledge, accurate as of the date of publication. When ordering, refer to [www.dialight.com](http://www.dialight.com) for current versions of: (a) relevant product documentation (including the relevant product data sheets); (b) Dialight terms and conditions of sale; and, (c) the relevant product warranty. To the extent that any contract is deemed formed between Dialight and the purchaser of Dialight products and/or an end-user, versions of documents available at [www.dialight.com](http://www.dialight.com) as at the date of sale shall be the versions incorporated therein. In the event of any discrepancy between this document or information provided at [www.dialight.com](http://www.dialight.com), the latter shall prevail.

## Retro-fit Options

Retro-fit adapters can be factory installed. See product ordering information for details.

- Eaton's Crouse-Hinds – Champ®
- GE Lighting Solutions – Filtr-Gard™
- Holophane Petrolux® II, III
- Thomas & Betts Hazlux®
- Appleton® Mercmaster III
- Appleton® Mercmaster II
- Killark® Certilite® & Certilite® V

\*Petrolux adapter available as a standalone accessory only



Eaton's Crouse-Hinds – Champ® - HZXTHCH				
Pendant	Ceiling	Wall	Stanchion	Quad Mount
APM2	CM2	TWM2	JM5	QM25
APM3	CM3	TWM3	PM5	
HPM2				



GE Lighting Solutions – Filtr-Gard™ - HZXTHGE				
Pendant	Ceiling	Wall	Stanchion	Quad Mount
3P	3F	3C	3W	5S
4P	4F		4W	6S
				5J, 6J



Holophane® Petrolux II, III - HZXTHP3				
Pendant	Universal	Stanchion	Ceiling	Wall
PD	UN	SA	CD	WL
GH		ST	CE	W
P		A	B, C, D	

**DISCLAIMER.** All product information provided is, to the best of Dialight's knowledge, accurate as of the date of publication. When ordering, refer to [www.dialight.com](http://www.dialight.com) for current versions of: (a) relevant product documentation (including the relevant product data sheets); (b) Dialight terms and conditions of sale; and, (c) the relevant product warranty. To the extent that any contract is deemed formed between Dialight and the purchaser of Dialight products and/or an end-user, versions of documents available at [www.dialight.com](http://www.dialight.com) as at the date of sale shall be the versions incorporated therein. In the event of any discrepancy between this document or information provided at [www.dialight.com](http://www.dialight.com), the latter shall prevail.

# Retro-fit Options



Thomas & Betts Hazlux® - HZXTHTB				
Pendant	Pendant Cone	Flexible Pendant	Ceiling	Wall
VP2	VA2	VF2	VC2	VB2
VP3	VA3	VF3	VC3	VB3
Wall	25° Angle Stanchion	25° Angle Stanchion	Straight Stanchion	Straight Stanchion
VB2-VIB	VS4	VS4-VIB	VL4	VL4-VIB
VB3-VIB	VS5	VS5-VIB	VL5	VL5-VIB



Appleton® Mercmaster III - HZXTHAP			
Pendant	Ceiling	Wall	Stanchion
KPA-75, 100	KPC-75	KPWB-75	KPS-125
KPAF-75, 100	KPC-100	KPWB-100	KPS-150
KPCH-75, 100			KPST-125
			KPST-150



Appleton® Mercmaster II - HZXTHM2			
Pendant	Ceiling	Wall	Stanchion
LPA-75	LPC-75	LPWB-75	LPS-125
LPA-100	LPC-100	LPWB-100	LPS-150

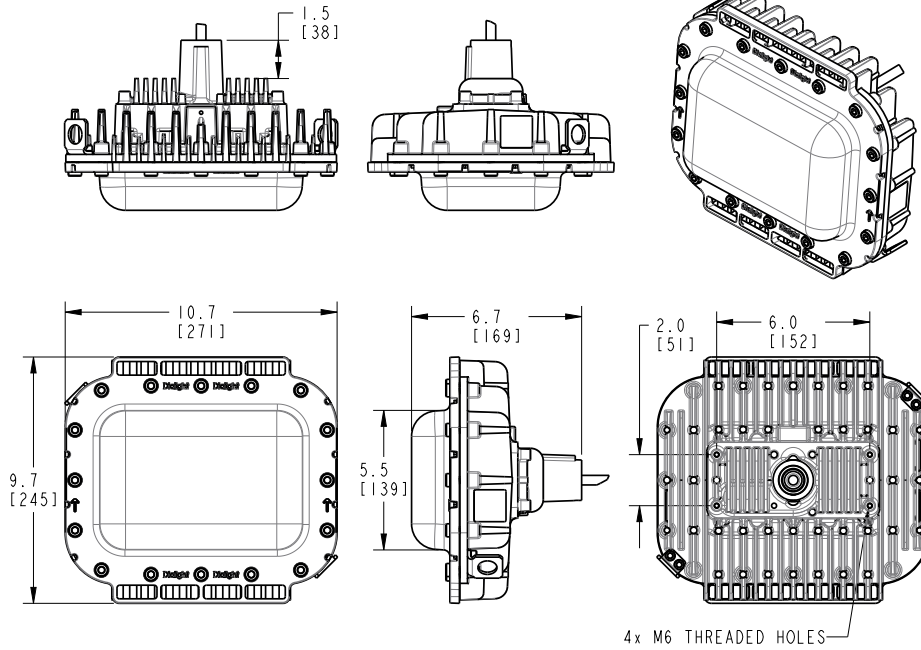


Killark® Certilite® & Certilite® V - HZXTHKL			
Pendant	Ceiling	Wall	Stanchion
VMA2B & VMA-2	VMX2B & VMX-2	VMB2B & VMB-2	VMD4B
VMA3B & VMA-3	VMX3B & VMX-3	VMB3B & VMB-3	VMD5B
VMC2B & VMC-2	VMX6B, 7B, 8B, 9B		VMS5B
VMC3B & VMC-3			
VMF2B, 3B			

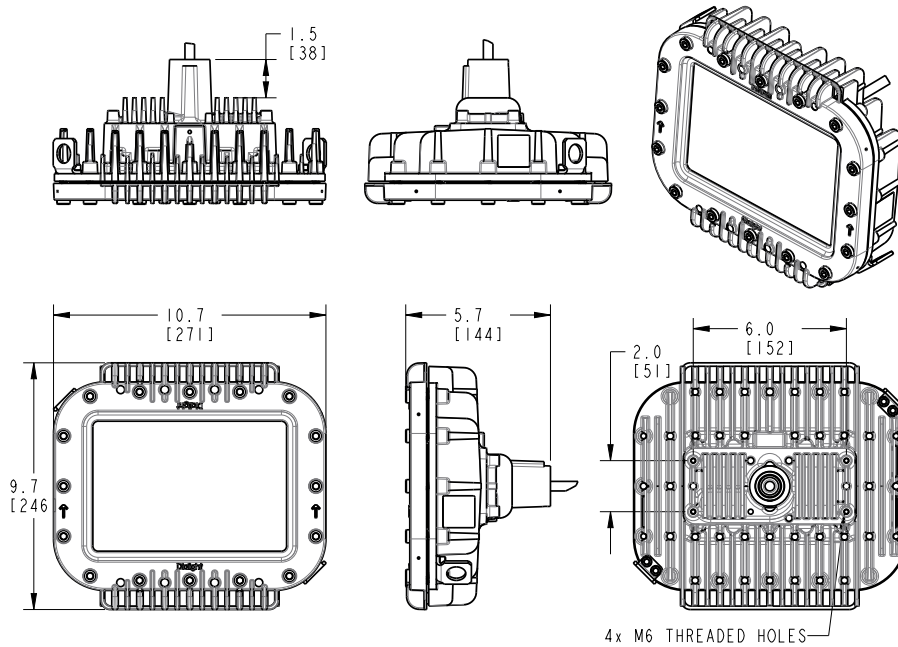
**DISCLAIMER.** All product information provided is, to the best of Dialight's knowledge, accurate as of the date of publication. When ordering, refer to [www.dialight.com](http://www.dialight.com) for current versions of: (a) relevant product documentation (including the relevant product data sheets); (b) Dialight terms and conditions of sale; and, (c) the relevant product warranty. To the extent that any contract is deemed formed between Dialight and the purchaser of Dialight products and/or an end-user, versions of documents available at [www.dialight.com](http://www.dialight.com) as at the date of sale shall be the versions incorporated therein. In the event of any discrepancy between this document or information provided at [www.dialight.com](http://www.dialight.com), the latter shall prevail.

# Dimensional Drawings - Area Light

## Polycarbonate Lens



## Tempered Glass Lens

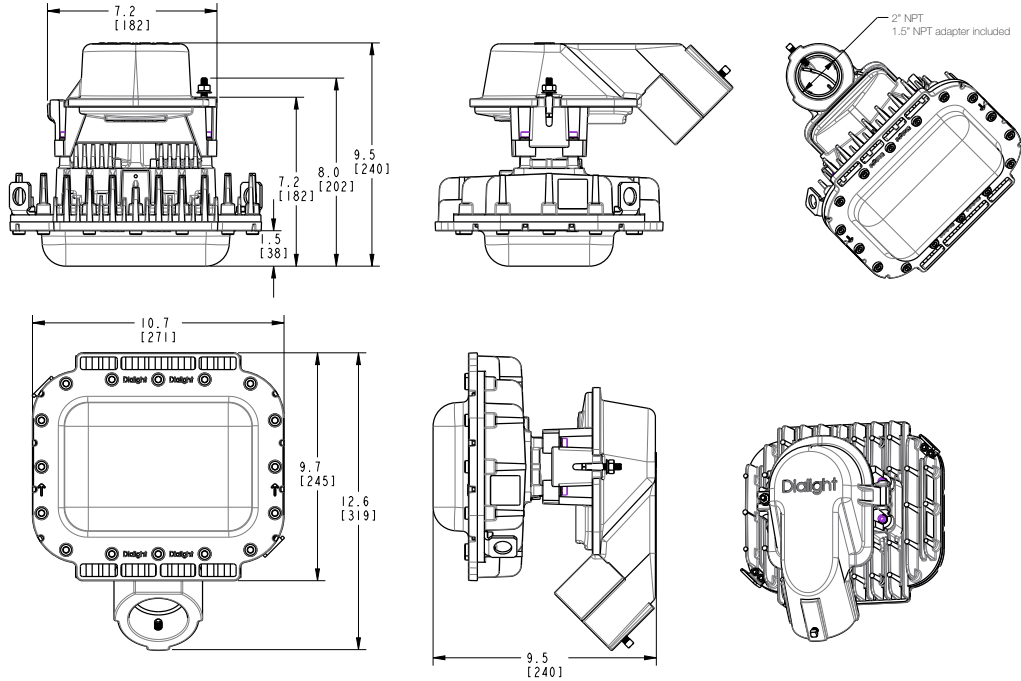


Dimensions in inches [mm]

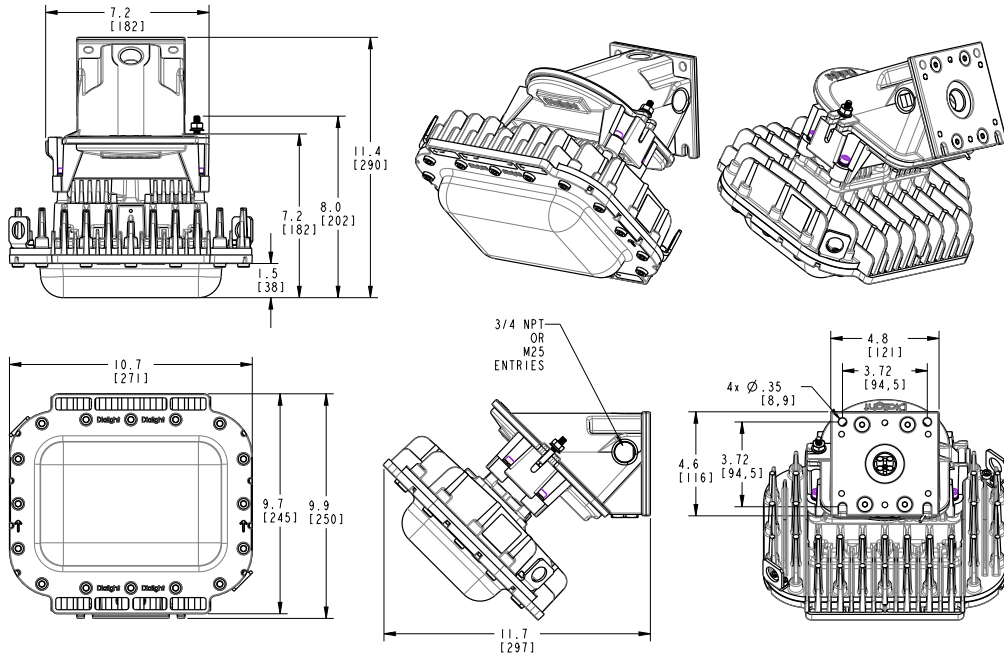
**DISCLAIMER.** All product information provided is, to the best of Dialight's knowledge, accurate as of the date of publication. When ordering, refer to [www.dialight.com](http://www.dialight.com) for current versions of: (a) relevant product documentation (including the relevant product data sheets); (b) Dialight terms and conditions of sale; and, (c) the relevant product warranty. To the extent that any contract is deemed formed between Dialight and the purchaser of Dialight products and/or an end-user, versions of documents available at [www.dialight.com](http://www.dialight.com) as at the date of sale shall be the versions incorporated therein. In the event of any discrepancy between this document or information provided at [www.dialight.com](http://www.dialight.com), the latter shall prevail.

# Dimensional Drawings - Universal Mounting Adapters

## 45° Stanchion Mount



## 45° Wall Mount

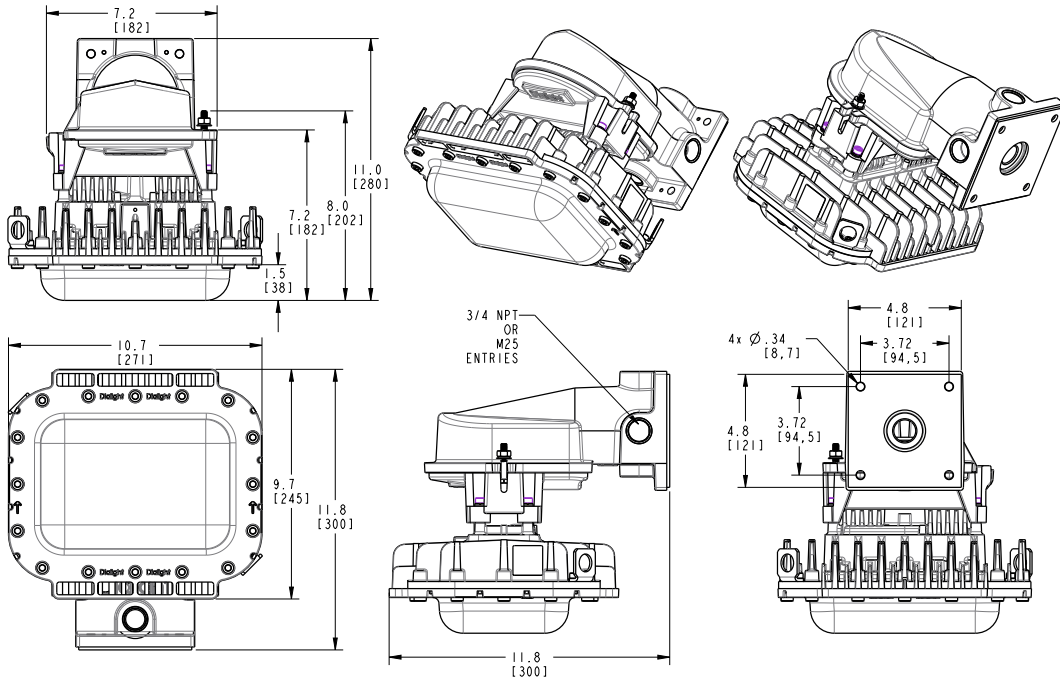


Dimensions in inches [mm]

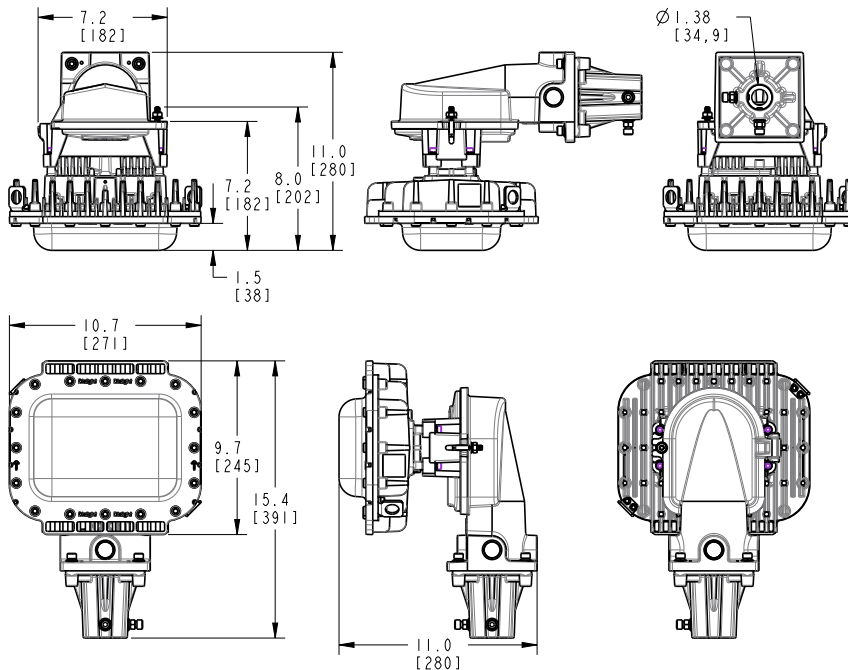
**DISCLAIMER.** All product information provided is, to the best of Dialight's knowledge, accurate as of the date of publication. When ordering, refer to [www.dialight.com](http://www.dialight.com) for current versions of: (a) relevant product documentation (including the relevant product data sheets); (b) Dialight terms and conditions of sale; and, (c) the relevant product warranty. To the extent that any contract is deemed formed between Dialight and the purchaser of Dialight products and/or an end-user, versions of documents available at [www.dialight.com](http://www.dialight.com) as at the date of sale shall be the versions incorporated therein. In the event of any discrepancy between this document or information provided at [www.dialight.com](http://www.dialight.com), the latter shall prevail.

# Dimensional Drawings - Universal Mounting Adapters

## Wall Mount



## 34mm Slip-Fit Pole Mount

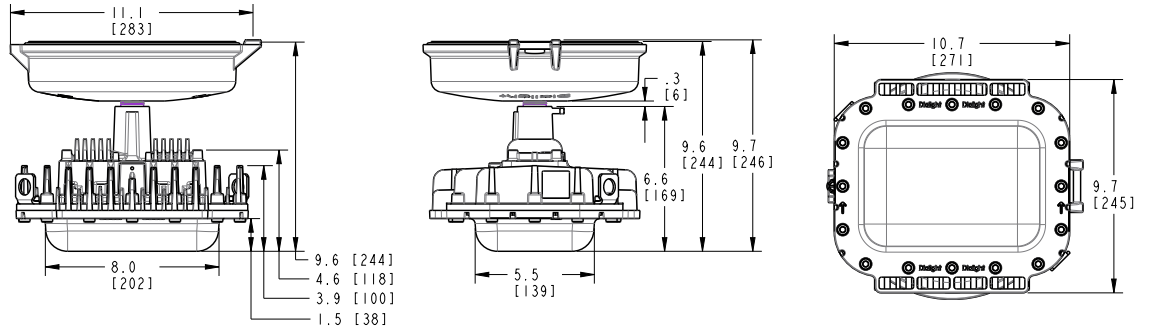


Dimensions in inches [mm]

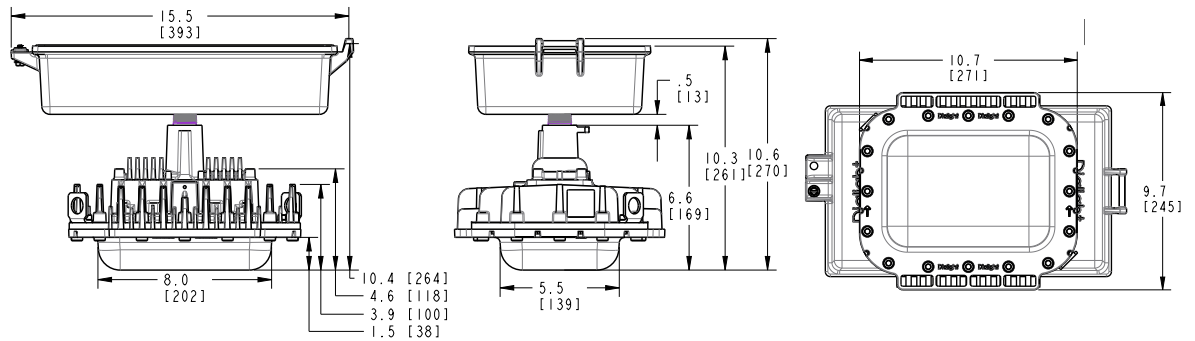
**DISCLAIMER.** All product information provided is, to the best of Dialight's knowledge, accurate as of the date of publication. When ordering, refer to [www.dialight.com](http://www.dialight.com) for current versions of: (a) relevant product documentation (including the relevant product data sheets); (b) Dialight terms and conditions of sale; and, (c) the relevant product warranty. To the extent that any contract is deemed formed between Dialight and the purchaser of Dialight products and/or an end-user, versions of documents available at [www.dialight.com](http://www.dialight.com) as at the date of sale shall be the versions incorporated therein. In the event of any discrepancy between this document or information provided at [www.dialight.com](http://www.dialight.com), the latter shall prevail.

# Dimensional Drawings - Retrofit Kits

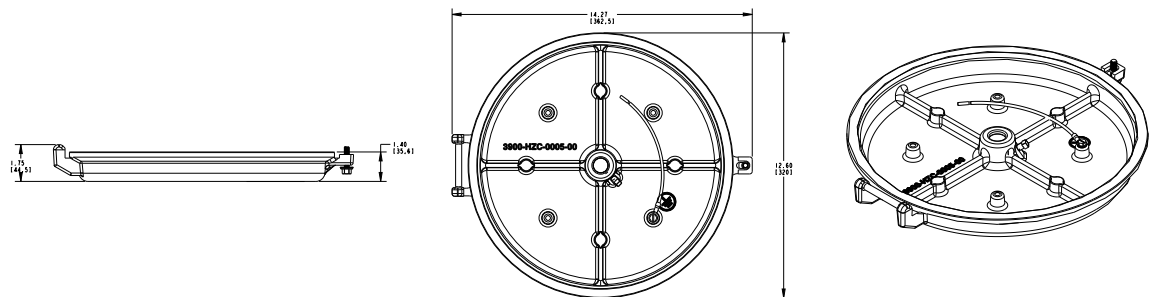
## Eaton's Crouse-Hinds – Champ® - HZXTHCH



## GE Lighting Solutions – Filtr-Gard™ - HZXTHGE



## Holophane® Petrolux II, III - HZXTHP3

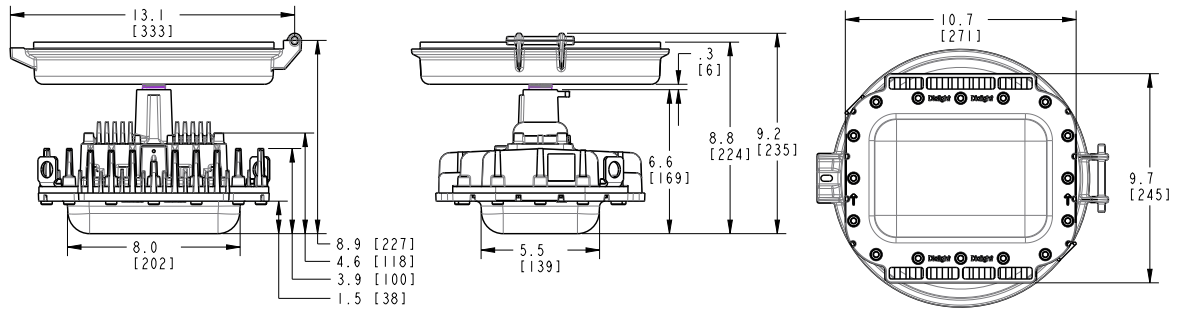


Dimensions in inches [mm]

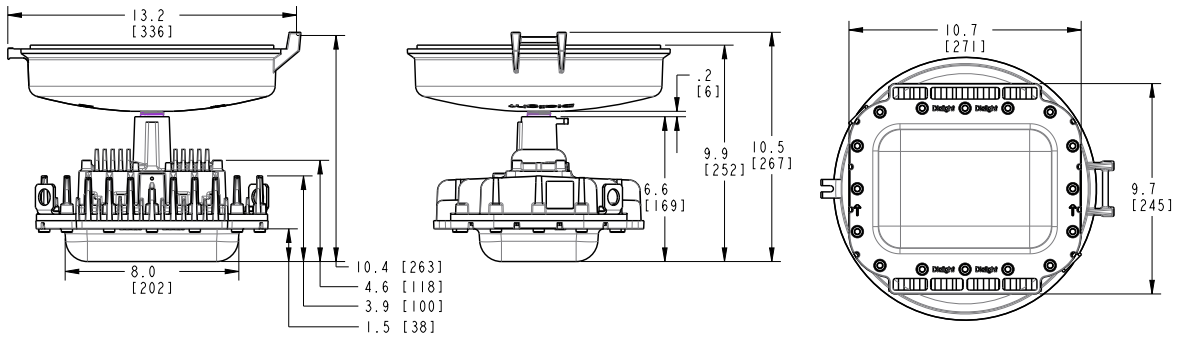
**DISCLAIMER.** All product information provided is, to the best of Dialight's knowledge, accurate as of the date of publication. When ordering, refer to [www.dialight.com](http://www.dialight.com) for current versions of: (a) relevant product documentation (including the relevant product data sheets); (b) Dialight terms and conditions of sale; and, (c) the relevant product warranty. To the extent that any contract is deemed formed between Dialight and the purchaser of Dialight products and/or an end-user, versions of documents available at [www.dialight.com](http://www.dialight.com) as at the date of sale shall be the versions incorporated therein. In the event of any discrepancy between this document or information provided at [www.dialight.com](http://www.dialight.com), the latter shall prevail.

# Dimensional Drawings - Retrofit Kits

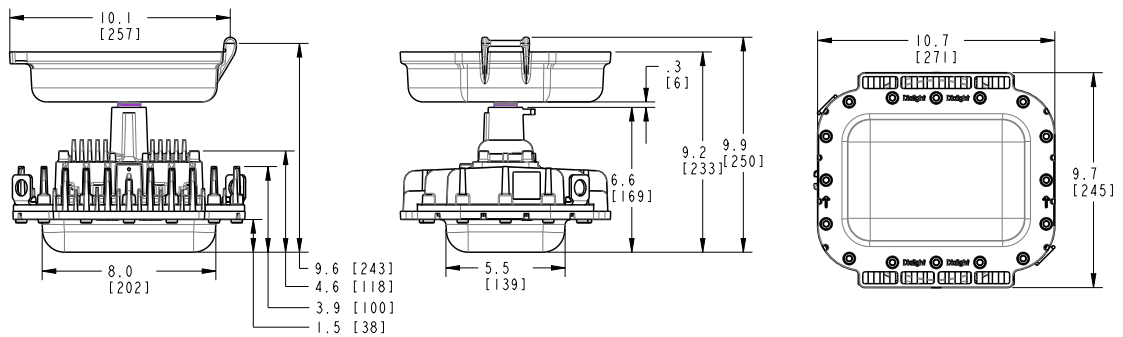
Thomas & Betts Hazlux® - HZXTHTB



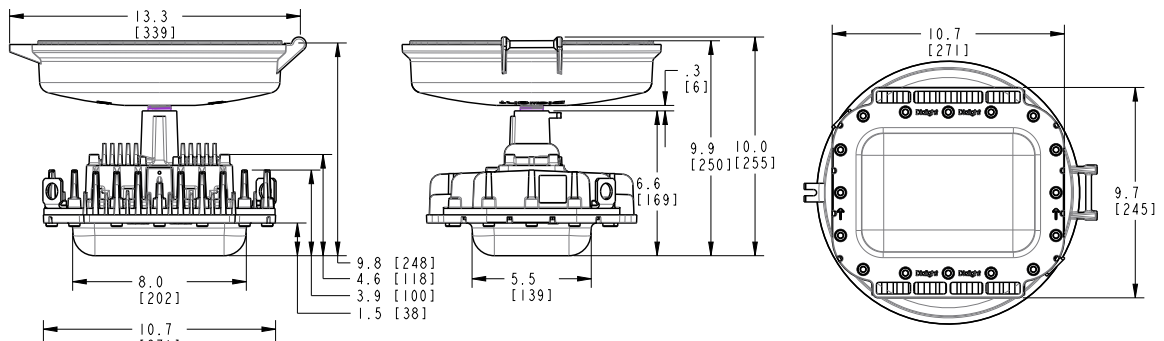
Appleton® Mercmaster III - HZXTHAP



Appleton® Mercmaster II - HZXTHM2



Killark® Certilite® & Certilite® V - HZXTHKL



**DISCLAIMER.** All product information provided is, to the best of Dialight's knowledge, accurate as of the date of publication. When ordering, refer to [www.dialight.com](http://www.dialight.com) for current versions of: (a) relevant product documentation (including the relevant product data sheets); (b) Dialight terms and conditions of sale; and, (c) the relevant product warranty. To the extent that any contract is deemed formed between Dialight and the purchaser of Dialight products and/or an end-user, versions of documents available at [www.dialight.com](http://www.dialight.com) as at the date of sale shall be the versions incorporated therein. In the event of any discrepancy between this document or information provided at [www.dialight.com](http://www.dialight.com), the latter shall prevail.



## North American HQ

1501 Route 34 South  
Farmingdale, NJ 07727  
Tel: 732-919-3119  
Fax: 732-751-5778  
info@dialight.com

## EMEA Technical Centre

Ejby Industrivej 91 B  
2600 Glostrup  
Tel: +45 8877 4545 (Denmark)  
Tel: +44 1638 666541 (UK)  
Tel: +49 89 12089 5713 (Germany)  
Tel: +33 3 23 22 62 58 (France)  
sales-europe@dialight.com

## Houston

16830 Barker Springs Rd  
Ste 407  
Houston, TX 77084  
Tel: 732-919-3119  
Fax: 281-492-1531  
info@dialight.com

## Middle East

205, Clover Bay Tower,  
Al Abraj Street, Business Bay  
P.O. Box 123997 Dubai, U.A.E.  
Tel: +971 (4) 818 31 56

## Australia

108 Howe Street  
Osborne Park, WA 6017  
Tel: +61 (0) 8 9244 7600  
Fax: +61 (0) 8 9244 7601  
info@dialight.com.au

## Southeast Asia

33 Ubi Avenue 3  
#07-72 Vertex (Tower A)  
Singapore 408868  
Tel: +65 6578 7157  
Fax: +65 6578 7150  
enquiry@dialight.com.sg

## Brazil

Alameda Mercurio,  
225 – American Park Empresarial NR  
Indaiatuba – SP – 13347– 662  
Tel: +55 (19) 3113-4300  
Fax: +55 (19) 3113-4300  
brasil@dialight.com

### WARNING / DISCLAIMERS:

**Installation & secondary retention.** The use of this product without proper installation (including secondary retention / netting) and periodic inspections, could cause severe injury or death. Dialight recommends that all installations should use secondary retention / netting (appropriate to the installation environment) as applicable. Dialight products are intended for ultimate purchase, installation and operation by knowledgeable persons trained in the functional assessment, installation, use and maintenance of such products and all customers (including but not limited to end customers) are responsible for assessing the suitability of Dialight products for any given installation requirement. It is the exclusive responsibility of the contractor, installer and/or end-user to: (a) determine the suitability of the product for its intended application; and, (b) ensure that the product is safely installed (with secondary retention / netting as appropriate) and in compliance with all applicable laws and regulations.

**Product specifications & warranties.** All product information provided is, to the best of Dialight's knowledge, accurate as of the date of publication. All values and performance data herein are design or typical values when measured under laboratory conditions. The information herein is subject to change without notice. The products / software detailed herein are subject to applicable warranties and terms and conditions of use/purchase. Unless agreed otherwise in writing by an authorized representative of Dialight, Dialight does not represent that its products are fit for any particular purpose and accepts no liability for the installation and/or unauthorised use of its products. When ordering, refer to [www.dialight.com](http://www.dialight.com) for current versions of: (a) relevant product documentation (including relevant product data sheets); (b) Dialight terms and conditions of sale; and, (c) the relevant product warranties. To the extent that any contract is deemed formed between Dialight and the purchaser of Dialight products and/or an end-user, versions of documents available at [www.dialight.com](http://www.dialight.com) as at the date of sale shall be the versions incorporated therein. In the event of any discrepancy between this document and information provided at [www.dialight.com](http://www.dialight.com), the latter shall prevail.

**Exclusion of liability.** To the extent permissible under the relevant law, Dialight disclaims all liability for personal injury and/or other damage resulting from any dislodgment or other dislocation of its products. Whilst Dialight has used its reasonable endeavours to ensure the completeness and accuracy of information herein, Dialight does not assume any liability for damages resulting from use of this information or for any third-party representations made in relation to Dialight products.