

Important Information

These instructions contain safety information, read and follow them carefully. Dialight will not accept any responsibility for injury, damage or loss which may occur due to incorrect installation, operation or maintenance.

Operation/Installation Instructions



Language	Page Number
English	2

Note: Save these instructions for future use

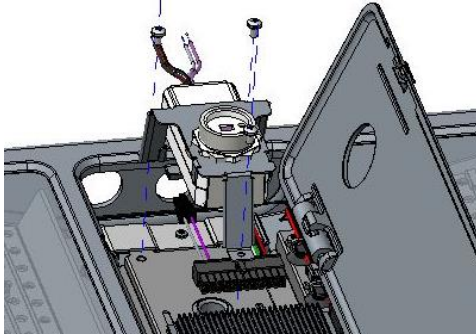


Part Number	Description
RH-WS-OCC-321B-S	Wattstopper FSP-321B-S (Side Mounted)
RH-WS-OCC-212	Wattstopper FSP-212 (Center Mounted)
RH-WS-OCC-321	Wattstopper FSP-321 (Center Mounted)

WARNING: Ensure the luminaire is disconnected from AC power before servicing.

Installing RH-WS-OCC-212 & RH-WS-OCC-321

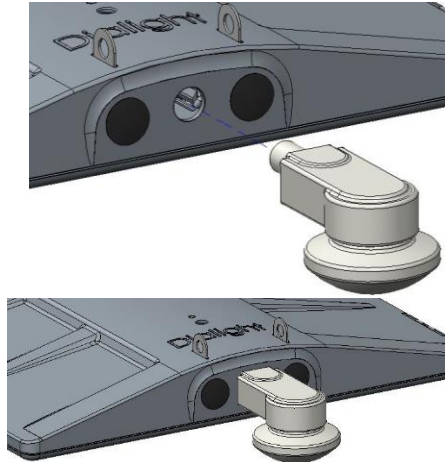
1. Open the luminaire by loosening the captive screw on the access cover, undoing the snap features, and tilting the cover open.
2. Remove the black blanking plug on the access cover to make room for the Occupancy Sensor to sit.
3. Install the Occupancy sensor to the main plate using the three 8-32 Philips screws as shown below. Torque to 14-16 in-lbs.



4. See "Wire Routing/Connections below"

Installing RH-WS-OCC-321B-S

1. Open the luminaire by loosening the captive screw on the access cover, undoing the snap features, and tilting the cover open.
2. Remove the 1/2" NPT plug from the side of the luminaire nearest to the power supply.
3. Secure the Occupancy Sensor to the luminaire by tightening the supplied locknut.



NOTE: A rubber grommet goes on both the inside and outside of the luminaire.

4. See "Wire Routing/Connections below"

Wire Routing/Connections

1. Plug the 2-position connector (purple and gray) to the mating 2-position connector coming off the power supply.
2. Route the red/black/white wire harness next to the power supply as shown below. Use included wire ties and mounts to secure it in place.



3. In the center of the luminaire, connect the male 2-position customer interface harness into the female 2-position Occupancy Sensor input plug.

4. Connect the male 2-position Occupancy Sensor output plug into the female 2-position power supply input plug.

Controlling the Occupancy Sensor

For: RH-WS-OCC-321B-S, see manufacturer's instructions at the link below.

<https://www.legrand.us/wattstopper/fixtures-sensors-and-controls/fixture-sensors/fsp3x1b.aspx>

For: RH-WS-OCC-321B-S or RH-WS-OCC-321, see manufacturer's instructions at the link below.

<https://www.legrand.us/wattstopper/fixtures-sensors-and-controls/fixture-sensors/fsp-3x1.aspx>

For: RH-WS-OCC-212 see manufacturer's instructions at the link below.

<https://www.legrand.us/wattstopper/fixtures-sensors-and-controls/fixture-sensors/fsp-2x2.aspx>

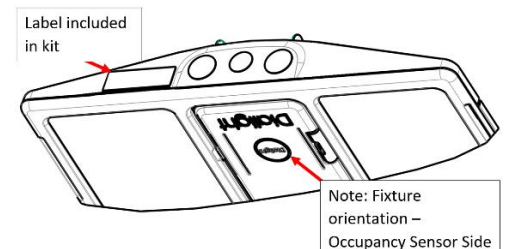
Closing the Luminaire

1. Tilt the access cover closed. Ensure the snap features have engaged and clicked shut.
2. Tighten captive screw Torque to 14-16 in-lbs.
3. On RH-WS-OCC 321 OR RH-WS-OCC-212, apply Occupancy Sensor Lens by fitting it over the Occupancy Sensor and turning approximately 1/4 turn clockwise until it is securely in place.



Adding Label to RH-WS-OCC-212

After closing the luminaire, attach label to the outside of the fixture (label location shown below). Ensure surface is clean and free of all debris.



Official Statement

All statements, technical information, and recommendations contained herein are based on information and tests that Dialight believes to be reliable. The accuracy or completeness thereof is not guaranteed. In accordance with Dialight "Terms and Conditions of Sale" and since conditions of use are outside our control, the purchaser should determine the suitability of the product for his or her intended use and assumes all risk and liability whatsoever in connection therewith.

