

### Important Information

These instructions contain safety information, read and follow them carefully. Dialight will not accept any responsibility for injury, damage or loss which may occur due to incorrect installation, operation or maintenance.

## Operation/Installation Instructions



Language	Page Number
English	2

**Note:** Save these instructions for future use

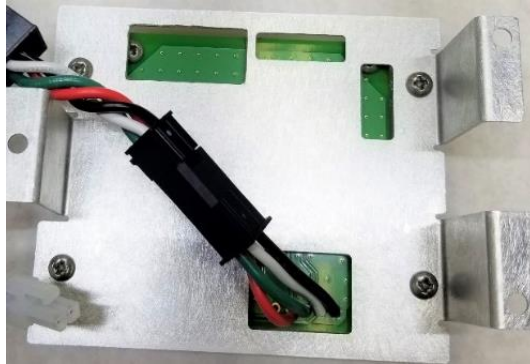


Part Number	Description
RH-WIRELESS-1	IntelliLED Wireless Controls - Basic

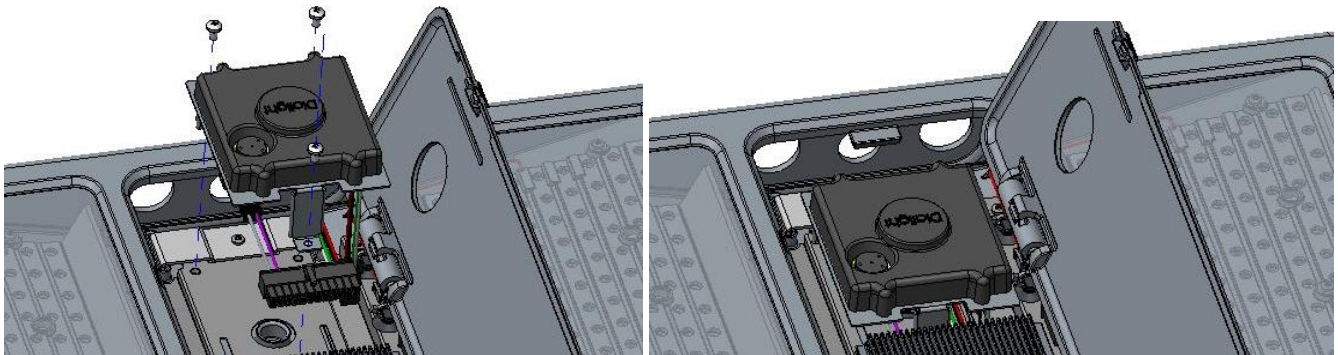
**WARNING:** Ensure the luminaire is disconnected from AC power before servicing.

### Installation

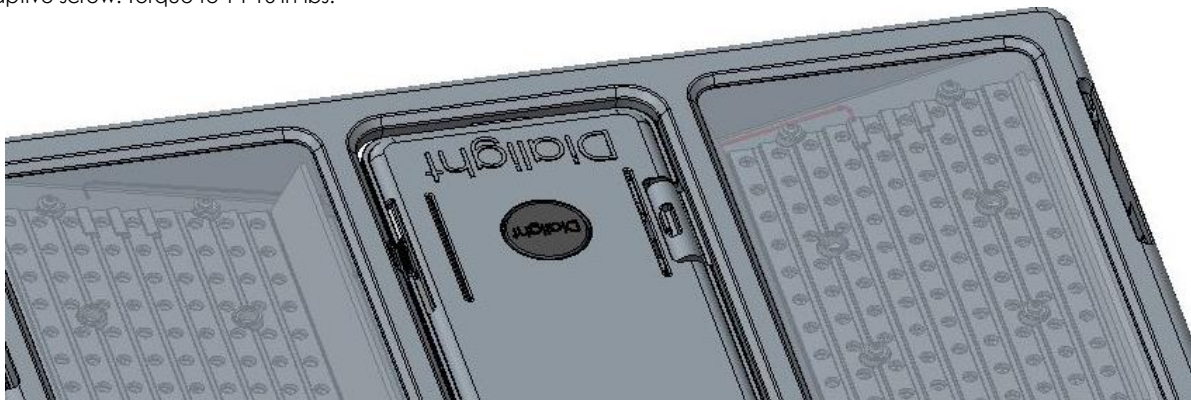
1. Open the luminaire by loosening the captive screw on the access cover, undoing the snap features, and tilting the cover open.
2. Remove the black blanking plug on the access cover to make room for the Wireless Module to sit.
3. Plug the 4-position connector on the wireless module into the 4-position connector coming off of the power supply as shown below.



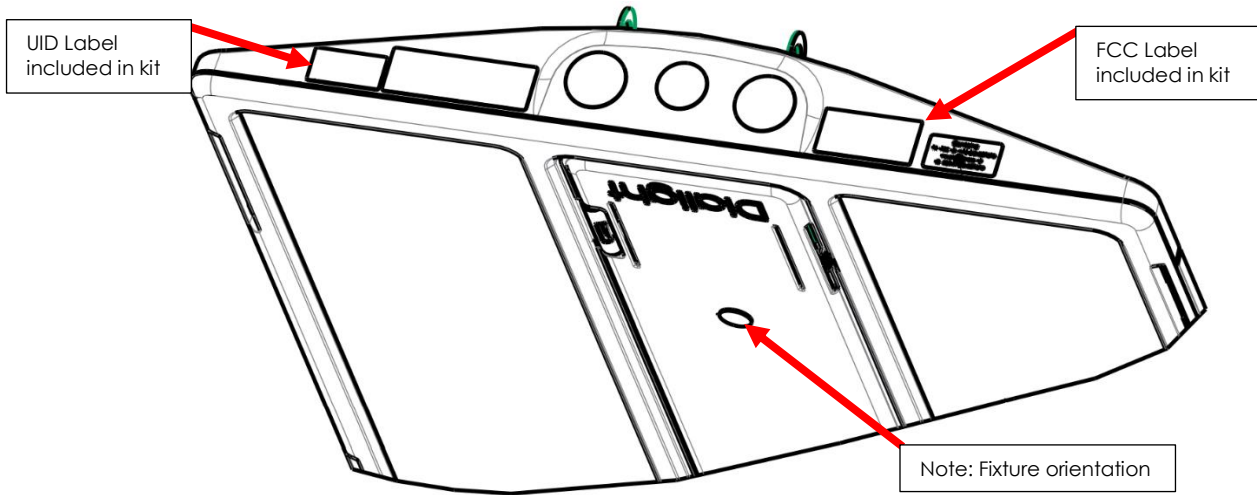
4. Install the Wireless Module to the main plate using the three 8-32 Philips screws as shown below. Torque to 14-16 in-lbs.



5. Tilt the access cover closed. Ensure the tabs have engaged and clicked shut.
6. Tighten captive screw. Torque to 14-16 in-lbs.



7. After closing the luminaire, attach labels to the outside of the fixture (label locations shown below). Ensure surface is clean and free of all debris.



8. Power the luminaire on and insure proper function. Refer to the Dialight IntelliLED™ Gateway Quick Start Guide for further instructions.

### Official Statement

All statements, technical information, and recommendations contained herein are based on information and tests that Dialight believes to be reliable. The accuracy or completeness thereof is not guaranteed. In accordance with Dialight "Terms and Conditions of Sale" and since conditions of use are outside our control, the purchaser should determine the suitability of the product for his or her intended use and assumes all risk and liability whatsoever in connection therewith.