



Dialight® LED Reliant™ High Bay - UL

Technical Specification Sheet - Americas

Reliant™ LED High Bay

100-277 VAC, 347-480 VAC

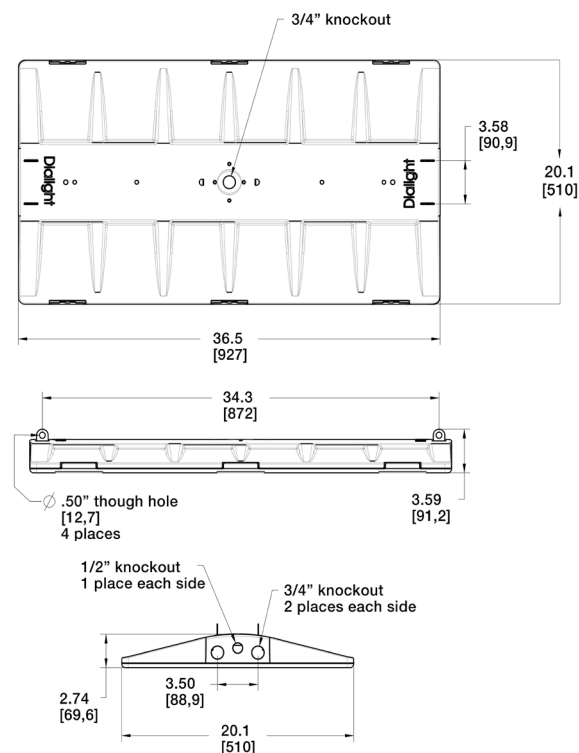


Certifications & Ratings

- UL 1598
- UL 8750
- CSA C22.2 No. 250.0
- Damp location
- L90 rated for >100,000 hours @ 25°C
- DLC Standard & Premium
- Title 24 compliant

Features & Benefits

- 10 year warranty
- Up to 160 lm/W
- 10% up-light accessory available (most models)
- Modular configuration
- Field replaceable parts available
- Controls enabled



Dimensions in inches [mm]
Additional drawings on page 6

WARNING - INSTALLATION & SECONDARY RETENTION. Use of any Dialight products without proper installation (including secondary retention / netting) and periodic inspections could cause severe injury or death. Dialight recommends that all installations should use secondary retention / netting (appropriate to the installation environment) where applicable. It is the exclusive responsibility of the contractor, installer and/or end-user to: (a) determine the suitability of the product for its intended application; and, (b) ensure that the product is safely installed (with secondary retention / netting where appropriate) and in compliance with all applicable laws and regulations. To the extent permissible under applicable laws, Dialight disclaims all liability for personal injury and/or other damage resulting from any dislodgment or other dislocation of its products.

Mechanical Information:

Fixture weight:

Single unit: 18 lb* (polycarbonate, 120 VAC version)
Tandem unit: 41 lb* (polycarbonate, 120 VAC version)
*Base models only - does not include add on accessories (surge, battery backup, sensor) - estimated additional 3 lb

Mounting:

Mounting: Cable/chain
Pendant mount kit available (see mounting accessories section on page 17)

Mounting tabs: 2 per side

Cable entries: 3/4" knockout - 2 per side, 1 top
1/2" knockout - 1 per side

Wiring: 8" of flying leads within wiring cavity

Materials:

Housing: Halogen free polycarbonate
Lens: Tempered glass, polycarbonate or acrylic
Mounting tabs: 304 stainless steel
Fixture color: Grey
Consult factory for additional color options

Electrical Specifications:

Operating voltage: 100-277 VAC
347-480 VAC

Operating temperature: -40°F to +131°F (-40°C to +55°C)
Battery backup*: +50°F to +95°F (10°C to +35°C)
*Battery backup model ONLY available with 100-277 VAC models

Total system power consumption: See table

EMC: FCC Title 47, Subpart B, Section 15, Class A

Transient protection:
100-277 VAC: 6kV (10kV optional)
347-480 VAC: 10kV

THD: <20%

Power factor: >0.9

Variable dimming: 0-10 VDC

Dimming range: 100%-5%

Photometric Information:

CRI: 80
Consult factory for more options available

CCT: 5000K (cool white)
4000K (neutral white)
Consult factory for more options available

All values typical unless otherwise stated (tolerance +/- 10%)

Ordering Information

Reliant™ LED High Bay - 100-277 VAC, 347-480 VAC



Most Popular Variants (consult factory for other options)							
Part Number	Form Factor	Fixture Lumens	Wattage	lm/W	Lens	Beam Distribution	Controls
100-277 VAC Models							
RHU-5MC2-CDCN-NGN	Single	16,200	123	132	Diffused Polycarbonate	Medium	Dimming
RHU-5MC2-CFCN-NGN	Single	16,200	123	132	Diffused Polycarbonate	Medium	Occupancy Sensor
RHU-7MC2-CDCN-NGN	Single	18,000	123	146	Tempered Glass	Medium	Dimming
RHU-7MC2-CFCN-NGN	Single	18,000	123	146	Tempered Glass	Medium	Occupancy Sensor
RHU-5MC2-EDCN-NGN	Single	21,100	163	129	Diffused Polycarbonate	Medium	Dimming
RHU-7MC2-EDCN-NGN	Single	23,520	163	144	Tempered Glass	Medium	Dimming
RHU-5MC2-FDCN-NGN	Single	26,400	199	133	Diffused Polycarbonate	Medium	Dimming
RHU-7AC2-FDCN-NGN	Single	29,400	199	148	Tempered Glass	Aisle	Dimming
RHU-7MC2-FDCN-NGN	Single	29,400	199	148	Tempered Glass	Medium	Dimming
RHU-7MC2-FFCN-NGN	Single	29,400	199	148	Tempered Glass	Medium	Occupancy Sensor
RHU-5MC2-HDCN-NGN	Single	31,500	239	132	Diffused Polycarbonate	Medium	Dimming
RHU-7MC2-HDCN-NGN	Single	34,500	239	144	Tempered Glass	Medium	Dimming
RHU-7MC2-LDEN-NGN	Tandem Side By Side	47,000	325	145	Tempered Glass	Medium	Dimming
RHU-7MC2-LDDN-NGN	Tandem End To End	47,000	325	145	Tempered Glass	Medium	Dimming
RHU-7MC2-NDEN-NGN	Tandem Side By Side	58,800	398	148	Tempered Glass	Medium	Dimming
RHU-7MC2-NDDN-NGN	Tandem End To End	58,800	398	148	Tempered Glass	Medium	Dimming
RHU-7MC2-RDEN-NGN	Tandem Side By Side	69,000	478	144	Tempered Glass	Medium	Dimming
100-277 VAC Battery Backup Models							
RHU-7MC2-CDCN-NGF	Single	18,000	123	146	Tempered Glass	Medium	Dimming
RHU-7MC2-FDCN-NGF	Single	29,400	199	148	Tempered Glass	Medium	Dimming
347-480 VAC Models*							
RHU-5MC9-CDCN-NGN	Single	16,200	125	130	Diffused Polycarbonate	Medium	Dimming
RHU-7MC9-EDCN-NGN	Single	23,500	166	142	Tempered Glass	Medium	Dimming
RHU-5MC9-FDCN-NGN	Single	26,400	203	130	Diffused Polycarbonate	Medium	Dimming
RHU-7MC9-FDCN-NGN	Single	29,400	203	145	Tempered Glass	Medium	Dimming
RHU-7MC9-HDCN-NGN	Single	34,550	244	142	Tempered Glass	Medium	Dimming
RHU-7MC9-LDEN-NGN	Tandem Side By Side	47,000	331	142	Tempered Glass	Medium	Dimming
RHU-7MC9-NDEN-NGN	Tandem Side By Side	58,800	406	145	Tempered Glass	Medium	Dimming
RHU-7MC9-RDEN-NGN	Tandem Side By Side	69,100	487	142	Tempered Glass	Medium	Dimming
RHU-7MC9-RDDN-NGN	Tandem End To End	69,100	487	142	Tempered Glass	Medium	Dimming

All values typical unless otherwise stated (tolerance +/- 10%)

*480 VAC models NOT available with Battery Backup

DISCLAIMER. All product information provided is, to the best of Dialight's knowledge, accurate as of the date of publication. When ordering, refer to www.dialight.com for current versions of: (a) relevant product documentation (including the relevant product data sheets); (b) Dialight terms and conditions of sale; and, (c) the relevant product warranty. To the extent that any contract is deemed formed between Dialight and the purchaser of Dialight products and/or an end-user, versions of documents available at www.dialight.com as at the date of sale shall be the versions incorporated therein. In the event of any discrepancy between this document or information provided at www.dialight.com, the latter shall prevail.

Ordering Information

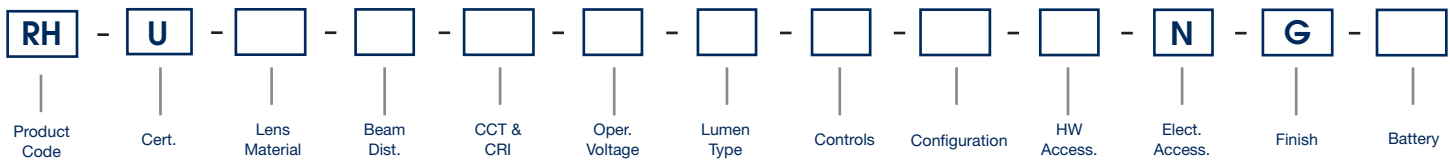
Reliant™ LED High Bay - 100-277 VAC, 347-480 VAC



Project Information	
Part Number:	
Project:	
Fixture Type:	Date:

Specifications

Ordering Information



Product Code

RH Reliant™ High Bay

Certification

U UL 1598, CSA

Lens Material

- 2 Acrylic - Clear
- 4 Polycarbonate - Clear
- 5 Polycarbonate - Diffused
- 7 Tempered Glass - Clear

Beam Distribution

- A Aisle
- M Medium
- P Aisle Distribution with 10% Up-Light (Factory Installed)
- Q Medium Distribution with 10% Up-Light (Factory Installed)

* Field installable up-light accessory available

CCT & CRI

- C Cool White 5000K - 80 CRI
- N Neutral White 4000K - 80 CRI

Operating Voltage

- 2 100-277 VAC, 6kV Surge Protection
- 8 100-277 VAC, 10kV Surge Protection
- 9 347-480 VAC, 10kV Surge Protection

Lumen Type

- C 18,000 Lumens
- E 23,500 Lumens
- F 29,400 Lumens
- H 34,600 Lumens

Tandem Models

- L 47,000 Lumens
- N 58,800 Lumens
- R 69,100 Lumens

Controls

- D Dimming (0-10V)
- F Occupancy Sensor FSP-2x2
- G Occupancy Sensor, Bluetooth FSP-3x1
- J IntelliLED™ Wireless Controls

Configuration

- C Single
- D Tandem End to End
- E Tandem Side by Side

Hardware Accessories

- N No Cord
- 2 6' 18-3 STOOW Power Cord
- 3 12' 18-3 STOOW Power Cord

Electrical Accessories

- N No Option

Finish

- G Gray

Battery

- F Standard Battery Backup - 5W
120-277 VAC Fixtures ONLY
- G Battery Backup - 10W
120-277 VAC Fixtures ONLY
- N No Option

Notes

- 1) Lumen type based on using a glass lens, medium optic, cool white, 80 CRI. See tables for lumens when changing options.
- 2) For Lumen types L, N, R, use Mounting Option D - Tandem End to End or E - Tandem Side by Side.
- 3) Hardware accessories not available on battery back-up models.

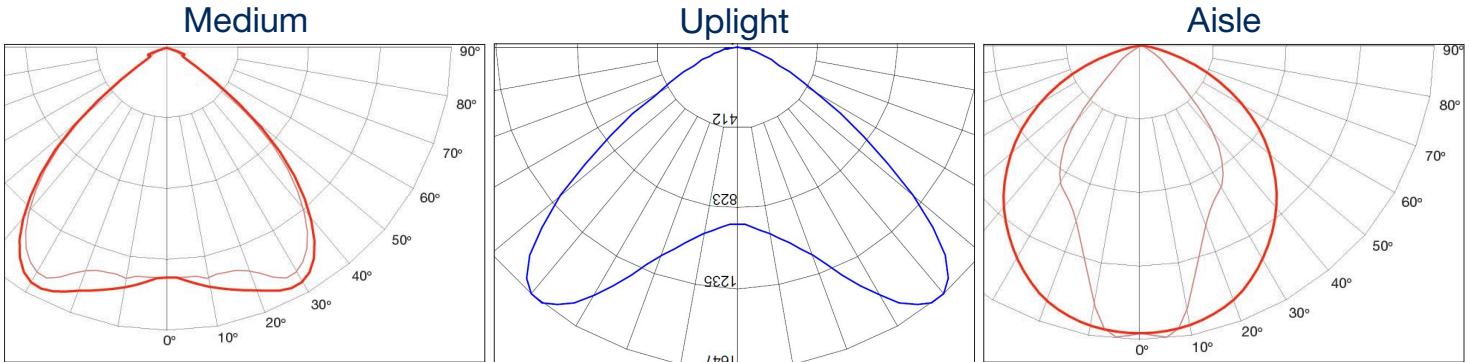
DISCLAIMER. All product information provided is, to the best of Dialight's knowledge, accurate as of the date of publication. When ordering, refer to www.dialight.com for current versions of: (a) relevant product documentation (including the relevant product data sheets); (b) Dialight terms and conditions of sale; and, (c) the relevant product warranty. To the extent that any contract is deemed formed between Dialight and the purchaser of Dialight products and/or an end-user, versions of documents available at www.dialight.com as at the date of sale shall be the versions incorporated therein. In the event of any discrepancy between this document or information provided at www.dialight.com, the latter shall prevail.

Lumen Tables

100-277 VAC								
CRI	Output Family	Beam Distribution	Lens	Wattage	Lumens 5000K CCT	5000K CCT lm/W	Lumens 4000K CCT	4000K CCT lm/W
80	70,500	Aisle	Glass	478	69,090	145	67,708	142
			Acrylic Clear		68,385	143	67,017	140
			Polycarbonate - Clear		64,860	136	63,563	133
			Polycarbonate - Diffused		62,040	130	60,799	127
		Medium	Glass		69,090	145	67,708	142
			Acrylic Clear		68,385	143	67,017	140
			Polycarbonate - Clear		64,860	136	63,563	133
			Polycarbonate - Diffused		62,040	130	60,799	127
80	60,000	Aisle	Glass	398	58,800	148	57,624	145
			Acrylic Clear		58,200	146	57,036	143
			Polycarbonate - Clear		55,200	139	54,096	136
			Polycarbonate - Diffused		52,800	133	51,744	130
		Medium	Glass		58,800	148	57,624	145
			Acrylic Clear		58,200	146	57,036	143
			Polycarbonate - Clear		55,200	139	54,096	136
			Polycarbonate - Diffused		52,800	133	51,744	130
80	48,000	Aisle	Glass	325	47,040	145	46,099	142
			Acrylic Clear		46,560	143	45,629	140
			Polycarbonate - Clear		44,160	136	43,277	133
			Polycarbonate - Diffused		42,240	130	41,395	127
		Medium	Glass		47,040	145	46,099	142
			Acrylic Clear		46,560	143	45,629	140
			Polycarbonate - Clear		44,160	136	43,277	133
			Polycarbonate - Diffused		42,240	130	41,395	127
80	35,250	Aisle	Glass	239	34,545	145	33,854	142
			Acrylic Clear		34,193	143	33,509	140
			Polycarbonate - Clear		32,430	136	31,781	133
			Polycarbonate - Diffused		31,020	130	30,400	127
		Medium	Glass		34,545	145	33,854	142
			Acrylic Clear		34,193	143	33,509	140
			Polycarbonate - Clear		32,430	136	31,781	133
			Polycarbonate - Diffused		31,020	130	30,400	127
80	30,000	Aisle	Glass	199	29,400	148	28,812	145
			Acrylic Clear		29,100	146	28,518	143
			Polycarbonate - Clear		27,600	139	27,048	136
			Polycarbonate - Diffused		26,400	133	25,872	130
		Medium	Glass		29,400	148	28,812	145
			Acrylic Clear		29,100	146	28,518	143
			Polycarbonate - Clear		27,600	139	27,048	136
			Polycarbonate - Diffused		26,400	133	25,872	130
80	24,000	Aisle	Glass	163	23,520	145	23,050	142
			Acrylic Clear		23,280	143	22,814	140
			Polycarbonate - Clear		22,080	136	21,638	133
			Polycarbonate - Diffused		21,120	130	20,698	127
		Medium	Glass		23,520	145	23,050	142
			Acrylic Clear		23,280	143	22,814	140
			Polycarbonate - Clear		22,080	136	21,638	133
			Polycarbonate - Diffused		21,120	130	20,698	127
80	18,400	Aisle	Glass	123	18,032	147	17,671	144
			Acrylic Clear		17,848	146	17,491	143
			Polycarbonate - Clear		16,928	138	16,589	135
			Polycarbonate - Diffused		16,192	132	15,868	130
		Medium	Glass		18,032	147	17,671	144
			Acrylic Clear		17,848	146	17,491	143
			Polycarbonate - Clear		16,928	138	16,589	135
			Polycarbonate - Diffused		16,192	132	15,868	130
70	18,400	Aisle	Glass	123	19,294	158	18,908	154
		Medium	Glass		19,294	158	18,908	154

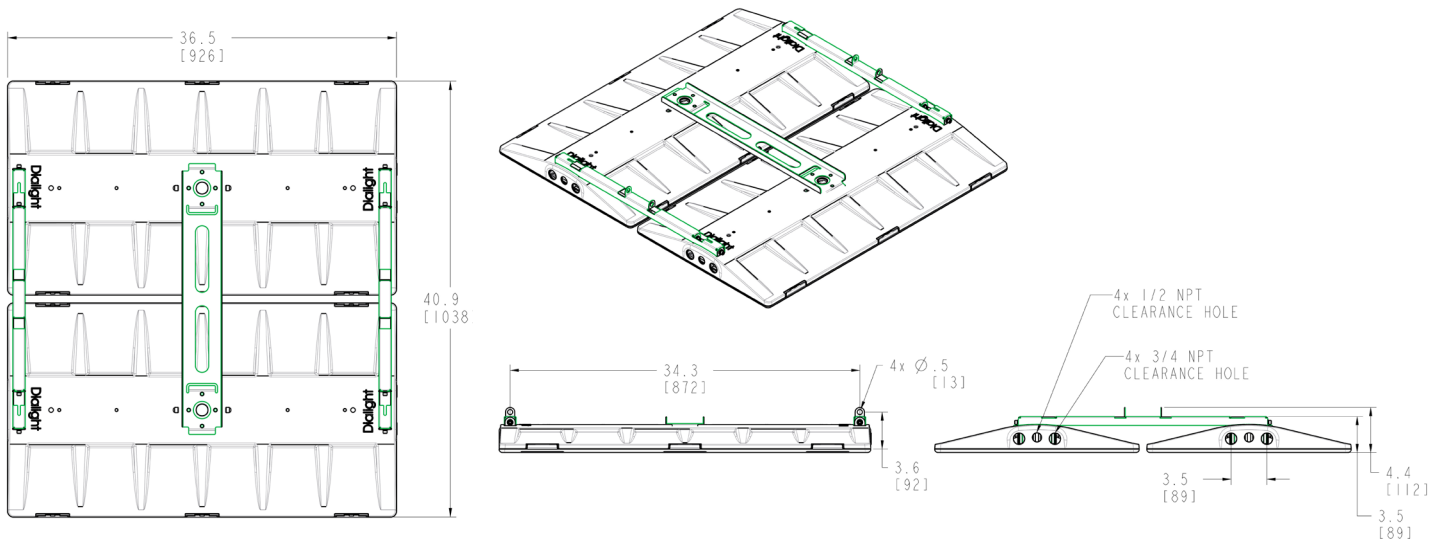
DISCLAIMER. All product information provided is, to the best of Dialight's knowledge, accurate as of the date of publication. When ordering, refer to www.dialight.com for current versions of: (a) relevant product documentation (including the relevant product data sheets); (b) Dialight terms and conditions of sale; and, (c) the relevant product warranty. To the extent that any contract is deemed formed between Dialight and the purchaser of Dialight products and/or an end-user, versions of documents available at www.dialight.com as at the date of sale shall be the versions incorporated therein. In the event of any discrepancy between this document or information provided at www.dialight.com, the latter shall prevail.

Beam Distribution

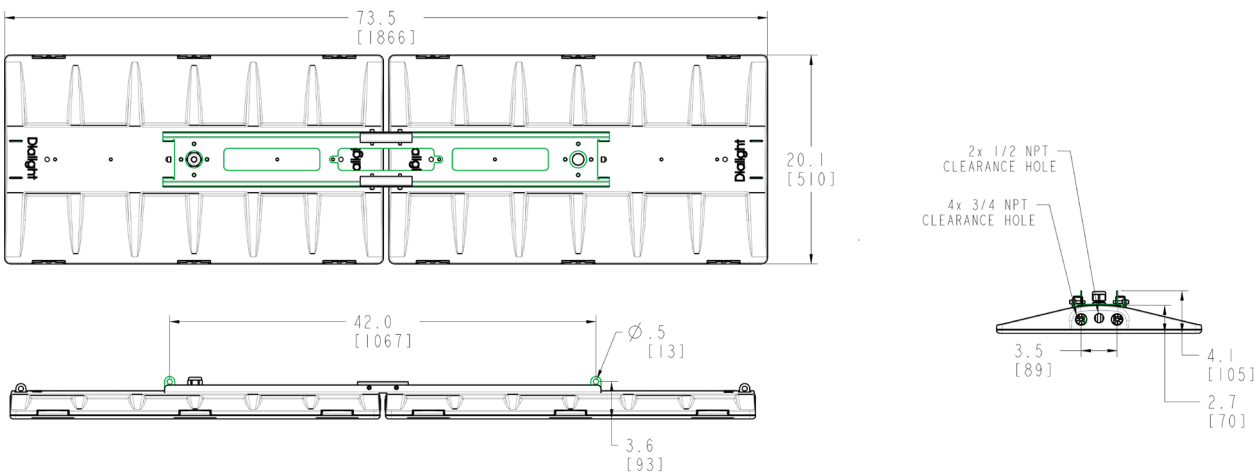


Dimensional Drawings

Tandem - Side by Side



Tandem - End to End



DISCLAIMER. All product information provided is, to the best of Dialight's knowledge, accurate as of the date of publication. When ordering, refer to www.dialight.com for current versions of: (a) relevant product documentation (including the relevant product data sheets); (b) Dialight terms and conditions of sale; and, (c) the relevant product warranty. To the extent that any contract is deemed formed between Dialight and the purchaser of Dialight products and/or an end-user, versions of documents available at www.dialight.com as at the date of sale shall be the versions incorporated therein. In the event of any discrepancy between this document or information provided at www.dialight.com, the latter shall prevail.

Inrush Current / Circuit Breakers

Model	Max Wattage	Inrush Current @ Input Voltage			Approx. Time Duration (T50) of Inrush Current			Max # of Lights per Breaker @100 VAC			Max # of Lights per Breaker @120 VAC			Max # of Lights per Breaker @277 VAC		
		100 VAC	120 VAC	277 VAC	100 VAC	120 VAC	277 VAC	C10	B16	C16	C10	B16	C16	C10	B16	C16
18k	142	6.5A	7.7A	18A	1.5ms	1.5ms	1.5ms	5	8	8	6	10	10	14	22	22
18k-U	152	6.5A	7.7A	18A	1.5ms	1.5ms	1.5ms	5	7	7	6	9	9	13	20	20
24k	188	6.5A	7.7A	18A	1.5ms	1.5ms	1.5ms	4	6	6	5	7	7	10	17	17
24k-U	205	6.5A	7.7A	18A	1.5ms	1.5ms	1.5ms	3	6	6	4	7	7	9	15	15
30k	232	6.5A	7.7A	18A	1.5ms	1.5ms	1.5ms	3	5	5	4	6	6	8	13	13
30k-U	257	6.5A	7.7A	18A	1.5ms	1.5ms	1.5ms	3	4	4	3	5	5	8	12	12
36k	267	6.5A	7.7A	18A	1.5ms	1.5ms	1.5ms	3	4	4	3	5	5	7	11	11
36k-U	298	6.5A	7.7A	18A	1.5ms	1.5ms	1.5ms	2	4	4	3	5	5	7	10	10
48k	376	13A	15.4A	36A	1.5ms	1.5ms	1.5ms	2	3	3	2	3	3	5	8	8
48k-U	410	13A	15.4A	36A	1.5ms	1.5ms	1.5ms	1	3	3	2	3	3	4	7	7
60k	464	13A	15.4A	36A	1.5ms	1.5ms	1.5ms	1	2	2	2	3	3	4	6	6
60k-U	514	13A	15.4A	36A	1.5ms	1.5ms	1.5ms	1	2	2	1	2	2	4	6	6
72k	534	13A	15.4A	36A	1.5ms	1.5ms	1.5ms	1	2	2	1	2	2	3	5	5
72k-U	596	13A	15.4A	36A	1.5ms	1.5ms	1.5ms	1	2	2	1	2	2	3	5	5

-U = 10% up-light accessory models

Model	Max Wattage	Inrush Current @ Input Voltage		Approx. Time Duration (T50) of Inrush Current		Max # of Lights per Breaker @ 347 VAC			Max # of Lights per Breaker @ 480VAC		
		347 VAC	480 VAC	347 VAC	480 VAC	C10	B16	C16	C10	B16	C16
18k	134	4A	5.6A	1.8ms	1.8ms	18	29	29	25	40	40
18k-U	152	4A	5.6A	1.8ms	1.8ms	16	26	26	22	35	35
24k	177	4A	5.6A	1.8ms	1.8ms	14	22	22	19	30	30
24k-U	198	4A	5.6A	1.8ms	1.8ms	12	20	20	17	27	27
30k	224	4A	5.6A	1.8ms	1.8ms	11	18	18	15	24	24
30k-U	245	4A	5.6A	1.8ms	1.8ms	10	16	16	14	22	22
36k	264	4A	5.6A	1.8ms	1.8ms	9	15	15	13	21	21
36k-U	288	4A	5.6A	1.8ms	1.8ms	9	14	14	12	19	19
48k	354	8A	11.2A	1.8ms	1.8ms	7	11	11	9	15	15
48k-U	396	8A	11.2A	1.8ms	1.8ms	6	10	10	8	13	13
60k	448	8A	11.2A	1.8ms	1.8ms	5	9	9	7	12	12
60k-U	490	8A	11.2A	1.8ms	1.8ms	5	8	8	7	11	11
72k	528	8A	11.2A	1.8ms	1.8ms	4	7	7	6	10	10
72k-U	576	8A	11.2A	1.8ms	1.8ms	4	7	7	6	9	9

-U = 10% up-light accessory models

DISCLAIMER. All product information provided is, to the best of Dialight's knowledge, accurate as of the date of publication. When ordering, refer to www.dialight.com for current versions of: (a) relevant product documentation (including the relevant product data sheets); (b) Dialight terms and conditions of sale; and, (c) the relevant product warranty. To the extent that any contract is deemed formed between Dialight and the purchaser of Dialight products and/or an end-user, versions of documents available at www.dialight.com as at the date of sale shall be the versions incorporated therein. In the event of any discrepancy between this document or information provided at www.dialight.com, the latter shall prevail.

Lumen Maintenance Factor

% Lumen Output (Models ≤ 24k lm)										
Ambient Temperature		Hours								
		0	15000	30000	45000	60000	75000	90000	100000	150000
25°C	77°F	100%	98%	96%	95%	94%	92%	91%	90%	86%
30°C	86°F	99%	97%	95%	94%	93%	92%	90%	89%	85%
35°C	95°F	98%	96%	95%	93%	92%	91%	90%	89%	85%
40°C	104°F	97%	95%	94%	93%	91%	90%	89%	88%	84%
45°C	113°F	97%	94%	93%	92%	90%	89%	88%	87%	83%
50°C	122°F	96%	94%	92%	91%	90%	88%	87%	86%	83%
55°C	131°F	95%	93%	91%	90%	89%	88%	87%	86%	82%

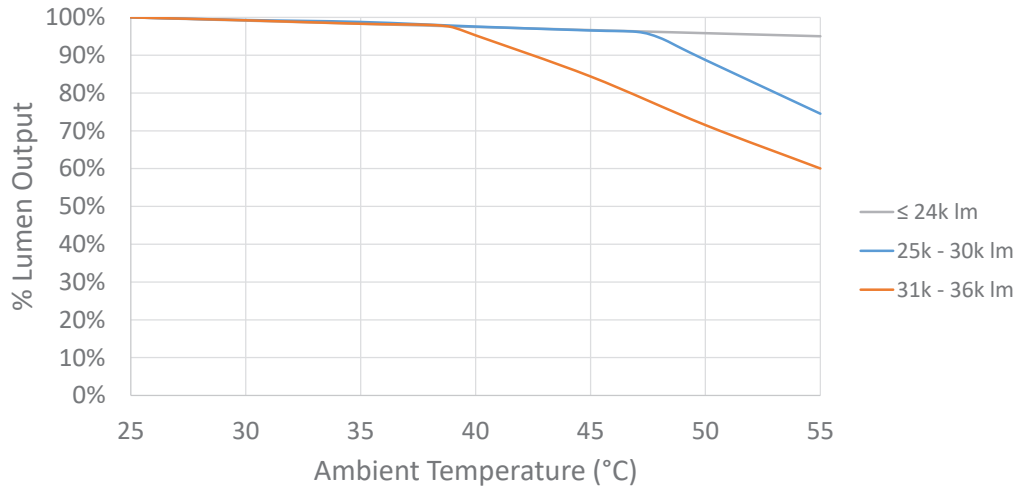
% Lumen Output (25k lm < Models < 30k lm)										
Ambient Temperature		Hours								
		0	15000	30000	45000	60000	75000	90000	100000	150000
25°C	77°F	100%	98%	96%	95%	94%	92%	91%	90%	86%
30°C	86°F	99%	97%	96%	94%	93%	92%	90%	90%	86%
35°C	95°F	99%	96%	95%	94%	93%	91%	90%	89%	85%
40°C	104°F	98%	95%	94%	93%	91%	90%	89%	88%	84%
45°C	113°F	97%	94%	93%	92%	90%	89%	88%	87%	83%
50°C	122°F	89%	87%	85%	84%	83%	82%	81%	80%	76%
55°C	131°F	75%	73%	72%	71%	70%	69%	68%	67%	64%

% Lumen Output (31k lm < Models < 36k lm)										
Ambient Temperature		Hours								
		0	15000	30000	45000	60000	75000	90000	100000	150000
25°C	77°F	100%	98%	96%	95%	94%	92%	91%	90%	86%
30°C	86°F	99%	97%	96%	94%	93%	92%	90%	90%	85%
35°C	95°F	98%	96%	95%	93%	92%	91%	90%	89%	85%
40°C	104°F	95%	93%	92%	90%	89%	88%	87%	86%	82%
45°C	113°F	84%	82%	81%	80%	79%	78%	77%	76%	73%
50°C	122°F	72%	70%	69%	68%	67%	66%	65%	65%	62%
55°C	131°F	60%	59%	58%	57%	56%	55%	55%	54%	52%

All tables are for single unit models only. For tandem models, 48k similar to 24k, 60k is similar to 30k, and 72k is similar to 36k.

DISCLAIMER. All product information provided is, to the best of Dialight's knowledge, accurate as of the date of publication. When ordering, refer to www.dialight.com for current versions of: (a) relevant product documentation (including the relevant product data sheets); (b) Dialight terms and conditions of sale; and, (c) the relevant product warranty. To the extent that any contract is deemed formed between Dialight and the purchaser of Dialight products and/or an end-user, versions of documents available at www.dialight.com as at the date of sale shall be the versions incorporated therein. In the event of any discrepancy between this document or information provided at www.dialight.com, the latter shall prevail.

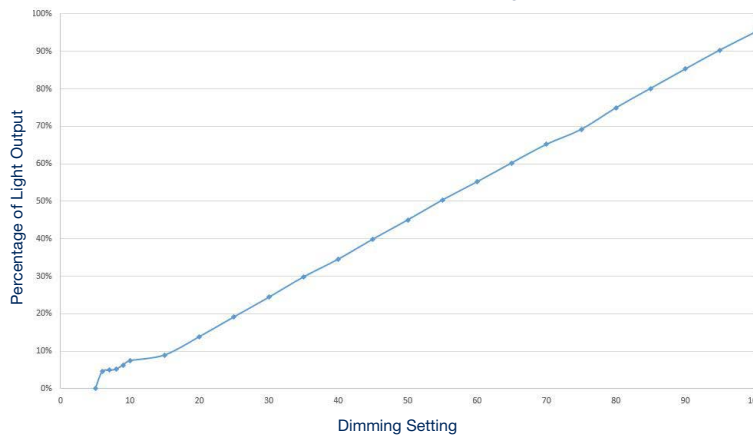
Thermal Roll-Off



For single unit models only. For tandem models, 48k similar to 24k, 60k is similar to 30k, and 72k is similar to 36k.

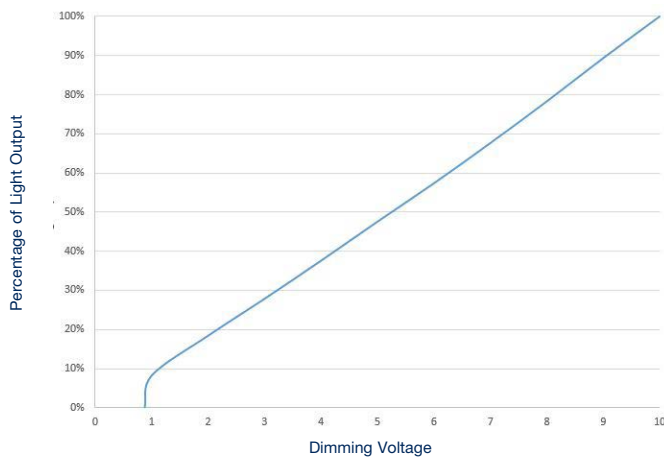
Dimming Characterization

IntelliLED Dimming

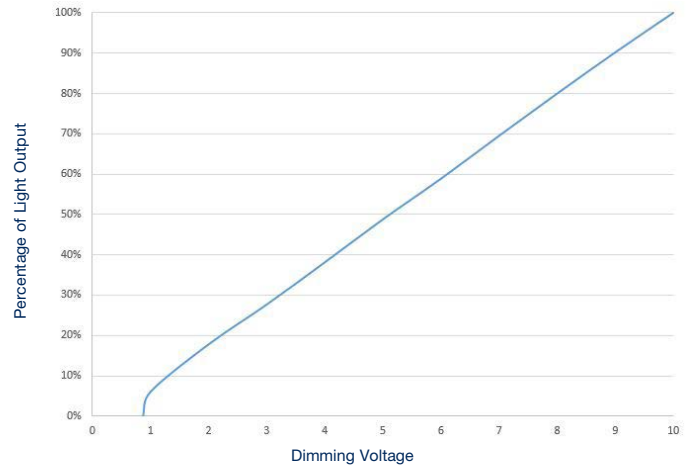


0-10V Dimming

Input Power VS Dimming Voltage



Light Output VS Dimming Voltage

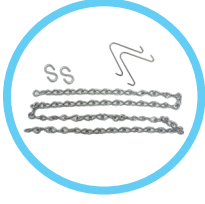


DISCLAIMER. All product information provided is, to the best of Dialight's knowledge, accurate as of the date of publication. When ordering, refer to www.dialight.com for current versions of: (a) relevant product documentation (including the relevant product data sheets); (b) Dialight terms and conditions of sale; and, (c) the relevant product warranty. To the extent that any contract is deemed formed between Dialight and the purchaser of Dialight products and/or an end-user, versions of documents available at www.dialight.com as at the date of sale shall be the versions incorporated therein. In the event of any discrepancy between this document or information provided at www.dialight.com, the latter shall prevail.

Mounting Accessories



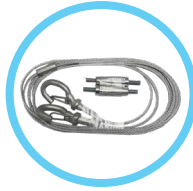
- RH-MCAB-5 (6' option)**
RH-MCAB-10 (10' option)
RH-MCAB-15 (16' option)
RH-MCAB-20 (22' option)
- Wire rope hanging kit
 - Includes electro-galvanized 2mm steel looped end wires (2x), wire locking devices (2x) & v-hangers (2x)



- RH-CHAIN-3 (3' option)**
RH-CHAIN-4 (4' option)
RH-CHAIN-6 (6' option)
- Jack chain hanging kit
 - Includes #12 steel chains (2x), s-hooks (4x), and v-hangers (2x)
 - For use with single configured models only



- RH-PENDANT-BRKT**
- 3/4" NPT pendant mount kit
 - Includes low copper A360 aluminum die cast adapter and hardware
 - For use with single configured models only



- RH-YCAB-5 (6' option)**
RH-YCAB-10 (10' option)
RH-YCAB-20 (22' option)
- Wire rope hanging kit
 - Includes electro-galvanized 2mm steel y-hook wires (2x) and wire locking devices (2x)



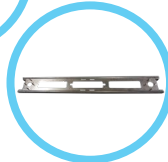
- RH-VHANGER**
- 304 stainless steel v-hangers (2x)



- HBXCAB48**
- 48" long stainless steel safety securing wire rope (2x)



- RH-TANBRKT-SBS**
- Side-by-side tandem kit
 - Includes 304 stainless steel brackets, hardware, and wire harnesses



- RH-TANBRKT-E2E**
- End-to-end tandem kit
 - Includes 304 stainless steel brackets, hardware, and wire harnesses

Additional Accessories

For use as replacement parts or for field customized projects.



- RH-WIRELESS-1**
- IntelliLED wireless control kit
 - 2x required for tandem models



- RH-WS-OCC-321**
- WattStopper FSP-321 PIR occupancy sensor kit
 - Bluetooth adjustable via Legrand app
 - Time delay: 5 min-30 min.; default 15 minute
 - Maximum coverage 100' diameter from 40' height
 - Not for use with 36K+Uplight and 72K+Uplight models



- RH-UPL-CWC (CW)**
RH-UPL-NWC (NW)
- Direct up-lighting kit - set of 2
 - For use with 30K, 36K, 60K, 72K models



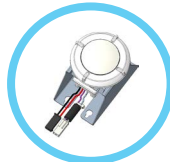
- RH-UPL-CWB (CW)**
RH-UPL-NWB (NW)
- Direct up-lighting kit - set of 2
 - For use with 18k, 24k, 48K models



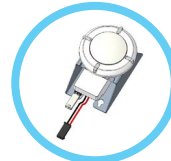
- RH-10KV-277**
RH-10KV-480
- 100-277 VAC Littelfuse LSP10 surge protection kit
 - 347-480 VAC Littelfuse LSP10 surge protection kit



- RH-WS-OCC-212**
- WattStopper FSP-212 PIR occupancy sensor kit
 - For 100-277 VAC models
 - Adjustable via dipswitch on sensor
 - Time delay: 30 sec.-30 min.; default 15 minute
 - Maximum coverage 100' diameter from 40' height
 - Not for use with 36K+Uplight and 72K+Uplight models

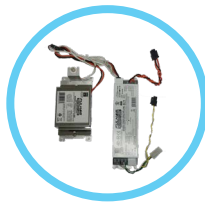


- RH-WS-OCC-202**
- WattStopper FSP-202 PIR occupancy sensor kit
 - Adjustable via dipswitch on sensor
 - Time delay: 30 sec.-30 min.; default 15 minute
 - Maximum coverage 100' diameter from 40' height
 - For use with 36K+Uplight and 72K+Uplight models only



- RH-WS-OCC-301**
- WattStopper FSP-301 PIR occupancy sensor kit
 - Bluetooth adjustable via Legrand app
 - Time delay: 5 min-30 min.; default 15 minute
 - Maximum coverage 100' diameter from 40' height
 - For use with 36K+Uplight and 72K+Uplight models only

Battery Backup Accessories (100-277 VAC Models ONLY)



- RH-EBU-800**
- 5W battery backup kit (~800 lumens)
 - Fulham FHSCP-UNV-10P-L-SD driver
 - Fulham FHSBATL3-1.5-SD battery pack
- RH-EBU-1500**
- 10W battery backup kit (~1,500 lumens)
 - Fulham FHSCP-UNV-10P-L-SD driver
 - Fulham FHSBATL3-3-SD battery pack

NOT for use with 480V fixtures
 Factory installed power cord is not available with Battery Back-up option

MODEL	RH-WS-OCC-321	RH-UPL-CWC (CW)	RH-UPL-NWC (NW)	RH-10KV-V-277	RH-EBU-800	RH-EBU-1500
100-277 VAC	✓	✓	✓	✓	✓	✓
347-480 VAC	✓	✓	✓	✓	✓	✓

DISCLAIMER. All product information provided is, to the best of Dialight's knowledge, accurate as of the date of publication. When ordering, refer to www.dialight.com for current versions of: (a) relevant product documentation (including the relevant product data sheets); (b) Dialight terms and conditions of sale; and, (c) the relevant product warranty. To the extent that any contract is deemed formed between Dialight and the purchaser of Dialight products and/or an end-user, versions of documents available at www.dialight.com as at the date of sale shall be the versions incorporated therein. In the event of any discrepancy between this document or information provided at www.dialight.com, the latter shall prevail.

North American HQ

1501 Route 34 South
Farmingdale, NJ 07727
Tel: 732-919-3119
Fax: 732-751-5778
info@dialight.com

Brazil

Alameda Mercurio,
225 – American Park Empresarial NR
Indaiatuba – SP – 13347– 662
Tel: +55 (19) 3113-4300
Fax: +55 (19) 3113-4300
brasil@dialight.com

WARNING / DISCLAIMERS:

Installation & secondary retention. The use of this product without proper installation (including secondary retention / netting) and periodic inspections, could cause severe injury or death. Dialight recommends that all installations should use secondary retention / netting (appropriate to the installation environment) as applicable. Dialight products are intended for ultimate purchase, installation and operation by knowledgeable persons trained in the functional assessment, installation, use and maintenance of such products and all customers (including but not limited to end customers) are responsible for assessing the suitability of Dialight products for any given installation requirement. It is the exclusive responsibility of the contractor, installer and/or end-user to: (a) determine the suitability of the product for its intended application; and, (b) ensure that the product is safely installed (with secondary retention / netting as appropriate) and in compliance with all applicable laws and regulations.

Product specifications & warranties. All product information provided is, to the best of Dialight's knowledge, accurate as of the date of publication. All values and performance data herein are design or typical values when measured under laboratory conditions. The information herein is subject to change without notice. The products / software detailed herein are subject to applicable warranties and terms and conditions of use/purchase. Unless agreed otherwise in writing by an authorized representative of Dialight, Dialight does not represent that its products are fit for any particular purpose and accepts no liability for the installation and/or unauthorised use of its products. When ordering, refer to www.dialight.com for current versions of: (a) relevant product documentation (including relevant product data sheets); (b) Dialight terms and conditions of sale; and, (c) the relevant product warranties. To the extent that any contract is deemed formed between Dialight and the purchaser of Dialight products and/or an end-user, versions of documents available at www.dialight.com as at the date of sale shall be the versions incorporated therein. In the event of any discrepancy between this document and information provided at www.dialight.com, the latter shall prevail.

Exclusion of liability. To the extent permissible under the relevant law, Dialight disclaims all liability for personal injury and/or other damage resulting from any dislodgment or other dislocation of its products. Whilst Dialight has used its reasonable endeavours to ensure the completeness and accuracy of information herein, Dialight does not assume any liability for damages resulting from use of this information or for any third-party representations made in relation to Dialight products.