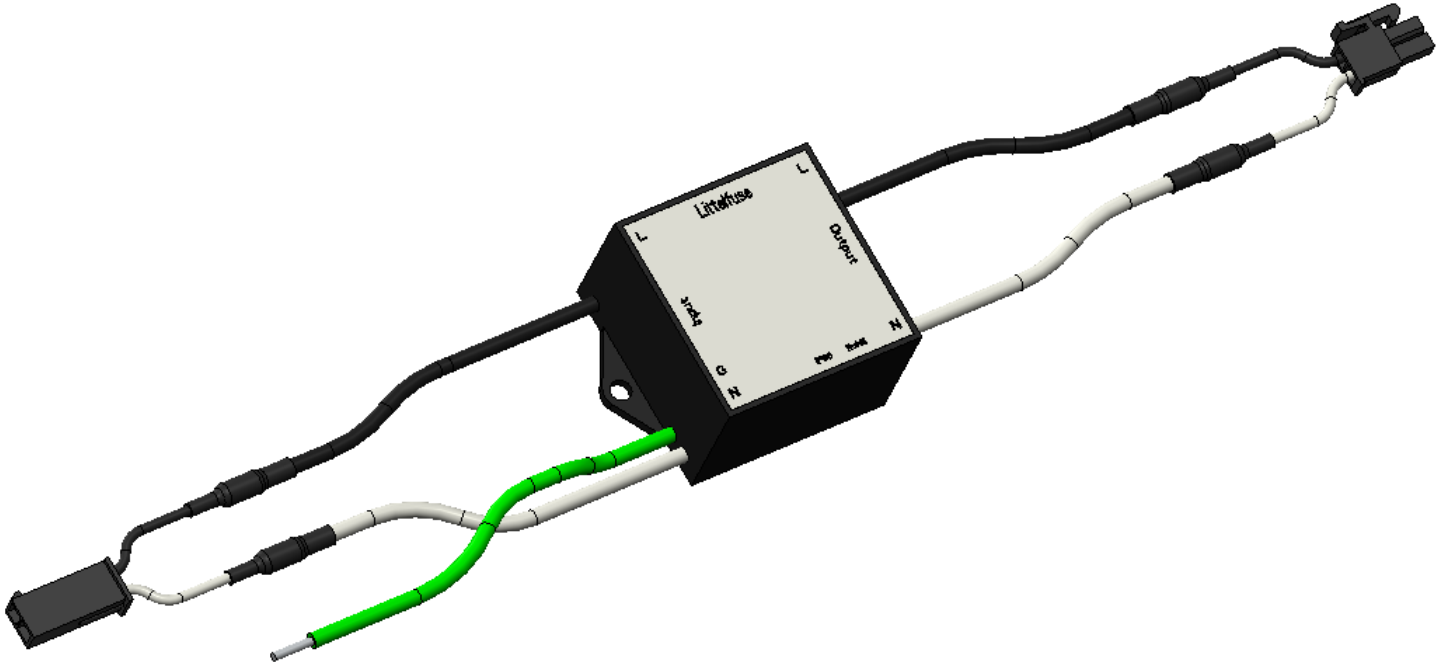


Important Information

These instructions contain safety information, read and follow them carefully. Dialight will not accept any responsibility for injury, damage or loss which may occur due to incorrect installation, operation or maintenance.

Operation/Installation Instructions



Language	Page Number
English	2

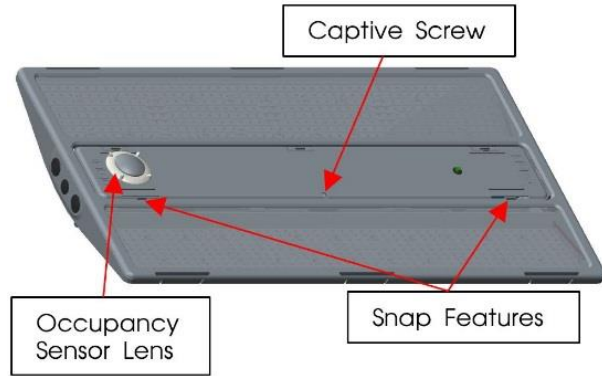
Note: Save these instructions for future use

NOTE: For replacement kits, see steps 1-6. For upgrade kits, see steps 1, 4, 5, and 6

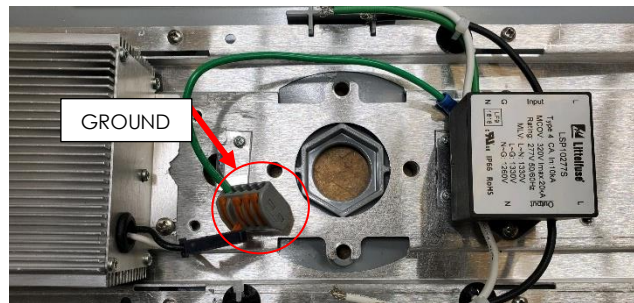
Luminaires with additional surge protection will have 10kV surge capabilities. If a surge is encountered, the module will prevent the luminaire from turning on and will need to be replaced.

1. Open the access cover on the luminaire by loosening the captive screw. If the luminaire is equipped with a center mounted occupancy sensor, remove the sensor lens by rotating the lens ¼ turn counterclockwise. Then undo the snap features and slide the cover open.

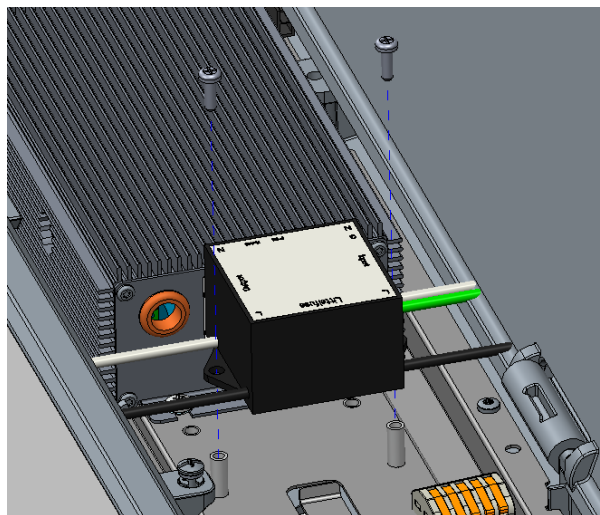
WARNING: To avoid fire and electrical shock, turn off power at circuit breaker or fuse and test that the power is off before wiring.



1. Disconnect the surge module input and output connectors and remove the ground wire from the 5-position lever nut. (shown below).



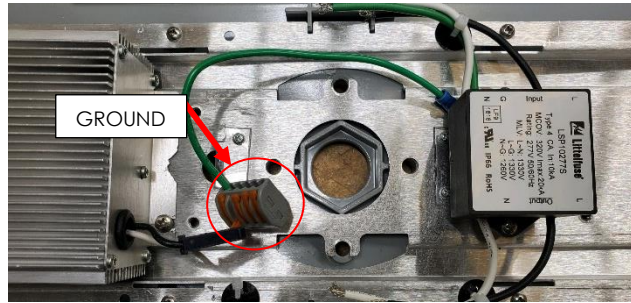
2. Remove the 2x 6-32 Philips SEMS screws and remove the surge module from the luminaire (shown below). Discard.



3. Install the new surge module using the supplied 2x 6-32 Philips SEMS screws (shown above). Torque to 12-15 in-lbs.



4. Connect the surge module input, output, and ground (shown below).



5. Tilt the access cover closed, engage the snap features, and tighten the captive screw. Torque to 14-16 in-lbs.
 - a. If the luminaire contains an occupancy sensor, replace the sensor lens by sliding it onto the sensor and then twisting $\frac{1}{4}$ turn clockwise until snug.
6. Power the luminaire on and insure proper function.
 - a. If the luminaire contains battery backup, press and hold the battery test button for 5 seconds to ensure the luminaire goes into battery backup mode.

Official Statement

All statements, technical information, and recommendations contained herein are based on information and tests that Dialight believes to be reliable. The accuracy or completeness thereof is not guaranteed. In accordance with Dialight "Terms and Conditions of Sale" and since conditions of use are outside our control, the purchaser should determine the suitability of the product for his or her intended use and assumes all risk and liability whatsoever in connection therewith.