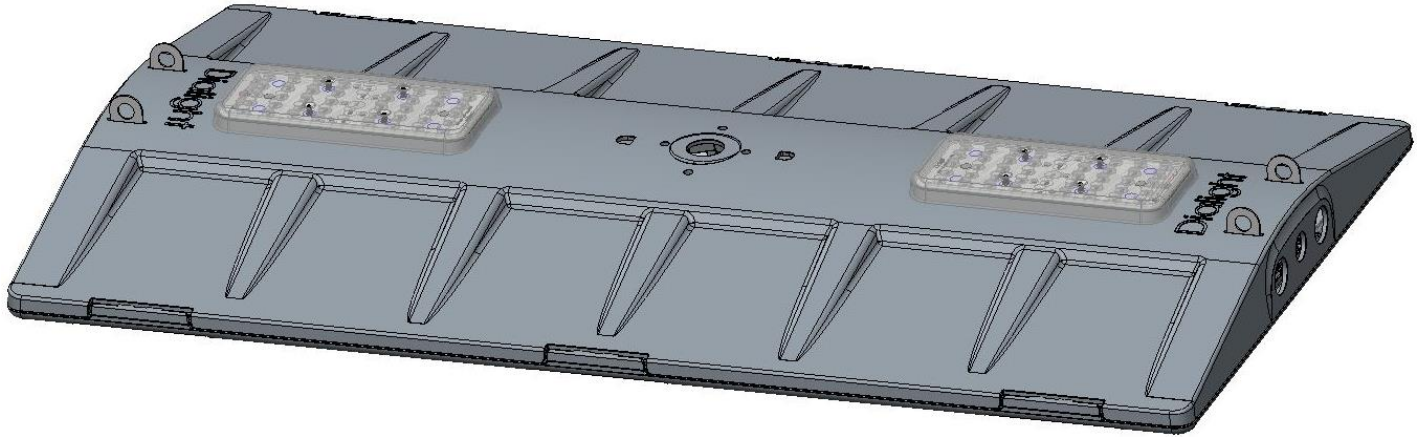


### Important Information

These instructions contain safety information, read and follow them carefully. Dialight will not accept any responsibility for injury, damage or loss which may occur due to incorrect installation, operation or maintenance.

## Operation/Installation Instructions



Language	Page Number
English	2

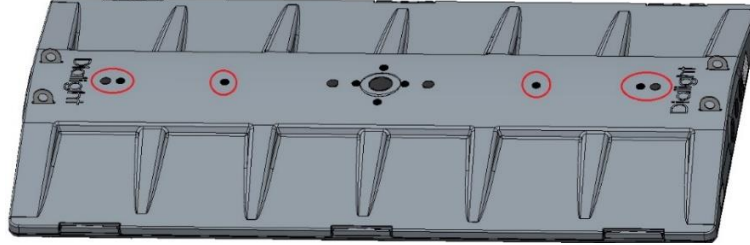
**Note:** Save these instructions for future use



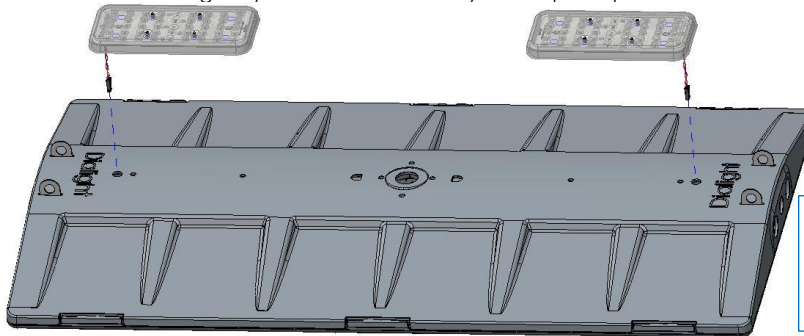
Part Number	Description
RH-UPL-CWB	1.8k CW Uplight
RH-UPL-NWB	1.8k NW Uplight
RH-UPL-CWC	3.0k CW Uplight
RH-UPL-NWC	3.0k NW Uplight

**WARNING:** Ensure the luminaire is disconnected from AC power before servicing.

1. Remove the blanking plugs (shown below) from the top of the luminaire.

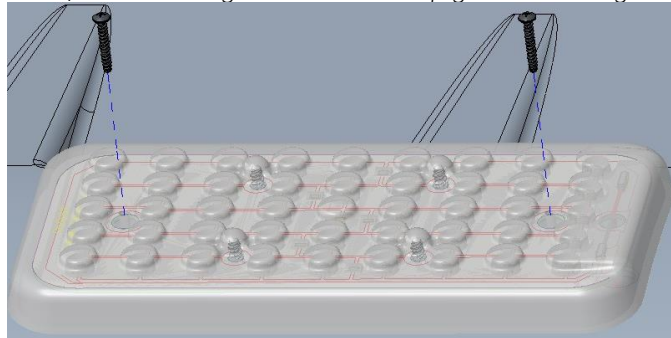


2. Install the uplight modules into the highbay as shown below. They will snap into place.

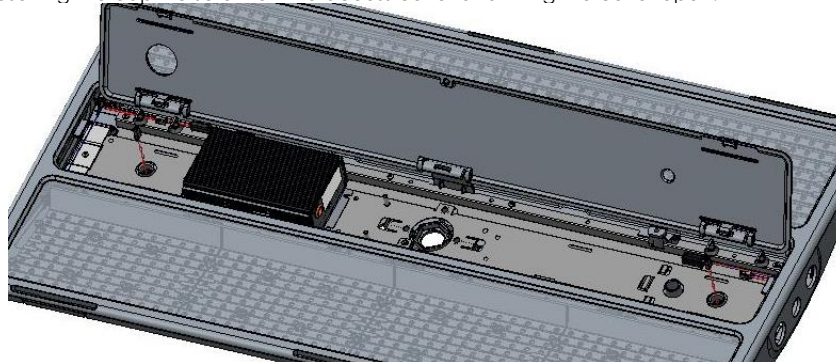


**NOTE:** To aid installation, removal of battery pack, occupancy sensor, or wireless module may be required.

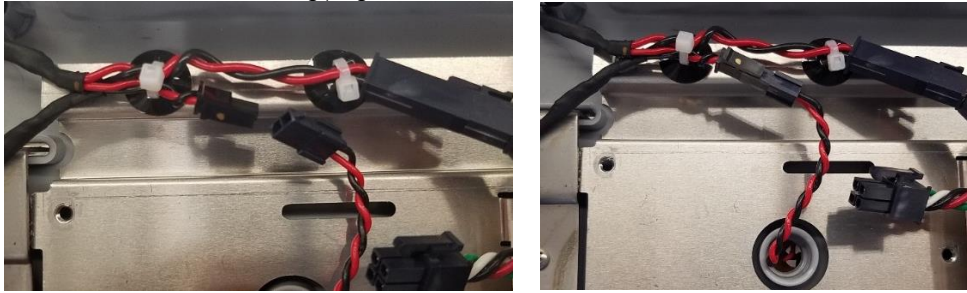
3. *OPTIONALLY:* Install the supplied #4-20x 3/4" self-threading screws to lock the uplight to the housing.



4. Open the luminaire by loosening the captive screw on the access cover and tilting the cover open.



5. Connect the uplight wire harnesses to the matching plugs on the luminaire as shown below.



6. Tilt the access cover closed. Ensure the tabs have engaged and clicked shut. Tighten the captive screw and torque to 14-16 in-lbs.

### Official Statement

All statements, technical information, and recommendations contained herein are based on information and tests that Dialight believes to be reliable. The accuracy or completeness thereof is not guaranteed. In accordance with Dialight "Terms and Conditions of Sale" and since conditions of use are outside our control, the purchaser should determine the suitability of the product for his or her intended use and assumes all risk and liability whatsoever in connection therewith.