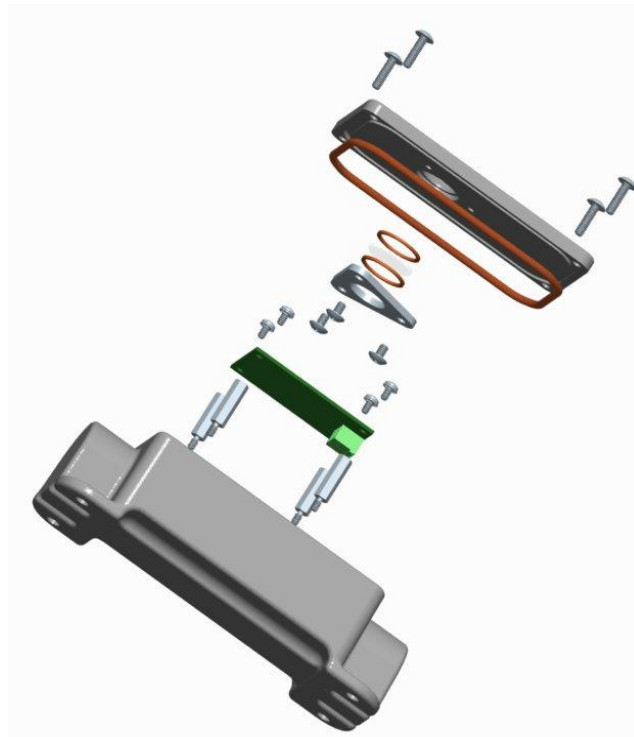

**INSTALLATION AND MAINTENANCE
MANUAL
FOR
DHZB60xxPEC
Photocell for use with Dialight Obstruction
products only**



These instructions contain important safety information, read and follow them carefully. Dialight will not accept any responsibility for injury, damage or loss which may occur due to incorrect installation, operation or maintenance



Classifications:

- **HAZARDOUS LOCATIONS: CLASS I DIV 2 GROUPS B, C, D**
(Max Ambient Temp: +65°C)
- **Outdoor Type: Rain tight, NEMA 4X**
- **Ta - Ambient Temp: -40 TO +65°C T4A**
- **Ta - Ambient Temp: -40 TO +55°C T4A**

Overview:

The photocell is a long life photocell that requires no maintenance or adjustment during the life of the product or during the installation process. It has reverse polarity protection and additional circuitry for miss-wiring.

The photocell can only be used with Dialight's obstruction products and the only connections required are wiring from the controller to the photocell.

The photocell comes supplied with 1 end threaded for 3/4 or 1/2 NPT Conduit, which is recommended for installing the photocell. If a cable without conduit is used in a hazardous location installation then the cable at minimum MUST have either a shield or braid that is properly connected to body of the photocell and to the enclosure of the controller it is being installed to. Failure to properly ground or use a cable without the shield or braid will void all warranties and the product could be subject to premature failures.

WARNING: If any adaptors are used or required during the install process than properly rated connectors for C1D2 applications are required.

The Photocell requires 3 connections to be made to the inside of the photocell itself and 3 inside the controller.

Cable Requirements:

3 Conductors rated for a minimum of 90c

18 gauge conductors

Suggested colors are RED, BLACK and GREEN

Input Electrical Parameters:

Voltage Input	12Vdc +/-10%	maximum
Wattage	0.20 watts	nominal
Input current	31mA	maximum
Dimensions	See dimensional drawing	
Weight	2 lbs (1.1kg)	nominal
ETL Certified	ISA 12.12.01 C22.2 No.213	



Installation:**⚠ Warning:**

To avoid the risk of fire, explosion, or electric shock, this product should be installed, inspected, and maintained by a qualified electrician only, in accordance with all applicable electrical codes.

⚠ Warning:

To avoid electric shock:

- Be certain electrical power is OFF before and during installation and maintenance.
- Photocell must only be connected to Dialight Corp approved products.

⚠ Warning:

To avoid explosion:

- Do not connect to equipment that Photocell is not intended for.
- Ensure the marked T Rating is less than the ignition temperature of the Hazardous Atmosphere.
- Do not operate in ambient temperatures above those indicated on the fixtures label.
- Do not operate if the lens is cracked or damaged. All fasteners must be properly seated.

⚠ Warning:

To avoid explosion (Continued):

- EXPLOSION HAZARD- DO NOT DISCONNECT EQUIPMENT UNLESS POWER HAS BEEN SWITCHED OFF OR THE AREA IS KNOWN TO BE NON-HAZARDOUS
- AVERTISSEMENT - RISQUE D'EXPLOSION - AVANT DE DECONNECTER L'EQUIPEMENT, COUPER LE COURANT OU S'ASSURER QUE L'EMPLACEMENT EST DESIGNE NON DANGEREUX
- DO NOT REMOVE OR REPLACE WHILE CIRCUIT IS LIVE UNLESS THE AREA IS KNOWN TO BE FREE OF IGNITIBLE CONCENTRATIONS.
- THIS EQUIPMENT IS SUITABLE FOR USE IN CLASS I, DIVISION 2, GROUPS B, C, D, OR NON-HAZARDOUS LOCATIONS ONLY
- EXPLOSION HAZARD – DO NOT DISCONNECT WHILE THE CIRCUIT IS LIVE OR UNLESS THE AREA IS KNOWN TO BE FREE OF IGNITABLE CONCENTRAITIONS.
- WARNING – EXPLOSION HAZARD – DO NOT REPLACE ANY COMPONENTS UNLESS POWER HAS BEEN SWITCHED OFF OR THE AREA KNOWN TO BE NON-HAZARDOUS.
- AVERTISSEMENT – RISQUE D'EXPLOSION – NE PAS REMPLACER LES COMPOSANTES QUE L'ALIMENTATION EST COUPEE OU QUE LA ZONE EST CONNUE POUR ETRE NON DANGEREUX.
- WARNING - EXPLOSION HAZARD – SUBSTITUTION OF COMPONENTS MAY IMPAIR SUITABILITY FOR CLASS I, DIVISION 2.
- AVERTISSEMENT - RISQUE D'EXPLOSION - LA SUBSTITUTION D E COMPOSANTSP EUTR ENDRE CE MATERIEL INACCEPTABLE POUR LES EMBLACEMENTS DE CLASSE I, DIVISION 2.

⚠ Warning:

- DO NOT mount near gas or electric heaters
- Equipment should be mounted in locations and at heights where it will not be subjected to tampering by unauthorized personnel.
- The use of accessory equipment not recommend by the manufacture may cause an unsafe condition
- DO NOT use this equipment for other than intended use

⚠ Warning:

The technical data indicated on the Photocell are to be observed.

- Changes to the design and modifications of the Photocell are not permitted
- Only genuine Dialight replacement parts are to be used when unforeseen maintenance is required. Consult factory at www.Dialight.com or authorized representative as required.

Mounting Instructions:

Photocell must be mounted in outdoor location and must face North to provide accurate switching between modes of operation.

Photocell must be located within 500 feet of the controller.

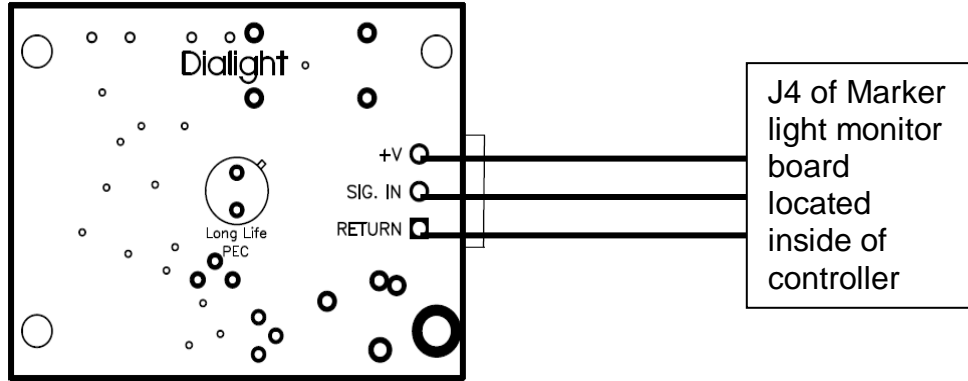
Mode Operation:

A-D volts	RED	Dual	Hi Int.
1.53	Night-Day		Twi-Day
1.53	Day-Night		Day-Twi
1.48		Night-Day	Night-Twi
1.44		Day-Night	Twi-Night



Wiring Connection diagram:

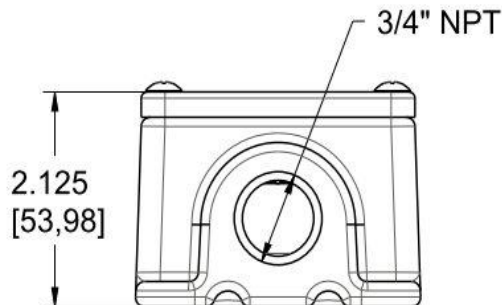
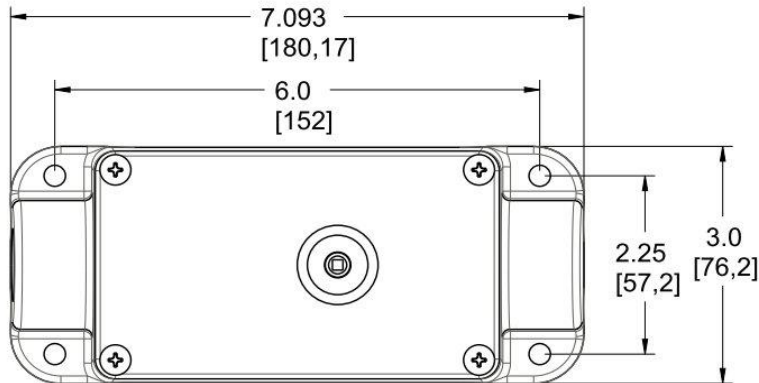
Inside of Photocell



TOP VIEW

- +V = 12Vdc (supplied from controller)
- SIG. IN = sense voltage relayed to controller
- Return = ground

Dimensional drawing:



REVISION HISTORY

<u>REV</u>	<u>ECO No.</u>	<u>DRN</u>	<u>CKD</u>	<u>APP</u>	<u>QA</u>	<u>CM</u>	<u>DATE</u>
A	14636	SA	DW	BAM	JP	JN	11-27-13
B	64574	TLD	AV	AR	YS	JN	11-13-19

