

Dialight



Vigilant® LED High Bay - APAC

for Indoor and Outdoor Industrial Applications



MAY 2021

Vigilant® LED High Bay - RCM / CE / UL

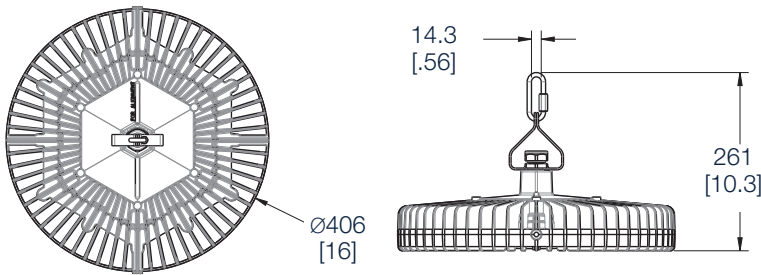
Standard Models



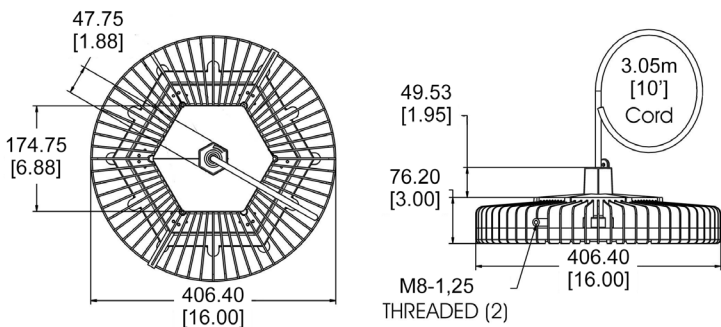
Certifications & Ratings

- 10 year warranty
- L70 >150,000 hours @ 25°C ambient
- CE / RCM / UL 1598/A (wet locations)
- IK10 to EN 50102 (Polycarbonate lens)
IK06 to EN 50102 (Acrylic lens)
IK05 to EN 50102 (Glass lens)

CE/RCM Model



UL Model



Dimensions in mm [inches]

Mechanical Information:

Fixture weight:	8.2 kg (18 lb)
Shipping weight:	10.9 kg (24 lb)
Mounting:	Hook (CE/RCM) or 3/4" NPT Pendant (UL) swivel bracket (sold separately) Secondary retention option available
Cabling:	1.8m H07BN4-F power cord (CE/RCM) or 3m ST00W power cord (UL)

Electrical Specifications:

Operating Voltage:	100-277 VAC, 120-250 VDC
Total system power consumption:	See table
Operating Temp:	-40°C to +65°C (-40°F to +149°F)
Harmonics:	IEC 61000-3-2
Transient protection:	Tested to withstand up to 8kV/4kA per IEEE C62.41

THD: <20%

Power Factor: > 0.9

Construction:

Housing:	Copper free aluminum
Finish:	Superior dual coat finish - Sealed polyester topcoat - Chemical-resistant epoxy primer
Lens:	Tempered glass Polycarbonate (flat or dome) Acrylic (flat)

Photometric Information:

CRI:	80
CCT:	5000K (cool white) 4000K (neutral white) 2700K (warm white)

All values typical unless otherwise stated (tolerance +/- 10%)

WARNING - INSTALLATION & SECONDARY RETENTION. Use of any Dialight products without proper installation (including secondary retention / netting) and periodic inspections could cause severe injury or death. Dialight recommends that all installations should use secondary retention / netting (appropriate to the installation environment) where applicable. It is the exclusive responsibility of the contractor, installer and/or end-user to: (a) determine the suitability of the product for its intended application; and, (b) ensure that the product is safely installed (with secondary retention / netting where appropriate) and in compliance with all applicable laws and regulations. To the extent permissible under applicable laws, Dialight disclaims all liability for personal injury and/or other damage resulting from any dislodgment or other dislocation of its products.

Vigilant® LED High Bay - RCM / CE

Ordering Information

Part Number	Fixture Lumens	Wattage	lm/W	Voltage	Colour Temperature (CCT)	Beam Distribution
RCM / CE - Slim Body - Glass Lens - HEE7						
HEE7MN2ANH-VZGN	11,400	80	143	100-277 VAC, 120-250 VDC	4000K (neutral white)	Medium
HEE7MN2BNH-VZGN	14,600	100	146	100-277 VAC, 120-250 VDC	4000K (neutral white)	Medium
HEE7MN2CNH-VZGN	19,400	130	149	100-277 VAC, 120-250 VDC	4000K (neutral white)	Medium
HEE7MN2ENH-VZGN	27,000	185	146	100-277 VAC, 120-250 VDC	4000K (neutral white)	Medium
HEE7MC2ANH-VZGN	11,600	80	145	100-277 VAC, 120-250 VDC	5000K (cool white)	Medium
HEE7MC2BNH-VZGN	14,900	100	149	100-277 VAC, 120-250 VDC	5000K (cool white)	Medium
HEE7MC2CNH-VZGN	19,800	130	152	100-277 VAC, 120-250 VDC	5000K (cool white)	Medium
HEE7MC2ENH-VZGN	27,500	185	149	100-277 VAC, 120-250 VDC	5000K (cool white)	Medium
RCM / CE - Slim Body - Acrylic Lens - HEE2						
HEE2MN2ANH-VZGN	11,300	80	141	100-277 VAC, 120-250 VDC	4000K (neutral white)	Medium
HEE2MN2BNH-VZGN	14,500	100	145	100-277 VAC, 120-250 VDC	4000K (neutral white)	Medium
HEE2MN2CNH-VZGN	19,200	130	148	100-277 VAC, 120-250 VDC	4000K (neutral white)	Medium
HEE2MN2ENH-VZGN	26,700	185	144	100-277 VAC, 120-250 VDC	4000K (neutral white)	Medium
HEE2MC2ANH-VZGN	11,500	80	144	100-277 VAC, 120-250 VDC	5000K (cool white)	Medium
HEE2MC2BNH-VZGN	14,800	100	148	100-277 VAC, 120-250 VDC	5000K (cool white)	Medium
HEE2MC2CNH-VZGN	19,600	130	151	100-277 VAC, 120-250 VDC	5000K (cool white)	Medium
HEE2MC2ENH-VZGN	27,200	185	147	100-277 VAC, 120-250 VDC	5000K (cool white)	Medium
RCM / CE - Slim Body - Polycarbonate Dome Lens - HEEL						
HEELMN2ANH-VZGN	11,100	80	139	100-277 VAC, 120-250 VDC	4000K (neutral white)	Medium
HEELMN2BNH-VZGN	14,300	100	143	100-277 VAC, 120-250 VDC	4000K (neutral white)	Medium
HEELMN2CNH-VZGN	19,000	130	146	100-277 VAC, 120-250 VDC	4000K (neutral white)	Medium
HEELMN2ENH-VZGN	26,400	185	143	100-277 VAC, 120-250 VDC	4000K (neutral white)	Medium
HEELMC2ANH-VZGN	11,400	80	143	100-277 VAC, 120-250 VDC	5000K (cool white)	Medium
HEELMC2BNH-VZGN	14,600	100	146	100-277 VAC, 120-250 VDC	5000K (cool white)	Medium
HEELMC2CNH-VZGN	19,400	130	149	100-277 VAC, 120-250 VDC	5000K (cool white)	Medium
HEELMC2ENH-VZGN	27,000	185	146	100-277 VAC, 120-250 VDC	5000K (cool white)	Medium

All values typical unless otherwise stated (tolerance +/- 10%).

For additional controls options including IntelliLED wireless controls, contact a Dialight sales representative for spec sheet.

Part numbers listed in bold are typically available in stock.

Historical part number provided for reference only. For performance characteristics of historical product, please contact your local representative.

Vigilant® LED High Bay - UL

Ordering Information

Part Number	Legacy Part Number	Fixture Lumens	Wattage	lm/W	Voltage	Colour Temperature (CCT)	Lens	Beam Distribution
UL - 3/4" NPT Models - Neutral White								
HEU7MN2ANN-WNGN	HEGMN4DN-SNG	11,400	80	143	100-277 VAC, 120-250 VDC	4000K (neutral white)	Clear Tempered Glass	Medium
HEU7MN2BNN-WNGN	HEGMN4GN-SNG	14,600	100	146	100-277 VAC, 120-250 VDC	4000K (neutral white)	Clear Tempered Glass	Medium
HEU7MN2CNN-WNGN	HEGMN4KN-SNG	19,400	130	149	100-277 VAC, 120-250 VDC	4000K (neutral white)	Clear Tempered Glass	Medium
HEU7MN2ENN-WNGN	HEGMN4PN-SNG	27,000	185	146	100-277 VAC, 120-250 VDC	4000K (neutral white)	Clear Tempered Glass	Medium
UL - 3/4" NPT Models - Cool White								
HEU7MC2ANN-WNGN	HEGMC4DN-SNG	11,600	80	145	100-277 VAC, 120-250 VDC	5000K (cool white)	Clear Tempered Glass	Medium
HEU7MC2BNN-WNGN	HEGMC4GN-SNG	14,900	100	149	100-277 VAC, 120-250 VDC	5000K (cool white)	Clear Tempered Glass	Medium
HEU7MC2CNN-WNGN	HEGMC4KN-SNG	19,800	130	152	100-277 VAC, 120-250 VDC	5000K (cool white)	Clear Tempered Glass	Medium
HEU7MC2ENN-WNGN	HEGMC4PN-SNG	27,500	185	149	100-277 VAC, 120-250 VDC	5000K (cool white)	Clear Tempered Glass	Medium
UL - 3/4" NPT Models - Neutral White								
HEU2MN2ANN-WNGN	HE1MN4DN-SNG	11,300	80	141	100-277 VAC, 120-250 VDC	4000K (neutral white)	Clear Acrylic	Medium
HEU2MN2BNN-WNGN	HE1MN4GN-SNG	14,500	100	145	100-277 VAC, 120-250 VDC	4000K (neutral white)	Clear Acrylic	Medium
HEU2MN2CNN-WNGN	HE1MN4KN-SNG	19,200	130	148	100-277 VAC, 120-250 VDC	4000K (neutral white)	Clear Acrylic	Medium
HEU2MN2ENN-WNGN	HE1MN4PN-SNG	26,700	185	144	100-277 VAC, 120-250 VDC	4000K (neutral white)	Clear Acrylic	Medium
UL - 3/4" NPT Models - Cool White								
HEU2MC2ANN-WNGN	HE1MC4DN-SNG	11,500	80	144	100-277 VAC, 120-250 VDC	5000K (cool white)	Clear Acrylic	Medium
HEU2MC2BNN-WNGN	HE1MC4GN-SNG	14,800	100	148	100-277 VAC, 120-250 VDC	5000K (cool white)	Clear Acrylic	Medium
HEU2MC2CNN-WNGN	HE1MC4KN-SNG	19,600	130	151	100-277 VAC, 120-250 VDC	5000K (cool white)	Clear Acrylic	Medium
HEU2MC2ENN-WNGN	HE1MC4PN-SNG	27,200	185	147	100-277 VAC, 120-250 VDC	5000K (cool white)	Clear Acrylic	Medium

All values typical unless otherwise stated (tolerance +/- 10%).

For additional controls options including IntelliLED wireless controls, contact a Dialight sales representative for spec sheet.

Part numbers listed in bold are typically available in stock.

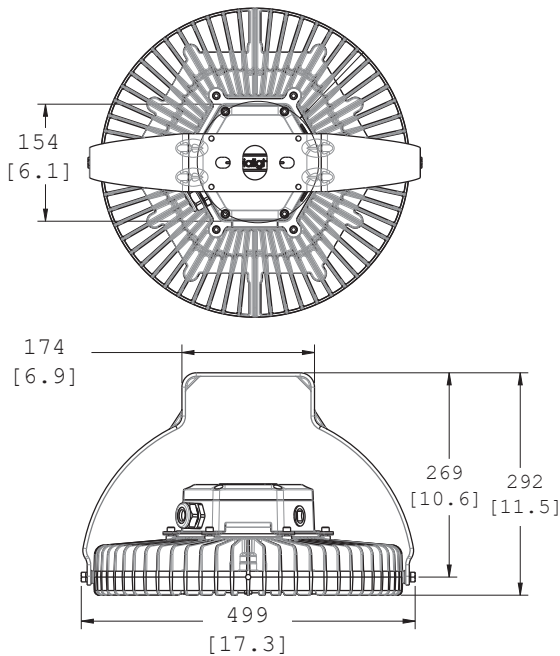
Historical part number provided for reference only. For performance characteristics of historical product, please contact your local representative.

Vigilant® LED High Bay Integrated Wiring Box Models



Certifications & Ratings

- 10 year warranty
- L70 >150,000 hours @ 25°C ambient
- CE / RCM / UL 1598/A (wet locations)
- IK10 to EN 50102 (Polycarbonate lens)
IK06 to EN 50102 (Acrylic lens)
IK05 to EN 50102 (Glass lens)



Comparison		
	Warranty	L70
Dialight LED High Bay	10yr	>150,000
Metal Halide	1	15,000
High Pressure Sodium	1	20,000

Mechanical Information:

Fixture weight:	9.1 kg (20 lb)
Shipping weight:	11.8 kg (26 lb)
Mounting:	Various kits (see page 10)
Cable entries:	M25 x 3
Terminals:	0.5-4mm ² x 5

Dimming Information:

Dimming:	DALI 1.0 and 2.0 compatible
Dimming Range:	100-5%

Electrical Specifications:

Operating Voltage:	100-277 VAC 120-250 VDC
Total system power consumption:	See table
Operating Temp:	-40°C to +65°C
Harmonics:	IEC 61000-3-2
Noise requirement /EMC:	EN 61547: 2009 Radiated and Conducted Emissions: EN 55015
EMC Immunity:	EN 61547: 2009
Transient protection:	Tested to withstand up to 8kV/4kA per IEEE C62.41
THD:	< 20%
Power Factor:	> 0.9
Construction:	
Housing:	Copper-free aluminium
Finish:	Superior dual coat finish -Sealed polyester topcoat -Chemical-resistant epoxy primer
Lens:	See table
Screws:	Stainless steel 316
Photometric Information:	
CRI:	80
CCT:	5000K (cool white) 4000K (neutral white)

All values typical unless otherwise stated (tolerance +/- 10%)

DISCLAIMER. All product information provided is, to the best of Dialight's knowledge, accurate as of the date of publication. When ordering, refer to www.dialight.com for current versions of: (a) relevant product documentation (including the relevant product data sheets); (b) Dialight terms and conditions of sale; and, (c) the relevant product warranty. To the extent that any contract is deemed formed between Dialight and the purchaser of Dialight products and/or an end-user, versions of documents available at www.dialight.com as at the date of sale shall be the versions incorporated therein. In the event of any discrepancy between this document or information provided at www.dialight.com, the latter shall prevail.

Vigilant® LED High Bay - RCM / CE / UL

Integrated Wiring Box - Ordering Information



Part Number	Legacy Part Number	Fixture Lumens	Wattage	lm/W	Voltage	Colour Temperature (CCT)	Lens	Beam Distribution
RCM / CE - Integrated Wiring Box - DALI with HBXW3 Bracket								
HWE-7MC2-EAAN-NGN	HEEGMC4PN-JNG	27,500	185	149	100-277 VAC, 120-250 VDC	5000K (cool white)	Clear Glass	Medium
HWE-7MN2-EAAN-NGN	HEEGMN4PN-JNG	27,000	185	146	100-277 VAC, 120-250 VDC	4000K (neutral white)	Clear Glass	Medium
HWE-7MC2-CAAN-NGN	HEEGMC4KN-JNG	19,800	130	152	100-277 VAC, 120-250 VDC	5000K (cool white)	Clear Glass	Medium
HWE-7MN2-CAAN-NGN	HEEGMN4KN-JNG	19,400	130	149	100-277 VAC, 120-250 VDC	4000K (neutral white)	Clear Glass	Medium
HWE-7MC2-BAAN-NGN	HEEGMC4GN-JNG	14,900	100	149	100-277 VAC, 120-250 VDC	5000K (cool white)	Clear Glass	Medium
HWE-7MN2-BAAN-NGN	HEEGMN4GN-JNG	14,600	100	146	100-277 VAC, 120-250 VDC	4000K (neutral white)	Clear Glass	Medium
HWE-7MC2-AAAN-NGN	HEEGMC4DN-JNG	11,600	80	145	100-277 VAC, 120-250 VDC	5000K (cool white)	Clear Glass	Medium
HWE-7MN2-AAAN-NGN	HEEGMN4DN-JNG	11,400	80	143	100-277 VAC, 120-250 VDC	4000K (neutral white)	Clear Glass	Medium
UL - Integrated Wiring Box - DALI with HBXW3 Bracket								
HWU-7MC2-EAAN-NGN		27,500	185	149	100-277 VAC, 120-250 VDC	5000K (cool white)	Clear Glass	Medium
HWU-7MN2-EAAN-NGN		27,000	185	146	100-277 VAC, 120-250 VDC	4000K (neutral white)	Clear Glass	Medium
HWU-7MC2-CAAN-NGN		19,800	130	152	100-277 VAC, 120-250 VDC	5000K (cool white)	Clear Glass	Medium
HWU-7MN2-CAAN-NGN		19,400	130	149	100-277 VAC, 120-250 VDC	4000K (neutral white)	Clear Glass	Medium
HWU-7MC2-BAAN-NGN		14,900	100	149	100-277 VAC, 120-250 VDC	5000K (cool white)	Clear Glass	Medium
HWU-7MN2-BAAN-NGN		14,600	100	146	100-277 VAC, 120-250 VDC	4000K (neutral white)	Clear Glass	Medium
HWU-7MC2-AAAN-NGN		11,600	80	145	100-277 VAC, 120-250 VDC	5000K (cool white)	Clear Glass	Medium
HWU-7MN2-AAAN-NGN		11,400	80	143	100-277 VAC, 120-250 VDC	4000K (neutral white)	Clear Glass	Medium

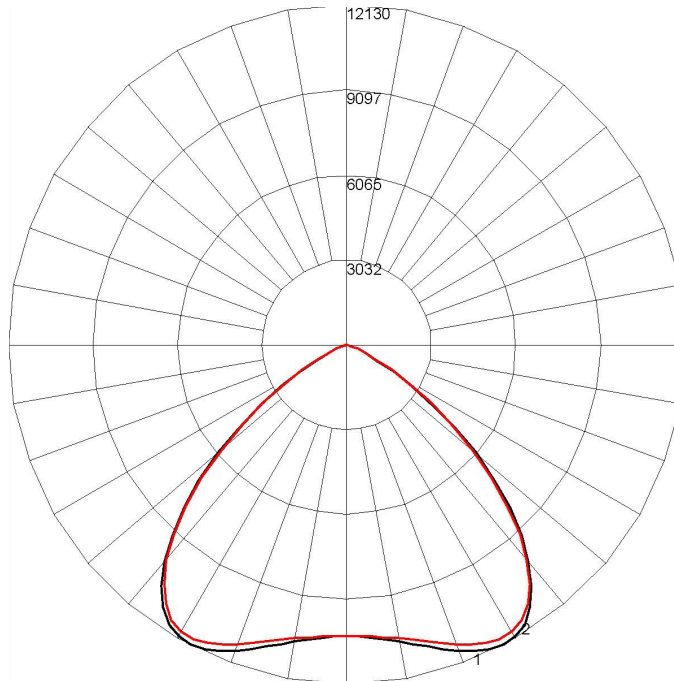
All values typical unless otherwise stated (tolerance +/- 10%).

Flat clear acrylic lens available. Consult local Dialight sales office for availability.

Historical part number provided for reference only. For performance characteristics of historical product, please contact your local representative.

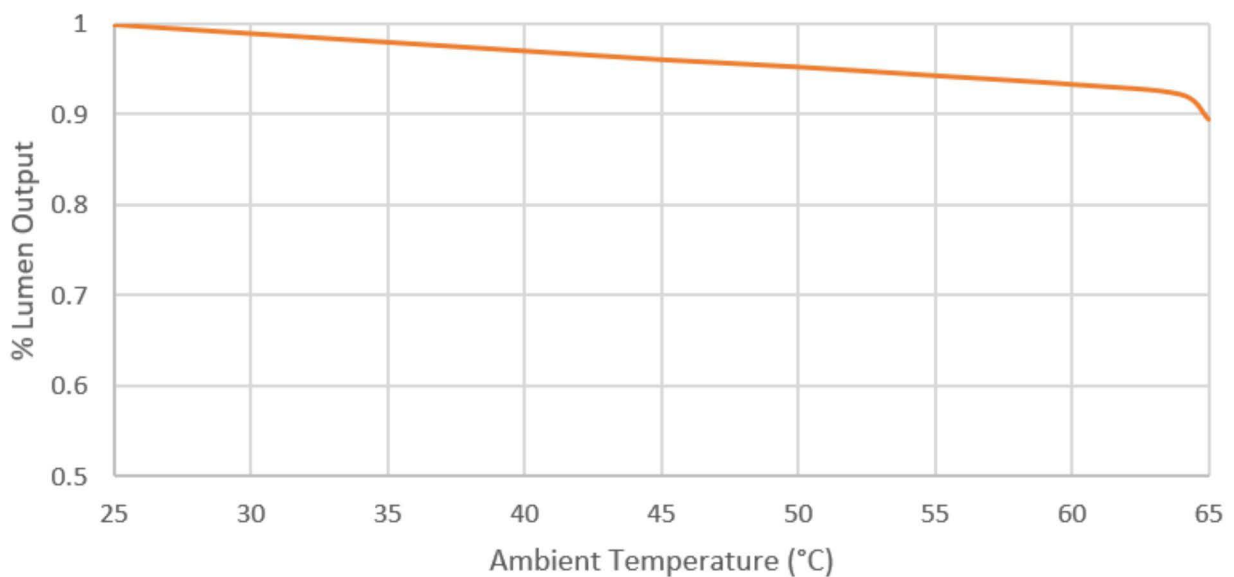
Beam Distribution

Medium



Maximum Candela = 12129.5 Located At Horizontal Angle = 0, Vertical Angle = 27.5
 # 1 - Vertical Plane Through Horizontal Angles (0 - 180)
 # 2 - Vertical Plane Through Horizontal Angles (90 - 270)

Thermal Roll-Off



DISCLAIMER. All product information provided is, to the best of Dialight's knowledge, accurate as of the date of publication. When ordering, refer to www.dialight.com for current versions of: (a) relevant product documentation (including the relevant product data sheets); (b) Dialight terms and conditions of sale; and, (c) the relevant product warranty. To the extent that any contract is deemed formed between Dialight and the purchaser of Dialight products and/or an end-user, versions of documents available at www.dialight.com as at the date of sale shall be the versions incorporated therein. In the event of any discrepancy between this document or information provided at www.dialight.com, the latter shall prevail.

In Rush Currents

Model	Max Wattage	In rush current @ input voltage				Approximate time duration (T50) of in rush current			
		100 VAC	120 VAC	230 VAC	277 VAC	100 VAC	120 VAC	230 VAC	277 VAC
11k	86	6.4	7.7	14.8	17.8	1.5ms	1.5ms	1.5ms	1.5ms
14k	109	6.4	7.7	14.8	17.8	1.5ms	1.5ms	1.5ms	1.5ms
19k	145	6.4	7.7	14.8	17.8	1.5ms	1.5ms	1.5ms	1.5ms
26k	205	6.4	7.7	14.8	17.8	1.5ms	1.5ms	1.5ms	1.5ms

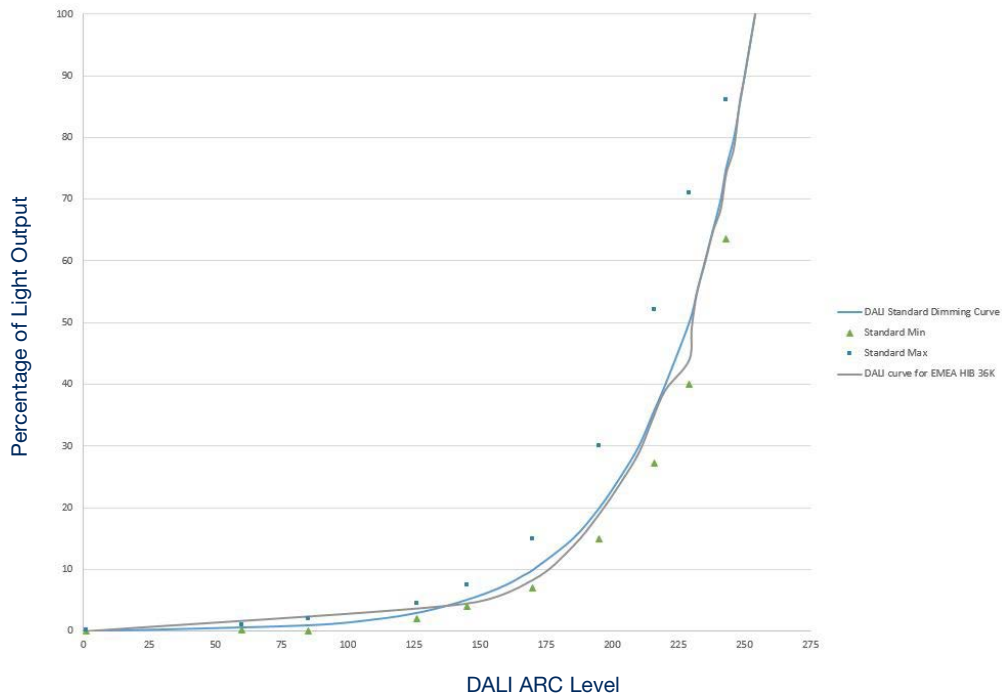
Lumen Maintenance Factor

% Lumen Output (120V)									
Ambient Temp (°C)	Hours								
	0	15000	30000	45000	60000	75000	90000	100000	150000
25	100%	98%	96%	95%	94%	92%	91%	90%	86%
30	99%	97%	95%	94%	93%	91%	90%	89%	85%
35	98%	96%	94%	93%	92%	91%	89%	89%	84%
40	97%	95%	94%	92%	91%	90%	88%	88%	84%
45	96%	94%	93%	91%	90%	89%	88%	87%	83%
50	95%	93%	92%	91%	89%	88%	87%	86%	82%
55	94%	92%	91%	90%	88%	87%	86%	85%	81%
60	94%	91%	90%	89%	88%	86%	85%	84%	81%
65	90%	88%	86%	84%	83%	81%	80%	79%	74%

Circuit Breaker

Model	Maximum # of Lights per Breaker @ 100 VAC			Maximum # of Lights per Breaker @ 120 VAC			Maximum # of Lights per Breaker @ 230 VAC			Maximum # of Lights per Breaker @ 277 VAC		
	C10	B16	C16	C10	B16	C16	C10	B16	C16	C10	B16	C16
11k	8	13	13	10	16	16	19	30	30	22	35	35
14k	6	10	10	8	12	12	15	24	24	17	28	28
19k	5	8	8	6	9	9	11	18	18	13	20	20
26k	3	5	5	4	7	7	8	13	13	9	15	15

DALI Dimming Curve



DISCLAIMER. All product information provided is, to the best of Dialight’s knowledge, accurate as of the date of publication. When ordering, refer to www.dialight.com for current versions of: (a) relevant product documentation (including the relevant product data sheets); (b) Dialight terms and conditions of sale; and, (c) the relevant product warranty. To the extent that any contract is deemed formed between Dialight and the purchaser of Dialight products and/or an end-user, versions of documents available at www.dialight.com as at the date of sale shall be the versions incorporated therein. In the event of any discrepancy between this document or information provided at www.dialight.com, the latter shall prevail.

Vigilant® LED High Bay - RCM / CE / UL

Mounting Accessories



HBXW3-SS

- 316 stainless steel swivel bracket



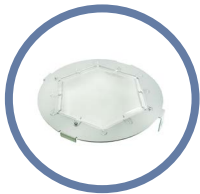
HBXW3-SSL-316M

- 316 stainless steel adjustable locking bracket



HBXCAB48

- 48" long stainless steel safety rope (for use with safety retention tabs)



HBXSBK

- LED High Bay textured flat lens

HBXSBL

- LED High Bay sacrificial flat lens



HBXSBDK

- LED High Bay textured dome lens

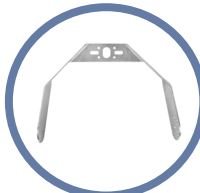
HBXSBDL

- LED High Bay sacrificial dome lens



HBXCG

- Cable gland



HBXW3-SSL-316FTM

- 316 stainless steel forward throw bracket



HBXSB

- 316 stainless steel safety retention tabs (4x)



HBXCU

- Ceiling / wall mount
- UL only

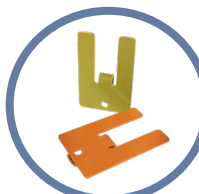


HBXW2

- Aluminum swivel bracket and cable gland

HBXW3

- Aluminum swivel bracket



HBXFLAG-Y
HBXFLAG-O

- Yellow aluminum
- Orange aluminum



HBXH

- Hook
- UL only

Australia

108 Howe Street
Osborne Park, WA 6017
Tel: +61 (0) 8 9244 7600
Fax: +61 (0) 8 9244 7601
info@dialight.com.au

Southeast Asia

33 Ubi Avenue 3
#07-72 Vertex (Tower A)
Singapore 408868
Tel: +65 6578 7157
Fax: +65 6578 7150
enquiry@dialight.com.sg

WARNING / DISCLAIMERS:

Installation & secondary retention. The use of this product without proper installation (including secondary retention / netting) and periodic inspections, could cause severe injury or death. Dialight recommends that all installations should use secondary retention / netting (appropriate to the installation environment) as applicable. Dialight products are intended for ultimate purchase, installation and operation by knowledgeable persons trained in the functional assessment, installation, use and maintenance of such products and all customers (including but not limited to end customers) are responsible for assessing the suitability of Dialight products for any given installation requirement. It is the exclusive responsibility of the contractor, installer and/or end-user to: (a) determine the suitability of the product for its intended application; and, (b) ensure that the product is safely installed (with secondary retention / netting as appropriate) and in compliance with all applicable laws and regulations.

Product specifications & warranties. All product information provided is, to the best of Dialight's knowledge, accurate as of the date of publication. All values and performance data herein are design or typical values when measured under laboratory conditions. The information herein is subject to change without notice. The products / software detailed herein are subject to applicable warranties and terms and conditions of use/purchase. Unless agreed otherwise in writing by an authorized representative of Dialight, Dialight does not represent that its products are fit for any particular purpose and accepts no liability for the installation and/or unauthorised use of its products. When ordering, refer to www.dialight.com for current versions of: (a) relevant product documentation (including relevant product data sheets); (b) Dialight terms and conditions of sale; and, (c) the relevant product warranties. To the extent that any contract is deemed formed between Dialight and the purchaser of Dialight products and/or an end-user, versions of documents available at www.dialight.com as at the date of sale shall be the versions incorporated therein. In the event of any discrepancy between this document and information provided at www.dialight.com, the latter shall prevail.

Exclusion of liability. To the extent permissible under the relevant law, Dialight disclaims all liability for personal injury and/or other damage resulting from any dislodgment or other dislocation of its products. Whilst Dialight has used its reasonable endeavours to ensure the completeness and accuracy of information herein, Dialight does not assume any liability for damages resulting from use of this information or for any third-party representations made in relation to Dialight products.